



Document Object Model (DOM) Level 2 Specification

Version 1.0

W3C Candidate Recommendation *07 March, 2000*

This version:

<http://www.w3.org/TR/2000/CR-DOM-Level-2-20000307>
(PostScript file, PDF file, plain text, ZIP file)

Latest version:

<http://www.w3.org/TR/DOM-Level-2>

Previous versions:

<http://www.w3.org/TR/1999/CR-DOM-Level-2-19991210>
<http://www.w3.org/TR/1999/WD-DOM-Level-2-19990923>

Editors:

Lauren Wood, *SoftQuad Software Inc., chair*
Arnaud Le Hors, *W3C, staff contact (until October 1999)*
Vidur Apparao, *Netscape Communications Corporation*
Laurence Cable, *Sun*
Mike Champion, *Arbortext and Software AG*
Mark Davis, *IBM*
Joe Kesselman, *IBM*
Philippe Le Hégarret, *W3C, staff contact (from November 1999)*
Tom Pixley, *Netscape Communications Corporation*
Jonathan Robie, *Texcel Research and Software AG*
Peter Sharpe, *SoftQuad Software Inc.*
Chris Wilson, *Microsoft*

Copyright © 2000 W3C® (MIT, INRIA, Keio), All Rights Reserved. W3C liability, trademark, document use and software licensing rules apply.

Abstract

This specification defines the Document Object Model Level 2, a platform- and language-neutral interface that allows programs and scripts to dynamically access and update the content, structure and style of documents. The Document Object Model Level 2 builds on the Document Object Model Level 1.

The DOM Level 2 is made of a set of core interfaces to create and manipulate the structure and contents of a document and a set of optional modules. These modules contain specialized interfaces dedicated to XML, HTML, an abstract view, generic stylesheets, Cascading Style Sheets, Events, traversing the document structure, and a Range object.

Status of this document

This specification is still in the Candidate Recommendation phase. This means the specification is stable, and the period to allow implementation of the specification is extended. The new Candidate Recommendation period ends the 20 March 2000.

Comments on this document are invited and are to be sent to the public mailing list www-dom@w3.org. An archive is available at <http://lists.w3.org/Archives/Public/www-dom/>.

Should this specification prove impossible or very difficult to implement, the necessary changes to make it implementable will be made. If this specification is possible to implement, the only changes which will be made to this specification are minor editorial changes and clarifications.

This document has been produced as part of the W3C DOM Activity. The authors of this document are the DOM WG members. Different modules of the Document Object Model have different editors.

A list of current W3C Recommendations and other technical documents can be found at <http://www.w3.org/TR>.

Table of contents

Expanded Table of Contents5
Copyright Notice9
What is the Document Object Model?	13
Chapter 1: Document Object Model Core	19
Chapter 2: Document Object Model HTML	75
Chapter 3: Document Object Model Views	127
Chapter 4: Document Object Model StyleSheets	129
Chapter 5: Document Object Model CSS	135
Chapter 6: Document Object Model Events	221
Chapter 7: Document Object Model Traversal	245
Chapter 8: Document Object Model Range	267
Appendix A: Changes	291
Appendix B: Accessing code point boundaries	293
Appendix C: IDL Definitions	295
Appendix D: Java Language Binding	333
Appendix E: ECMA Script Language Binding	397
Acknowledgments	447

Table of contents

Glossary	449
References	455
Objects Index	457
Index	461

Table of contents

Expanded Table of Contents

Expanded Table of Contents5
Copyright Notice9
W3C Document Copyright Notice and License9
W3C Software Copyright Notice and License	10
What is the Document Object Model?	13
Introduction	13
What the Document Object Model is	13
What the Document Object Model is not	15
Where the Document Object Model came from	15
Entities and the DOM Core	15
Compliance	16
DOM Interfaces and DOM Implementations	17
Chapter 1: Document Object Model Core	19
1.1. Overview of the DOM Core Interfaces	19
1.1.1. The DOM Structure Model	19
1.1.2. Memory Management	20
1.1.3. Naming Conventions	20
1.1.4. Inheritance vs. Flattened Views of the API	21
1.1.5. The DOMString type	21
1.1.6. The DOMTimeStamp type	22
1.1.7. String comparisons in the DOM	22
1.1.8. XML Namespaces	23
1.2. Fundamental Interfaces	24
1.3. Extended Interfaces	69
Chapter 2: Document Object Model HTML	75
2.1. Introduction	75
2.2. HTML Application of Core DOM	76
2.2.1. Naming Conventions	76
2.3. Miscellaneous Object Definitions	76
2.4. Objects related to HTML documents	78
2.5. HTML Elements	81
2.5.1. Property Attributes	81
2.5.2. Naming Exceptions	82
2.5.3. Exposing Element Type Names (tagName)	82
2.5.4. The HTMLInputElement interface	82
2.5.5. Object definitions	83
Chapter 3: Document Object Model Views	127
3.1. Introduction	127
3.2. Interfaces	127
Chapter 4: Document Object Model StyleSheets	129

4.1. Introduction	129
4.2. Style Sheet Interfaces	129
4.3. Document Extensions	133
4.4. Association between a style sheet and a document.	134
Chapter 5: Document Object Model CSS	135
5.1. Overview of the DOM Level 2 CSS Interfaces	135
5.2. CSS Fundamental Interfaces	135
5.2.1. Override and computed style sheet	158
5.2.2. Style sheet creation	160
5.2.3. Element with CSS inline style	161
5.3. CSS Extended Interfaces	161
Chapter 6: Document Object Model Events	221
6.1. Overview of the DOM Level 2 Event Model	221
6.1.1. Terminology	221
6.2. Description of event flow	222
6.2.1. Basic event flow	222
6.2.2. Event capture	222
6.2.3. Event bubbling	223
6.2.4. Event cancelation	223
6.3. Event listener registration	224
6.3.1. Event registration interfaces	224
6.3.2. Interaction with HTML 4.0 event listeners	227
6.4. Event interface	227
6.5. DocumentEvent interface	231
6.6. Event set definitions	232
6.6.1. User Interface event types	232
6.6.2. Mouse event types	234
6.6.3. Key events	238
6.6.4. Mutation event types	238
6.6.5. HTML event types	242
Chapter 7: Document Object Model Traversal	245
7.1. Overview	245
7.1.1. Iterators	245
7.1.2. Filters	249
7.1.3. TreeWalker	251
7.2. Formal Interface Definition	254
Chapter 8: Document Object Model Range	267
8.1. Introduction	267
8.2. Definitions and Notation	267
8.2.1. Position	267
8.2.2. Selection and Partial Selection	269
8.2.3. Notation	269
8.3. Creating a Range	270

8.4. Changing a Range's Position	270
8.5. Comparing Range Boundary-Points	271
8.6. Deleting Content with a Range	272
8.7. Extracting Content	273
8.8. Cloning Content	273
8.9. Inserting Content	273
8.10. Surrounding Content	274
8.11. Miscellaneous Members	274
8.12. Range modification under document mutation	275
8.12.1. Insertions	275
8.12.2. Deletions	276
8.13. Formal Description of the Range Interface	278
Appendix A: Changes	291
A.1. Changes between DOM Level 1 and DOM Level 2	291
A.1.1. Changes to DOM Level 1 interfaces and exceptions	291
A.1.2. New features	291
Appendix B: Accessing code point boundaries	293
B.1. Introduction	293
B.2. Methods	293
Appendix C: IDL Definitions	295
C.1. Document Object Model Core	295
C.2. Document Object Model HTML	300
C.3. Document Object Model Views	310
C.4. Document Object Model StyleSheets	310
C.5. Document Object Model CSS	311
C.6. Document Object Model Events	325
C.7. Document Object Model Traversal	327
C.8. Document Object Model Range	329
Appendix D: Java Language Binding	333
D.1. Document Object Model Core	333
D.2. Document Object Model HTML	341
D.3. Document Object Model Views	366
D.4. Document Object Model StyleSheets	366
D.5. Document Object Model CSS	367
D.6. Document Object Model Events	388
D.7. Document Object Model Traversal	391
D.8. Document Object Model Range	393
Appendix E: ECMA Script Language Binding	397
E.1. Document Object Model Core	397
E.2. Document Object Model HTML	403
E.3. Document Object Model Views	423
E.4. Document Object Model StyleSheets	424
E.5. Document Object Model CSS	425

Expanded Table of Contents

E.6. Document Object Model Events	440
E.7. Document Object Model Traversal	443
E.8. Document Object Model Range	444
Acknowledgments	447
Glossary	449
References	455
Objects Index	457
Index	461

Copyright Notice

Copyright © 2000 World Wide Web Consortium, (Massachusetts Institute of Technology, Institut National de Recherche en Informatique et en Automatique, Keio University). All Rights Reserved.

This document is published under the W3C Document Copyright Notice and License [p.9] . The bindings within this document are published under the W3C Software Copyright Notice and License [p.10] . The software license requires "Notice of any changes or modifications to the W3C files, including the date changes were made." Consequently, modified versions of the DOM bindings must document that they do not conform to the W3C standard; in the case of the IDL binding, the pragma prefix can no longer be 'w3c.org'; in the case of the Java binding, the package names can no longer be in the 'org.w3c' package.

W3C Document Copyright Notice and License

Note: This section is a copy of the W3C Document Notice and License and could found be at <http://www.w3.org/Consortium/Legal/copyright-documents-19990405>.

Copyright © 1994-2000 World Wide Web Consortium, (Massachusetts Institute of Technology, Institut National de Recherche en Informatique et en Automatique, Keio University). All Rights Reserved.

<http://www.w3.org/Consortium/Legal/>

Public documents on the W3C site are provided by the copyright holders under the following license. The software or Document Type Definitions (DTDs) associated with W3C specifications are governed by the Software Notice. By using and/or copying this document, or the W3C document from which this statement is linked, you (the licensee) agree that you have read, understood, and will comply with the following terms and conditions:

Permission to use, copy, and distribute the contents of this document, or the W3C document from which this statement is linked, in any medium for any purpose and without fee or royalty is hereby granted, provided that you include the following on *ALL* copies of the document, or portions thereof, that you use:

1. A link or URL to the original W3C document.
2. The pre-existing copyright notice of the original author, or if it doesn't exist, a notice of the form: "Copyright © [date-of-document] World Wide Web Consortium, (Massachusetts Institute of Technology, Institut National de Recherche en Informatique et en Automatique, Keio University). All Rights Reserved. <http://www.w3.org/Consortium/Legal/>" (Hypertext is preferred, but a textual representation is permitted.)
3. *If it exists*, the STATUS of the W3C document.

When space permits, inclusion of the full text of this **NOTICE** should be provided. We request that authorship attribution be provided in any software, documents, or other items or products that you create pursuant to the implementation of the contents of this document, or any portion thereof.

No right to create modifications or derivatives of W3C documents is granted pursuant to this license. However, if additional requirements (documented in the Copyright FAQ) are satisfied, the right to create modifications or derivatives is sometimes granted by the W3C to individuals complying with those requirements.

THIS DOCUMENT IS PROVIDED "AS IS," AND COPYRIGHT HOLDERS MAKE NO REPRESENTATIONS OR WARRANTIES, EXPRESS OR IMPLIED, INCLUDING, BUT NOT LIMITED TO, WARRANTIES OF MERCHANTABILITY, FITNESS FOR A PARTICULAR PURPOSE, NON-INFRINGEMENT, OR TITLE; THAT THE CONTENTS OF THE DOCUMENT ARE SUITABLE FOR ANY PURPOSE; NOR THAT THE IMPLEMENTATION OF SUCH CONTENTS WILL NOT INFRINGE ANY THIRD PARTY PATENTS, COPYRIGHTS, TRADEMARKS OR OTHER RIGHTS.

COPYRIGHT HOLDERS WILL NOT BE LIABLE FOR ANY DIRECT, INDIRECT, SPECIAL OR CONSEQUENTIAL DAMAGES ARISING OUT OF ANY USE OF THE DOCUMENT OR THE PERFORMANCE OR IMPLEMENTATION OF THE CONTENTS THEREOF.

The name and trademarks of copyright holders may NOT be used in advertising or publicity pertaining to this document or its contents without specific, written prior permission. Title to copyright in this document will at all times remain with copyright holders.

W3C Software Copyright Notice and License

Note: This section is a copy of the W3C Software Copyright Notice and License and could be found at <http://www.w3.org/Consortium/Legal/copyright-software-19980720>

Copyright © 1994-2000 World Wide Web Consortium, (Massachusetts Institute of Technology, Institut National de Recherche en Informatique et en Automatique, Keio University). All Rights Reserved.

<http://www.w3.org/Consortium/Legal/>

This W3C work (including software, documents, or other related items) is being provided by the copyright holders under the following license. By obtaining, using and/or copying this work, you (the licensee) agree that you have read, understood, and will comply with the following terms and conditions:

Permission to use, copy, and modify this software and its documentation, with or without modification, for any purpose and without fee or royalty is hereby granted, provided that you include the following on ALL copies of the software and documentation or portions thereof, including modifications, that you make:

1. The full text of this NOTICE in a location viewable to users of the redistributed or derivative work.
2. Any pre-existing intellectual property disclaimers. If none exist, then a notice of the following form: "Copyright © [Date-of-software] World Wide Web Consortium, (Massachusetts Institute of Technology, Institut National de Recherche en Informatique et en Automatique, Keio University). All Rights Reserved. <http://www.w3.org/Consortium/Legal/>."
3. Notice of any changes or modifications to the W3C files, including the date changes were made. (We

recommend you provide URIs to the location from which the code is derived.)

THIS SOFTWARE AND DOCUMENTATION IS PROVIDED "AS IS," AND COPYRIGHT HOLDERS MAKE NO REPRESENTATIONS OR WARRANTIES, EXPRESS OR IMPLIED, INCLUDING BUT NOT LIMITED TO, WARRANTIES OF MERCHANTABILITY OR FITNESS FOR ANY PARTICULAR PURPOSE OR THAT THE USE OF THE SOFTWARE OR DOCUMENTATION WILL NOT INFRINGE ANY THIRD PARTY PATENTS, COPYRIGHTS, TRADEMARKS OR OTHER RIGHTS.

COPYRIGHT HOLDERS WILL NOT BE LIABLE FOR ANY DIRECT, INDIRECT, SPECIAL OR CONSEQUENTIAL DAMAGES ARISING OUT OF ANY USE OF THE SOFTWARE OR DOCUMENTATION.

The name and trademarks of copyright holders may NOT be used in advertising or publicity pertaining to the software without specific, written prior permission. Title to copyright in this software and any associated documentation will at all times remain with copyright holders.

What is the Document Object Model?

Editors

Jonathan Robie, Software AG

Introduction

The Document Object Model (DOM) is an application programming interface (API) for HTML and XML documents. It defines the logical structure of documents and the way a document is accessed and manipulated. In the DOM specification, the term "document" is used in the broad sense - increasingly, XML is being used as a way of representing many different kinds of information that may be stored in diverse systems, and much of this would traditionally be seen as data rather than as documents. Nevertheless, XML presents this data as documents, and the DOM may be used to manage this data.

With the Document Object Model, programmers can build documents, navigate their structure, and add, modify, or delete elements and content. Anything found in an HTML or XML document can be accessed, changed, deleted, or added using the Document Object Model, with a few exceptions - in particular, the DOM interfaces for the XML internal and external subsets have not yet been specified.

As a W3C specification, one important objective for the Document Object Model is to provide a standard programming interface that can be used in a wide variety of environments and applications. The DOM is designed to be used with any programming language. In order to provide a precise, language-independent specification of the DOM interfaces, we have chosen to define the specifications in Object Management Group (OMG) IDL, as defined in the CORBA 2.2 specification [CORBA]. In addition to the OMG IDL specification, we provide language bindings for Java and ECMAScript (an industry-standard scripting language based on JavaScript and JScript) [Java] [ECMAScript].

Note: OMG IDL is used only as a language-independent and implementation-neutral way to specify interfaces. Various other IDLs could have been used. In general, IDLs are designed for specific computing environments. The Document Object Model can be implemented in any computing environment, and does not require the object binding runtimes generally associated with such IDLs.

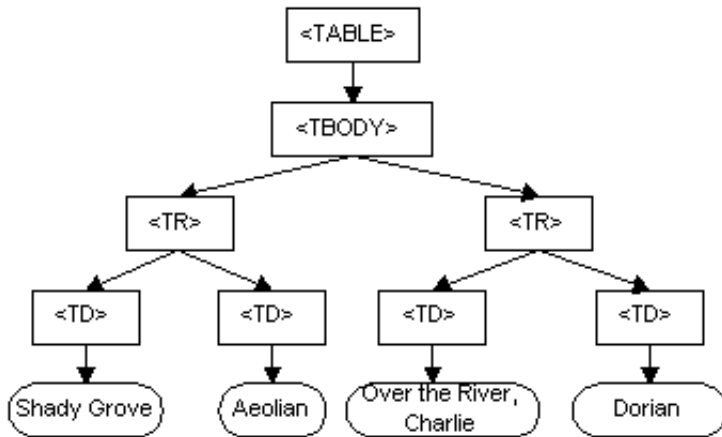
What the Document Object Model is

The DOM is a programming API for documents. It is based on an object structure that closely resembles the structure of the documents it models. For instance, consider this table, taken from an HTML document:

```
<TABLE>
<TBODY>
<TR>
<TD>Shady Grove</TD>
<TD>Aeolian</TD>
</TR>
<TR>
<TD>Over the River, Charlie</TD>
```

```
<TD>Dorian</TD>
</TR>
</TBODY>
</TABLE>
```

The DOM represents this table like this:



DOM representation of the example table

In the DOM, documents have a logical structure which is very much like a tree; to be more precise, which is like a "forest" or "grove", which can contain more than one tree. Each document contains zero or one doctype nodes, one root element node, and zero or more comments or processing instructions; the root element serves as the root of the element tree for the document. However, the DOM does not specify that documents must be *implemented* as a tree or a grove, nor does it specify how the relationships among objects be implemented. The DOM is a logical model that may be implemented in any convenient manner. In this specification, we use the term *structure model* to describe the tree-like representation of a document. We also use the term "tree" when referring to the arrangement of those information items which can be reached by using "tree-walking" methods; (this does not include attributes). One important property of DOM structure models is *structural isomorphism*: if any two Document Object Model implementations are used to create a representation of the same document, they will create the same structure model, in accordance with the XML Information Set [Infoset].

Note: There may be some variations depending on the parser being used to build the DOM. For instance, the DOM may not contain whitespaces in element content if the parser discards them.

The name "Document Object Model" was chosen because it is an "object model" in the traditional object oriented design sense: documents are modeled using objects, and the model encompasses not only the structure of a document, but also the behavior of a document and the objects of which it is composed. In other words, the nodes in the above diagram do not represent a data structure, they represent objects, which have functions and identity. As an object model, the DOM identifies:

- the interfaces and objects used to represent and manipulate a document
- the semantics of these interfaces and objects - including both behavior and attributes
- the relationships and collaborations among these interfaces and objects

The structure of SGML documents has traditionally been represented by an abstract data model, not by an object model. In an abstract data model, the model is centered around the data. In object oriented programming languages, the data itself is encapsulated in objects that hide the data, protecting it from direct external manipulation. The functions associated with these objects determine how the objects may be manipulated, and they are part of the object model.

What the Document Object Model is not

This section is designed to give a more precise understanding of the DOM by distinguishing it from other systems that may seem to be like it.

- The Document Object Model is not a binary specification. DOM programs written in the same language binding will be source code compatible across platforms, but the DOM does not define any form of binary interoperability.
- The Document Object Model is not a way of persisting objects to XML or HTML. Instead of specifying how objects may be represented in XML, the DOM specifies how XML and HTML documents are represented as objects, so that they may be used in object oriented programs.
- The Document Object Model is not a set of data structures; it is an object model that specifies interfaces. Although this document contains diagrams showing parent/child relationships, these are logical relationships defined by the programming interfaces, not representations of any particular internal data structures.
- The Document Object Model does not define what information in a document is relevant or how information in a document is structured. For XML, this is specified by the W3C XML Information Set [Infoset]. The DOM is simply an API to this information set.
- The Document Object Model, despite its name, is not a competitor to the Component Object Model (COM). COM, like CORBA, is a language independent way to specify interfaces and objects; the DOM is a set of interfaces and objects designed for managing HTML and XML documents. The DOM may be implemented using language-independent systems like COM or CORBA; it may also be implemented using language-specific bindings like the Java or ECMAScript bindings specified in this document.

Where the Document Object Model came from

The DOM originated as a specification to allow JavaScript scripts and Java programs to be portable among Web browsers. "Dynamic HTML" was the immediate ancestor of the Document Object Model, and it was originally thought of largely in terms of browsers. However, when the DOM Working Group was formed at W3C, it was also joined by vendors in other domains, including HTML or XML editors and document repositories. Several of these vendors had worked with SGML before XML was developed; as a result, the DOM has been influenced by SGML Groves and the HyTime standard. Some of these vendors had also developed their own object models for documents in order to provide an API for SGML/XML editors or document repositories, and these object models have also influenced the DOM.

Entities and the DOM Core

In the fundamental DOM interfaces, there are no objects representing entities. Numeric character references, and references to the pre-defined entities in HTML and XML, are replaced by the single character that makes up the entity's replacement. For example, in:

```
<p>This is a dog &amp; a cat</p>
```

the "&" will be replaced by the character "&", and the text in the P element will form a single continuous sequence of characters. Since numeric character references and pre-defined entities are not recognized as such in CDATA sections, or in the SCRIPT and STYLE elements in HTML, they are not replaced by the single character they appear to refer to. If the example above were enclosed in a CDATA section, the "&" would not be replaced by "&"; neither would the <p> be recognized as a start tag. The representation of general entities, both internal and external, are defined within the extended (XML) interfaces of DOM Level 1 [DOM-Level-1].

Note: When a DOM representation of a document is serialized as XML or HTML text, applications will need to check each character in text data to see if it needs to be escaped using a numeric or pre-defined entity. Failing to do so could result in invalid HTML or XML. Also, implementations should be aware of the fact that serialization into a character encoding ("charset") that does not fully cover ISO 10646 may fail if there are characters in markup or CDATA sections that are not present in the encoding.

Compliance

The Document Object Model level 2 consists of several modules: Core, HTML, Views, StyleSheets, CSS, Events, Traversal, and Range. The DOM Core represents the functionality used for XML documents, and also serves as the basis for DOM HTML.

A compliant implementation of the DOM must implement all of the fundamental interfaces in the Core chapter with the semantics as defined. Further, it must implement at least one of the HTML DOM and the extended (XML) interfaces with the semantics as defined. The other modules are optional.

A DOM application can use the `hasFeature` method of the `DOMImplementation` [p.26] interface to determine whether the module is supported or not. The feature strings for all modules in DOM Level 2 are listed in the following table; (strings are case-insensitive):

Module	Feature String
XML	XML
HTML	HTML
Views	Views
StyleSheets	StyleSheets
CSS	CSS
CSS (extended interfaces)	CSS2
Events	Events
User Interface Events (UIEvent [p.232] interface)	UIEvents
Mouse Events (MouseEvent [p.234] interface)	MouseEvent
Mutation Events (MutationEvent [p.239] interface)	MutationEvents
HTML Events	HTMLEvents
Traversal	Traversal
Range	Range

The following table contains all dependencies between modules:

Module	Implies
Views	XML or HTML
StyleSheets	StyleSheets and XML or HTML
CSS	StyleSheets, Views and XML or HTML
CSS2	CSS, StyleSheets, Views and XML or HTML
Events	XML or HTML
UIEvents	Views, Events and XML or HTML
MouseEvent	UIEvents, Views, Events and XML or HTML
MutationEvents	Events and XML or HTML
HTMLEvents	Events and XML or HTML

DOM Interfaces and DOM Implementations

The DOM specifies interfaces which may be used to manage XML or HTML documents. It is important to realize that these interfaces are an abstraction - much like "abstract base classes" in C++, they are a means of specifying a way to access and manipulate an application's internal representation of a document. Interfaces do not imply a particular concrete implementation. Each DOM application is free to maintain documents in any convenient representation, as long as the interfaces shown in this specification are supported. Some DOM implementations will be existing programs that use the DOM interfaces to access software written long before the DOM specification existed. Therefore, the DOM is designed to avoid implementation dependencies; in particular,

1. Attributes defined in the IDL do not imply concrete objects which must have specific data members - in the language bindings, they are translated to a pair of get()/set() functions, not to a data member. Read-only attributes have only a get() function in the language bindings.
2. DOM applications may provide additional interfaces and objects not found in this specification and still be considered DOM compliant.
3. Because we specify interfaces and not the actual objects that are to be created, the DOM cannot know what constructors to call for an implementation. In general, DOM users call the createX() methods on the Document class to create document structures, and DOM implementations create their own internal representations of these structures in their implementations of the createX() functions.

The Level 1 interfaces were extended to provide both Level 1 and Level 2 functionality.

DOM implementations in languages other than Java or ECMA Script may choose bindings that are appropriate and natural for their language and run time environment. For example, some systems may need to create a Document2 class which inherits from Document and contains the new methods and attributes.

1. Document Object Model Core

Editors

Arnaud Le Hors, W3C
 Mike Champion, ArborText (for DOM Level 1 from November 20, 1997)
 Steve Byrne, JavaSoft (for DOM Level 1 until November 19, 1997)
 Gavin Nicol, Inso EPS (for DOM Level 1)
 Lauren Wood, SoftQuad, Inc. (for DOM Level 1)

1.1. Overview of the DOM Core Interfaces

This section defines a set of objects and interfaces for accessing and manipulating document objects. The functionality specified in this section (the *Core* functionality) is sufficient to allow software developers and web script authors to access and manipulate parsed HTML and XML content inside conforming products. The DOM Core API also allows creation and population of a `Document` [p.29] object using only DOM API calls; loading a `Document` and saving it persistently is left to the product that implements the DOM API.

1.1.1. The DOM Structure Model

The DOM presents documents as a hierarchy of `Node` [p.39] objects that also implement other, more specialized interfaces. Some types of nodes may have child nodes of various types, and others are leaf nodes that cannot have anything below them in the document structure. For XML and HTML, the node types, and which node types they may have as children, are as follows:

- `Document` [p.29] -- `Element` [p.59] (maximum of one), `ProcessingInstruction` [p.73], `Comment` [p.68], `DocumentType` [p.69] (maximum of one)
- `DocumentFragment` [p.29] -- `Element` [p.59], `ProcessingInstruction` [p.73], `Comment` [p.68], `Text` [p.67], `CDATASection` [p.69], `EntityReference` [p.72]
- `DocumentType` [p.69] -- no children
- `EntityReference` [p.72] -- `Element` [p.59], `ProcessingInstruction` [p.73], `Comment` [p.68], `Text` [p.67], `CDATASection` [p.69], `EntityReference`
- `Element` [p.59] -- `Element`, `Text` [p.67], `Comment` [p.68], `ProcessingInstruction` [p.73], `CDATASection` [p.69], `EntityReference` [p.72]
- `Attr` [p.57] -- `Text` [p.67], `EntityReference` [p.72]
- `ProcessingInstruction` [p.73] -- no children
- `Comment` [p.68] -- no children
- `Text` [p.67] -- no children
- `CDATASection` [p.69] -- no children
- `Entity` [p.71] -- `Element` [p.59], `ProcessingInstruction` [p.73], `Comment` [p.68], `Text` [p.67], `CDATASection` [p.69], `EntityReference` [p.72]
- `Notation` [p.71] -- no children

The DOM also specifies a `NodeList` [p.48] interface to handle ordered lists of `Nodes` [p.39], such as the children of a `Node` [p.39], or the elements returned by the `getElementsByTagName` method of the `Element` [p.59] interface, and also a `NamedNodeMap` [p.49] interface to handle unordered sets of nodes referenced by their name attribute, such as the attributes of an `Element`. `NodeList` [p.48] and `NamedNodeMap` [p.49] objects in the DOM are *live*; that is, changes to the underlying document structure are reflected in all relevant `NodeList` and `NamedNodeMap` objects. For example, if a DOM user gets a `NodeList` object containing the children of an `Element` [p.59], then subsequently adds more children to that element (or removes children, or modifies them), those changes are automatically reflected in the `NodeList`, without further action on the user's part. Likewise, changes to a `Node` [p.39] in the tree are reflected in all references to that `Node` in `NodeList` and `NamedNodeMap` objects.

Finally, the interfaces `Text` [p.67], `Comment` [p.68], and `CDATASection` [p.69] all inherit from the `CharacterData` [p.53] interface.

1.1.2. Memory Management

Most of the APIs defined by this specification are *interfaces* rather than classes. That means that an implementation need only expose methods with the defined names and specified operation, not implement classes that correspond directly to the interfaces. This allows the DOM APIs to be implemented as a thin veneer on top of legacy applications with their own data structures, or on top of newer applications with different class hierarchies. This also means that ordinary constructors (in the Java or C++ sense) cannot be used to create DOM objects, since the underlying objects to be constructed may have little relationship to the DOM interfaces. The conventional solution to this in object-oriented design is to define *factory* methods that create instances of objects that implement the various interfaces. Objects implementing some interface "X" are created by a "createX()" method on the `Document` [p.29] interface; this is because all DOM objects live in the context of a specific `Document`.

The DOM Level 2 API does *not* define a standard way to create `DOMImplementation` [p.26] objects; DOM implementations must provide some proprietary way of bootstrapping these DOM interfaces, and then all other objects can be built from there.

The Core DOM APIs are designed to be compatible with a wide range of languages, including both general-user scripting languages and the more challenging languages used mostly by professional programmers. Thus, the DOM APIs need to operate across a variety of memory management philosophies, from language bindings that do not expose memory management to the user at all, through those (notably Java) that provide explicit constructors but provide an automatic garbage collection mechanism to automatically reclaim unused memory, to those (especially C/C++) that generally require the programmer to explicitly allocate object memory, track where it is used, and explicitly free it for re-use. To ensure a consistent API across these platforms, the DOM does not address memory management issues at all, but instead leaves these for the implementation. Neither of the explicit language bindings devised by the DOM Working Group (for ECMAScript and Java) require any memory management methods, but DOM bindings for other languages (especially C or C++) may require such support. These extensions will be the responsibility of those adapting the DOM API to a specific language, not the DOM Working Group.

1.1.3. Naming Conventions

While it would be nice to have attribute and method names that are short, informative, internally consistent, and familiar to users of similar APIs, the names also should not clash with the names in legacy APIs supported by DOM implementations. Furthermore, both `OMG IDL` and `ECMAScript` have significant limitations in their ability to disambiguate names from different namespaces that make it difficult to avoid naming conflicts with short, familiar names. So, some DOM names tend to be long and quite descriptive in order to be unique across all environments.

The Working Group has also attempted to be internally consistent in its use of various terms, even though these may not be common distinctions in other APIs. For example, we use the method name "remove" when the method changes the structural model, and the method name "delete" when the method gets rid of something inside the structure model. The thing that is deleted is not returned. The thing that is removed may be returned, when it makes sense to return it.

1.1.4. Inheritance vs. Flattened Views of the API

The DOM Core APIs present two somewhat different sets of interfaces to an XML/HTML document: one presenting an "object oriented" approach with a hierarchy of inheritance, and a "simplified" view that allows all manipulation to be done via the `Node` [p.39] interface without requiring casts (in Java and other C-like languages) or query interface calls in COM environments. These operations are fairly expensive in Java and COM, and the DOM may be used in performance-critical environments, so we allow significant functionality using just the `Node` interface. Because many other users will find the inheritance hierarchy easier to understand than the "everything is a `Node`" approach to the DOM, we also support the full higher-level interfaces for those who prefer a more object-oriented API.

In practice, this means that there is a certain amount of redundancy in the API. The Working Group considers the "inheritance" approach the primary view of the API, and the full set of functionality on `Node` [p.39] to be "extra" functionality that users may employ, but that does not eliminate the need for methods on other interfaces that an object-oriented analysis would dictate. (Of course, when the O-O analysis yields an attribute or method that is identical to one on the `Node` interface, we don't specify a completely redundant one.) Thus, even though there is a generic `nodeName` attribute on the `Node` interface, there is still a `tagName` attribute on the `Element` [p.59] interface; these two attributes must contain the same value, but the Working Group considers it worthwhile to support both, given the different constituencies the DOM API must satisfy.

1.1.5. The `DOMString` type

To ensure interoperability, the DOM specifies the following:

- **Type Definition `DOMString`**

A `DOMString` [p.21] is a sequence of *16-bit units* [p.449] .

IDL Definition

```
typedef sequence<unsigned short> DOMString;
```

- Applications must encode DOMString [p.21] using UTF-16 (defined in [Unicode] and Amendment 1 of [ISO/IEC 10646]).

The UTF-16 encoding was chosen because of its widespread industry practice. Note that for both HTML and XML, the document character set (and therefore the notation of numeric character references) is based on UCS [ISO-10646]. A single numeric character reference in a source document may therefore in some cases correspond to two 16-bit units in a DOMString [p.21] (a high surrogate and a low surrogate).

Note: Even though the DOM defines the name of the string type to be DOMString [p.21], bindings may use different names. For example for Java, DOMString is bound to the String type because it also uses UTF-16 as its encoding.

Note: As of August 1998, the OMG IDL specification included a wstring type. However, that definition did not meet the interoperability criteria of the DOM API since it relied on negotiation to decide the width and encoding of a character.

1.1.6. The DOMTimeStamp type

To ensure interoperability, the DOM specifies the following:

- **Type Definition** *DOMTimeStamp*

A DOMTimeStamp [p.22] represents a number of milliseconds.

IDL Definition

```
typedef unsigned long long DOMTimeStamp;
```

- **Note:** Even though the DOM uses the type DOMTimeStamp [p.22], bindings may use different types. For example for Java, DOMTimeStamp is bound to the long type. In ECMAScript, because TimeStamp is bound to the Date type because the range of the integer type is too small.

1.1.7. String comparisons in the DOM

The DOM has many interfaces that imply string matching. HTML processors generally assume an uppercase (less often, lowercase) normalization of names for such things as elements, while XML is explicitly case sensitive. For the purposes of the DOM, string matching is performed purely by binary comparison of the *16-bit units* [p.449] of the DOMString [p.21]. In addition, the DOM assumes that any case normalizations take place in the processor, *before* the DOM structures are built.

Note: Besides case folding, there are additional normalizations that can be applied to text. The W3C I18N Working Group is in the process of defining exactly which normalizations are necessary, and where they should be applied. The W3C I18N Working Group expects to require early normalization, which means that data read into the DOM is assumed to already be normalized. The DOM and applications built on top of it in this case only have to assure that text remains normalized when being changed. For further details, please see [Charmod].

1.1.8. XML Namespaces

The DOM Level 2 supports XML namespaces [Namespaces] by augmenting several interfaces of the DOM Level 1 Core to allow creating and manipulating elements and attributes associated to a namespace.

As far as the DOM is concerned, special attributes used for declaring XML namespaces are still exposed and can be manipulated just like any other attribute. However, nodes are permanently bound to *namespace URIs* [p.452] as they get created. Consequently, moving a node within a document, using the DOM, in no case results in a change of its *namespace prefix* [p.452] or namespace URI. Similarly, creating a node with a namespace prefix and namespace URI, or changing the namespace prefix of a node, does not result in any addition, removal, or modification of any special attributes for declaring the appropriate XML namespaces. Namespace validation is not enforced; the DOM application is responsible. In particular, since the mapping between prefixes and namespace URIs is not enforced, in general, the resulting document cannot be serialized naively. For example, applications may have to declare every namespace in use when serializing a document.

Note: In the DOM, all namespace declaration attributes are *by definition* bound to the namespace URI: "http://www.w3.org/2000/xmlns/". These are the attributes whose *namespace prefix* [p.452] or *qualified name* [p.452] is "xmlns". Although, at the time of writing, this is not part of the XML Namespaces [Namespaces], it is planned to be incorporated in a future revision.

In a document with no namespaces, the child list of an `EntityReference` [p.72] node is always the same as that of the corresponding `Entity` [p.71]. This is not true in a document where an entity contains unbound *namespace prefixes* [p.452]. In such a case, the descendants of the corresponding `EntityReference` nodes may be bound to different *namespace URIs* [p.452], depending on where the entity references are. Also, because, in the DOM, nodes always remain bound to the same namespace URI, moving such `EntityReference` nodes can lead to documents that cannot be serialized. This is also true when the DOM Level 1 method `createEntityReference` of the `Document` [p.29] interface is used to create entity references that correspond to such entities, since the descendants of the returned `EntityReference` are unbound. The DOM Level 2 does not support any mechanism to resolve namespace prefixes. For all of these reasons, use of such entities and entity references should be avoided or used with extreme care. A future level of the DOM may include some additional support for handling these.

The new methods, such as `createElementNS` and `createAttributeNS` of the `Document` [p.29] interface, are meant to be used by namespace aware applications. Simple applications that do not use namespaces can use the DOM Level 1 methods, such as `createElement` and `createAttribute`. Elements and attributes created in this way do not have any namespace prefix, namespace URI, and local name.

Note: DOM Level 1 methods are namespaces ignorant. Therefore, while it is safe to use these methods when not dealing with namespaces, using them and the new ones at the same time should be avoided. DOM Level 1 methods solely identify attribute nodes by their `nodeName`. On the contrary, the DOM Level 2 methods related to namespaces, identify attribute nodes by their `namespaceURI` and `localName`. Because of this fundamental difference, mixing both sets of methods can lead to unpredictable results. In particular, using `setAttributeNS`, one can set on an element two attributes (or more) that have the same `nodeName`, but different `namespaceURIs`. Calling `getAttribute`

with that `nodeName` could then return any of those attributes. The result is implementation dependent. Similarly, using `setAttributeNode`, one can set two attributes (or more) that have different `nodeNames` but the same prefix and namespaceURI. In this case `getAttributeNodeNS` will return one or the other, in an implementation dependent manner. The only guarantee in such cases, is that `setAttribute` and `setAttributeNS` affect the node that, respectively, `getAttribute` and `getAttributeNS` return.

1.2. Fundamental Interfaces

The interfaces within this section are considered *fundamental*, and must be fully implemented by all conforming implementations of the DOM, including all HTML DOM implementations, unless otherwise specified.

Exception *DOMException*

DOM operations only raise exceptions in "exceptional" circumstances, i.e., when an operation is impossible to perform (either for logical reasons, because data is lost, or because the implementation has become unstable). In general, DOM methods return specific error values in ordinary processing situations, such as out-of-bound errors when using `NodeList` [p.48].

Implementations may raise other exceptions under other circumstances. For example, implementations may raise an implementation-dependent exception if a `null` argument is passed.

Some languages and object systems do not support the concept of exceptions. For such systems, error conditions may be indicated using native error reporting mechanisms. For some bindings, for example, methods may return error codes similar to those listed in the corresponding method descriptions.

IDL Definition

```
exception DOMException {
    unsigned short    code;
};

// ExceptionCode
const unsigned short    INDEX_SIZE_ERR           = 1;
const unsigned short    DOMSTRING_SIZE_ERR      = 2;
const unsigned short    HIERARCHY_REQUEST_ERR   = 3;
const unsigned short    WRONG_DOCUMENT_ERR      = 4;
const unsigned short    INVALID_CHARACTER_ERR   = 5;
const unsigned short    NO_DATA_ALLOWED_ERR     = 6;
const unsigned short    NO_MODIFICATION_ALLOWED_ERR = 7;
const unsigned short    NOT_FOUND_ERR          = 8;
const unsigned short    NOT_SUPPORTED_ERR       = 9;
const unsigned short    INUSE_ATTRIBUTE_ERR     = 10;
// Introduced in DOM Level 2:
const unsigned short    INVALID_STATE_ERR       = 11;
// Introduced in DOM Level 2:
const unsigned short    SYNTAX_ERR             = 12;
// Introduced in DOM Level 2:
const unsigned short    INVALID_MODIFICATION_ERR = 13;
```



```
// Introduced in DOM Level 2:
const unsigned short    NAMESPACE_ERR            = 14;
// Introduced in DOM Level 2:
const unsigned short    INVALID_ACCESS_ERR      = 15;
```

Definition group *ExceptionCode*

An integer indicating the type of error generated.

Note: Other numeric codes are reserved for W3C for possible future use.

Defined Constants

DOMSTRING_SIZE_ERR	If the specified range of text does not fit into a DOMString
HIERARCHY_REQUEST_ERR	If any node is inserted somewhere it doesn't belong
INDEX_SIZE_ERR	If index or size is negative, or greater than the allowed value
INUSE_ATTRIBUTE_ERR	If an attempt is made to add an attribute that is already in use elsewhere
INVALID_ACCESS_ERR	Introduced in DOM Level 2 . If a parameter or an operation is not supported by the underlying object.
INVALID_CHARACTER_ERR	If an invalid or illegal character is specified, such as in a name. See <i>production 2</i> in the XML specification for the definition of a legal character, and <i>production 5</i> for the definition of a legal name character.
INVALID_MODIFICATION_ERR	Introduced in DOM Level 2 . If an attempt is made to modify the type of the underlying object.
INVALID_STATE_ERR	Introduced in DOM Level 2 . If an attempt is made to use an object that is not, or is no longer, usable.
NAMESPACE_ERR	Introduced in DOM Level 2 . If an attempt is made to create or change an object in a way which is incorrect with regard to namespaces.

NOT_FOUND_ERR	If an attempt is made to reference a node in a context where it does not exist
NOT_SUPPORTED_ERR	If the implementation does not support the type of object requested
NO_DATA_ALLOWED_ERR	If data is specified for a node which does not support data
NO_MODIFICATION_ALLOWED_ERR	If an attempt is made to modify an object where modifications are not allowed
SYNTAX_ERR	Introduced in DOM Level 2 . If an invalid or illegal string is specified.
WRONG_DOCUMENT_ERR	If a node is used in a different document than the one that created it (that doesn't support it)

Interface *DOMImplementation*

The *DOMImplementation* interface provides a number of methods for performing operations that are independent of any particular instance of the document object model.

IDL Definition

```
interface DOMImplementation {
    boolean          hasFeature(in DOMString feature,
                               in DOMString version);
    // Introduced in DOM Level 2:
    DocumentType    createDocumentType(in DOMString qualifiedName,
                                       in DOMString publicId,
                                       in DOMString systemId)
                                       raises(DOMException);
    // Introduced in DOM Level 2:
    Document        createDocument(in DOMString namespaceURI,
                                   in DOMString qualifiedName,
                                   in DocumentType doctype)
                                   raises(DOMException);
};
```

Methods

createDocument introduced in **DOM Level 2**

Creates an XML Document [p.29] object of the specified type with its document element. HTML-only DOM implementations do not need to implement this method.

Parameters

DOMString [p.21]	namespaceURI	The <i>namespace URI</i> [p.452] of the document element to create, or null.
DOMString	qualifiedName	The <i>qualified name</i> [p.452] of the document element to be created.
DocumentType [p.69]	doctype	The type of document to be created or null. When <code>doctype</code> is not null, its <code>Node.ownerDocument</code> attribute is set to the document being created.

Return Value

Document [p.29]	A new Document object.
-----------------	------------------------

Exceptions

DOMException [p.24]	<p>INVALID_CHARACTER_ERR: Raised if the specified qualified name contains an illegal character.</p> <p>NAMESPACE_ERR: Raised if the <code>qualifiedName</code> is malformed, or if the <code>qualifiedName</code> has a prefix that is "xml" and the <code>namespaceURI</code> is different from "http://www.w3.org/XML/1998/namespace".</p> <p>WRONG_DOCUMENT_ERR: Raised if <code>doctype</code> has already been used with a different document.</p>
------------------------	---

`createDocumentType` introduced in **DOM Level 2**

Creates an empty `DocumentType` [p.69] node. Entity declarations and notations are not made available. Entity reference expansions and default attribute additions do not occur. It is expected that a future version of the DOM will provide a way for populating a `DocumentType`.

HTML-only DOM implementations do not need to implement this method.

Parameters

DOMString [p.21]	qualifiedName	The <i>qualified name</i> [p.452] of the document type to be created.
DOMString	publicId	The external subset public identifier.
DOMString	systemId	The external subset system identifier.

Return Value

DocumentType [p.69]	A new DocumentType node with Node.ownerDocument set to null.
------------------------	--

Exceptions

DOMException [p.24]	INVALID_CHARACTER_ERR: Raised if the specified qualified name contains an illegal character.
	NAMESPACE_ERR: Raised if the qualifiedName is malformed.

hasFeature

Test if the DOM implementation implements a specific feature.

Parameters

DOMString [p.21]	feature	The name of the feature to test (case-insensitive). The legal values are defined throughout this specification and listed in the Compliance [p.16] section. The name must be an <i>XML name</i> [p.453]. To avoid possible conflicts, as a convention, names referring to features defined outside the DOM spec should be made unique by reversing the name of the Internet domain name of the person (or the organization that person belongs to) who defines the feature, component by component, and use this as a prefix. For instance, the W3C SYMM Working Group defines the feature "org.w3c.dom.smil".
DOMString	version	This is the version number of the feature to test. In Level 2, this is the string "2.0". If the version is not specified, supporting any version of the feature causes the method to return true.

Return Value

`boolean` `true` if the feature is implemented in the specified version, `false` otherwise.

No Exceptions**Interface *DocumentFragment***

`DocumentFragment` is a "lightweight" or "minimal" `Document` [p.29] object. It is very common to want to be able to extract a portion of a document's tree or to create a new fragment of a document. Imagine implementing a user command like cut or rearranging a document by moving fragments around. It is desirable to have an object which can hold such fragments and it is quite natural to use a `Node` for this purpose. While it is true that a `Document` object could fulfill this role, a `Document` object can potentially be a heavyweight object, depending on the underlying implementation. What is really needed for this is a very lightweight object. `DocumentFragment` is such an object.

Furthermore, various operations -- such as inserting nodes as children of another `Node` [p.39] -- may take `DocumentFragment` objects as arguments; this results in all the child nodes of the `DocumentFragment` being moved to the child list of this node.

The children of a `DocumentFragment` node are zero or more nodes representing the tops of any sub-trees defining the structure of the document. `DocumentFragment` nodes do not need to be well-formed XML documents (although they do need to follow the rules imposed upon well-formed XML parsed entities, which can have multiple top nodes). For example, a `DocumentFragment` might have only one child and that child node could be a `Text` [p.67] node. Such a structure model represents neither an HTML document nor a well-formed XML document.

When a `DocumentFragment` is inserted into a `Document` [p.29] (or indeed any other `Node` [p.39] that may take children) the children of the `DocumentFragment` and not the `DocumentFragment` itself are inserted into the `Node`. This makes the `DocumentFragment` very useful when the user wishes to create nodes that are siblings; the `DocumentFragment` acts as the parent of these nodes so that the user can use the standard methods from the `Node` interface, such as `insertBefore` and `appendChild`.

IDL Definition

```
interface DocumentFragment : Node {
};
```

Interface *Document*

The `Document` interface represents the entire HTML or XML document. Conceptually, it is the root of the document tree, and provides the primary access to the document's data.

Since elements, text nodes, comments, processing instructions, etc. cannot exist outside the context of a `Document`, the `Document` interface also contains the factory methods needed to create these objects. The `Node` [p.39] objects created have a `ownerDocument` attribute which associates them

with the Document within whose context they were created.

IDL Definition

```
interface Document : Node {
  readonly attribute DocumentType      doctype;
  readonly attribute DOMImplementation implementation;
  readonly attribute Element           documentElement;
  Element                             createElement(in DOMString tagName)
                                       raises(DOMException);
  DocumentFragment                    createDocumentFragment();
  Text                                 createTextNode(in DOMString data);
  Comment                              createComment(in DOMString data);
  CDATASection                        createCDATASection(in DOMString data)
                                       raises(DOMException);
  ProcessingInstruction                createProcessingInstruction(in DOMString target,
                                                                in DOMString data)
                                       raises(DOMException);
  Attr                                 createAttribute(in DOMString name)
                                       raises(DOMException);
  EntityReference                      createEntityReference(in DOMString name)
                                       raises(DOMException);
  NodeList                             getElementsByTagName(in DOMString tagname);
  // Introduced in DOM Level 2:
  Node                                 importNode(in Node importedNode,
                                                in boolean deep)
                                       raises(DOMException);
  // Introduced in DOM Level 2:
  Element                              createElementNS(in DOMString namespaceURI,
                                                       in DOMString qualifiedName)
                                       raises(DOMException);
  // Introduced in DOM Level 2:
  Attr                                 createAttributeNS(in DOMString namespaceURI,
                                                       in DOMString qualifiedName)
                                       raises(DOMException);
  // Introduced in DOM Level 2:
  NodeList                             getElementsByTagNameNS(in DOMString namespaceURI,
                                                            in DOMString localName);
  // Introduced in DOM Level 2:
  Element                              getElementById(in DOMString elementId);
};
```

Attributes

doctype of type DocumentType [p.69] , readonly

The Document Type Declaration (see DocumentType [p.69]) associated with this document. For HTML documents as well as XML documents without a document type declaration this returns null. The DOM Level 2 does not support editing the Document Type Declaration, therefore docType cannot be altered in any way, including through the use of methods, such as insertNode or removeNode, inherited from Node [p.39] .

documentElement of type Element [p.59] , readonly

This is a convenience attribute that allows direct access to the child node that is the root element of the document. For HTML documents, this is the element with the tagName "HTML".

implementation of type `DOMImplementation` [p.26] , readonly

The `DOMImplementation` [p.26] object that handles this document. A DOM application may use objects from multiple implementations.

Methods

`createAttribute`

Creates an `Attr` [p.57] of the given name. Note that the `Attr` instance can then be set on an `Element` [p.59] using the `setAttributeNode` method.

To create an attribute with a qualified name and namespace URI, use the `createAttributeNS` method.

Parameters

<code>DOMString</code> [p.21]	<code>name</code>	The name of the attribute.
-------------------------------	-------------------	----------------------------

Return Value

<code>Attr</code> [p.57]	A new <code>Attr</code> object with the <code>nodeName</code> attribute set to <code>name</code> , and <code>localName</code> , <code>prefix</code> , and <code>namespaceURI</code> set to <code>null</code> .
--------------------------	--

Exceptions

<code>DOMException</code> [p.24]	<code>INVALID_CHARACTER_ERR</code> : Raised if the specified name contains an illegal character.
----------------------------------	--

`createAttributeNS` introduced in **DOM Level 2**

Creates an attribute of the given qualified name and namespace URI. HTML-only DOM implementations do not need to implement this method.

Parameters

<code>DOMString</code> [p.21]	<code>namespaceURI</code>	The <i>namespace URI</i> [p.452] of the attribute to create.
<code>DOMString</code>	<code>qualifiedName</code>	The <i>qualified name</i> [p.452] of the attribute to instantiate.

Return Value

Attr
[p.57]

A new Attr object with the following attributes:

Attribute	Value
Node.nodeName	qualifiedName
Node.namespaceURI	namespaceURI
Node.prefix	prefix, extracted from qualifiedName, or null if there is no prefix
Node.localName	<i>local name</i> [p.452], extracted from qualifiedName
Attr.name	qualifiedName

Exceptions

DOMException
[p.24]

INVALID_CHARACTER_ERR: Raised if the specified qualified name contains an illegal character.

NAMESPACE_ERR: Raised if the qualifiedName is malformed, if the qualifiedName has a prefix and the namespaceURI is null or an empty string, if the qualifiedName has a prefix that is "xml" and the namespaceURI is different from "http://www.w3.org/XML/1998/namespace", if the qualifiedName has a prefix that is "xmlns" and the namespaceURI is different from "http://www.w3.org/2000/xmlns/", or if the qualifiedName is "xmlns" and the namespaceURI is different from "http://www.w3.org/2000/xmlns/".

createCDATASection

Creates a CDATASection [p.69] node whose value is the specified string.

Parameters

DOMString [p.21]	data	The data for the CDATASection [p.69] contents.
---------------------	------	--

Return Value

CDATASection [p.69] The new CDATASection object.

Exceptions

<code>DOMException</code> [p.24]	<code>NOT_SUPPORTED_ERR</code> : Raised if this document is an HTML document.
-------------------------------------	---

`createComment`

Creates a `Comment` [p.68] node given the specified string.

Parameters

<code>DOMString</code> [p.21]	<code>data</code>	The data for the node.
-------------------------------	-------------------	------------------------

Return Value

<code>Comment</code> [p.68]	The new <code>Comment</code> object.
-----------------------------	--------------------------------------

No Exceptions`createDocumentFragment`

Creates an empty `DocumentFragment` [p.29] object.

Return Value

<code>DocumentFragment</code> [p.29]	A new <code>DocumentFragment</code> .
--------------------------------------	---------------------------------------

No Parameters**No Exceptions**`createElement`

Creates an element of the type specified. Note that the instance returned implements the `Element` [p.59] interface, so attributes can be specified directly on the returned object. In addition, if there are known attributes with default values, `Attr` [p.57] nodes representing them are automatically created and attached to the element. To create an element with a qualified name and namespace URI, use the `createElementNS` method.

Parameters

<code>DOMString</code> [p.21]	<code>tagName</code>	The name of the element type to instantiate. For XML, this is case-sensitive. For HTML, the <code>tagName</code> parameter may be provided in any case, but it must be mapped to the canonical uppercase form by the DOM implementation.
----------------------------------	----------------------	--

Return Value

Element [p.59] A new Element object with the nodeName attribute set to tagName, and localName, prefix, and namespaceURI set to null.

Exceptions

DOMException [p.24] INVALID_CHARACTER_ERR: Raised if the specified name contains an illegal character.

createElementNS introduced in **DOM Level 2**

Creates an element of the given qualified name and namespace URI. HTML-only DOM implementations do not need to implement this method.

Parameters

DOMString [p.21]	namespaceURI	The <i>namespace URI</i> [p.452] of the element to create.
DOMString	qualifiedName	The <i>qualified name</i> [p.452] of the element type to instantiate.

Return Value

Element [p.59] A new Element object with the following attributes:

Attribute	Value
Node.nodeName	qualifiedName
Node.namespaceURI	namespaceURI
Node.prefix	prefix, extracted from qualifiedName, or null if there is no prefix
Node.localName	<i>local name</i> [p.452], extracted from qualifiedName
Element.tagName	qualifiedName

Exceptions

DOMException [p.24]	<p>INVALID_CHARACTER_ERR: Raised if the specified qualified name contains an illegal character.</p> <p>NAMESPACE_ERR: Raised if the <code>qualifiedName</code> is malformed, if the <code>qualifiedName</code> has a prefix and the <code>namespaceURI</code> is null or an empty string, or if the <code>qualifiedName</code> has a prefix that is "xml" and the <code>namespaceURI</code> is different from "http://www.w3.org/XML/1998/namespace" [Namespaces].</p>
------------------------	--

createEntityReference

Creates an `EntityReference` [p.72] object. In addition, if the referenced entity is known, the child list of the `EntityReference` node is made the same as that of the corresponding `Entity` [p.71] node.

Note: If any descendant of the `Entity` [p.71] node has an unbound *namespace prefix* [p.452], the corresponding descendant of the created `EntityReference` [p.72] node is also unbound; (its `namespaceURI` is null). The DOM Level 2 does not support any mechanism to resolve namespace prefixes.

Parameters

DOMString [p.21]	name	The name of the entity to reference.
------------------	------	--------------------------------------

Return Value

EntityReference [p.72]	The new EntityReference object.
------------------------	---------------------------------

Exceptions

DOMException [p.24]	<p>INVALID_CHARACTER_ERR: Raised if the specified name contains an illegal character.</p> <p>NOT_SUPPORTED_ERR: Raised if this document is an HTML document.</p>
------------------------	--

createProcessingInstruction

Creates a `ProcessingInstruction` [p.73] node given the specified name and data strings.

Parameters

DOMString [p.21]	target	The target part of the processing instruction.
DOMString	data	The data for the node.

Return Value

ProcessingInstruction [p.73]	The new ProcessingInstruction object.
---------------------------------	---------------------------------------

Exceptions

DOMException [p.24]	INVALID_CHARACTER_ERR: Raised if the specified target contains an illegal character.
	NOT_SUPPORTED_ERR: Raised if this document is an HTML document.

`createTextNode`

Creates a Text [p.67] node given the specified string.

Parameters

DOMString [p.21]	data	The data for the node.
------------------	------	------------------------

Return Value

Text [p.67]	The new Text object.
-------------	----------------------

No Exceptions`getElementById` introduced in **DOM Level 2**

Returns the Element [p.59] whose ID is given by `elementId`. If no such element exists, returns `null`. Behavior is not defined if more than one element has this ID.

Note: The DOM implementation must have information that says which attributes are of type ID. Attributes with the name "ID" are not of type ID unless so defined.

Implementations that do not know whether attributes are of type ID or not are expected to return `null`.

Parameters

DOMString [p.21]	<code>elementId</code>	The unique id value for an element.
------------------	------------------------	-------------------------------------

Return Value

Element [p.59]	The matching element.
----------------	-----------------------

No Exceptions`getElementsByTagName`

Returns a `NodeList` [p.48] of all the `Elements` [p.59] with a given tag name in the order in which they would be encountered in a preorder traversal of the `Document` tree.

Parameters

<code>DOMString</code> [p.21]	<code>tagname</code>	The name of the tag to match on. The special value "*" matches all tags.
----------------------------------	----------------------	--

Return Value

<code>NodeList</code> [p.48]	A new <code>NodeList</code> object containing all the matched <code>Elements</code> [p.59].
---------------------------------	---

No Exceptions`getElementsByTagNameNS` introduced in **DOM Level 2**

Returns a `NodeList` [p.48] of all the `Elements` [p.59] with a given *local name* [p.452] and namespace URI in the order in which they would be encountered in a preorder traversal of the `Document` tree.

Parameters

<code>DOMString</code> [p.21]	<code>namespaceURI</code>	The <i>namespace URI</i> [p.452] of the elements to match on. The special value "*" matches all namespaces.
<code>DOMString</code>	<code>localName</code>	The <i>local name</i> [p.452] of the elements to match on. The special value "*" matches all local names.

Return Value

<code>NodeList</code> [p.48]	A new <code>NodeList</code> object containing all the matched <code>Elements</code> [p.59].
---------------------------------	---

No Exceptions`importNode` introduced in **DOM Level 2**

Imports a node from another document to this document. The returned node has no parent; (`parentNode` is `null`). The source node is not altered or removed from the original document; this method creates a new copy of the source node.

For all nodes, importing a node creates a node object owned by the importing document, with attribute values identical to the source node's `nodeName` and `nodeType`, plus the attributes related to namespaces (`prefix`, `localName`, and `namespaceURI`). As in the

`cloneNode` operation on a `Node` [p.39], the source node is not altered.

Additional information is copied as appropriate to the `nodeType`, attempting to mirror the behavior expected if a fragment of XML or HTML source was copied from one document to another, recognizing that the two documents may have different DTDs in the XML case. The following list describes the specifics for every type of node.

ATTRIBUTE_NODE

The `specified` flag is set to `true` on the generated `Attr` [p.57]. The descendants of the source `Attr` are recursively imported and the resulting nodes reassembled to form the corresponding subtree.

Note that the `deep` parameter does not apply to `Attr` [p.57] nodes; they always carry their children with them when imported.

DOCUMENT_FRAGMENT_NODE

If the `deep` option was set `true`, the descendants of the source element will be recursively imported and the resulting nodes reassembled to form the corresponding subtree. Otherwise, this simply generates an empty `DocumentFragment` [p.29].

DOCUMENT_NODE

`Document` nodes cannot be imported.

DOCUMENT_TYPE_NODE

`DocumentType` [p.69] nodes cannot be imported.

ELEMENT_NODE

Specified attribute nodes of the source element are imported, and the generated `Attr` [p.57] nodes are attached to the generated `Element` [p.59]. Default attributes are *not* copied, though if the document being imported into defines default attributes for this element name, those are assigned. If the `importNode` `deep` parameter was set to `true`, the descendants of the source element will be recursively imported and the resulting nodes reassembled to form the corresponding subtree.

ENTITY_NODE

`Entity` [p.71] nodes can be imported, however in the current release of the DOM the `DocumentType` [p.69] is readonly. Ability to add these imported nodes to a `DocumentType` will be considered for addition to a future release of the DOM. On import, the `publicId`, `systemId`, and `notationName` attributes are copied. If a `deep` import is requested, the descendants of the the source `Entity` [p.71] is recursively imported and the resulting nodes reassembled to form the corresponding subtree.

ENTITY_REFERENCE_NODE

Only the `EntityReference` [p.72] itself is copied, even if a `deep` import is requested, since the source and destination documents might have defined the entity differently. If the document being imported into provides a definition for this entity name, its value is assigned.

NOTATION_NODE

`Notation` [p.71] nodes can be imported, however in the current release of the DOM the `DocumentType` [p.69] is readonly. Ability to add these imported nodes to a `DocumentType` will be considered for addition to a future release of the DOM. On import, the `publicId` and `systemId` attributes are copied. Note that the `deep` parameter does not apply to `Notation` [p.71] nodes since they never have any children.

PROCESSING_INSTRUCTION_NODE

The imported node copies its `target` and `data` values from those of the source node.

TEXT_NODE, CDATA_SECTION_NODE, COMMENT_NODE

These three types of nodes inheriting from `CharacterData` [p.53] copy their `data` and `length` attributes from those of the source node.

Parameters

Node [p.39]	<code>importedNode</code>	The node to import.
boolean	<code>deep</code>	If <code>true</code> , recursively import the subtree under the specified node; if <code>false</code> , import only the node itself, as explained above. This does not apply to <code>Attr</code> [p.57], <code>EntityReference</code> [p.72], and <code>Notation</code> [p.71] nodes.

Return Value

Node [p.39]	The imported node that belongs to this Document.
-------------	--

Exceptions

<code>DOMException</code> [p.24]	<code>NOT_SUPPORTED_ERR</code> : Raised if the type of node being imported is not supported.
-------------------------------------	--

Interface *Node*

The `Node` interface is the primary datatype for the entire Document Object Model. It represents a single node in the document tree. While all objects implementing the `Node` interface expose methods for dealing with children, not all objects implementing the `Node` interface may have children. For example, `Text` [p.67] nodes may not have children, and adding children to such nodes results in a `DOMException` [p.24] being raised.

The attributes `nodeName`, `nodeValue` and `attributes` are included as a mechanism to get at node information without casting down to the specific derived interface. In cases where there is no obvious mapping of these attributes for a specific `nodeType` (e.g., `nodeValue` for an `Element` [p.59] or `attributes` for a `Comment` [p.68]), this returns `null`. Note that the specialized interfaces may contain additional and more convenient mechanisms to get and set the relevant information.

IDL Definition

1.2. Fundamental Interfaces

```
interface Node {
    // NodeType
    const unsigned short    ELEMENT_NODE           = 1;
    const unsigned short    ATTRIBUTE_NODE         = 2;
    const unsigned short    TEXT_NODE              = 3;
    const unsigned short    CDATA_SECTION_NODE     = 4;
    const unsigned short    ENTITY_REFERENCE_NODE  = 5;
    const unsigned short    ENTITY_NODE           = 6;
    const unsigned short    PROCESSING_INSTRUCTION_NODE = 7;
    const unsigned short    COMMENT_NODE          = 8;
    const unsigned short    DOCUMENT_NODE         = 9;
    const unsigned short    DOCUMENT_TYPE_NODE    = 10;
    const unsigned short    DOCUMENT_FRAGMENT_NODE = 11;
    const unsigned short    NOTATION_NODE         = 12;

    readonly attribute DOMString    nodeName;
        attribute DOMString        nodeValue;
        // raises(DOMException) on setting
        // raises(DOMException) on retrieval

    readonly attribute unsigned short   .nodeType;
    readonly attribute Node              parentNode;
    readonly attribute NodeList          childNodes;
    readonly attribute Node              firstChild;
    readonly attribute Node              lastChild;
    readonly attribute Node              previousSibling;
    readonly attribute Node              nextSibling;
    readonly attribute NamedNodeMap     attributes;
    // Modified in DOM Level 2:
    readonly attribute Document         ownerDocument;
    Node              insertBefore(in Node newChild,
        in Node refChild)
        raises(DOMException);
    Node              replaceChild(in Node newChild,
        in Node oldChild)
        raises(DOMException);
    Node              removeChild(in Node oldChild)
        raises(DOMException);
    Node              appendChild(in Node newChild)
        raises(DOMException);
    boolean           hasChildNodes();
    Node              cloneNode(in boolean deep);
    // Introduced in DOM Level 2:
    void              normalize();
    // Introduced in DOM Level 2:
    boolean           supports(in DOMString feature,
        in DOMString version);
    // Introduced in DOM Level 2:
    readonly attribute DOMString        namespaceURI;
    // Introduced in DOM Level 2:
        attribute DOMString            prefix;
        // raises(DOMException) on setting

    // Introduced in DOM Level 2:
    readonly attribute DOMString        localName;
};
```


Definition group *NodeType*

An integer indicating which type of node this is.

Note: Numeric codes up to 200 are reserved to W3C for possible future use.

Defined Constants

ATTRIBUTE_NODE	The node is an <code>Attr</code> [p.57] .
CDATA_SECTION_NODE	The node is a <code>CDATASection</code> [p.69] .
COMMENT_NODE	The node is a <code>Comment</code> [p.68] .
DOCUMENT_FRAGMENT_NODE	The node is a <code>DocumentFragment</code> [p.29] .
DOCUMENT_NODE	The node is a <code>Document</code> [p.29] .
DOCUMENT_TYPE_NODE	The node is a <code>DocumentType</code> [p.69] .
ELEMENT_NODE	The node is an <code>Element</code> [p.59] .
ENTITY_NODE	The node is an <code>Entity</code> [p.71] .
ENTITY_REFERENCE_NODE	The node is an <code>EntityReference</code> [p.72] .
NOTATION_NODE	The node is a <code>Notation</code> [p.71] .
PROCESSING_INSTRUCTION_NODE	The node is a <code>ProcessingInstruction</code> [p.73] .
TEXT_NODE	The node is a <code>Text</code> [p.67] node.

The values of `nodeName`, `nodeValue`, and `attributes` vary according to the node type as follows:

	nodeName	nodeValue	attributes
Attr	name of attribute	value of attribute	null
CDATASection	#cdata-section	content of the CDATA Section	null
Comment	#comment	content of the comment	null
Document	#document	null	null
DocumentFragment	#document-fragment	null	null
DocumentType	document type name	null	null
Element	tag name	null	NamedNodeMap
Entity	entity name	null	null
EntityReference	name of entity referenced	null	null
Notation	notation name	null	null
ProcessingInstruction	target	entire content excluding the target	null
Text	#text	content of the text node	null

Attributes

`attributes` of type `NamedNodeMap` [p.49] , readonly

A `NamedNodeMap` [p.49] containing the attributes of this node (if it is an `Element` [p.59]) or `null` otherwise.

`childNodes` of type `NodeList` [p.48] , readonly

A `NodeList` [p.48] that contains all children of this node. If there are no children, this is a `NodeList` containing no nodes.

`firstChild` of type `Node` [p.39] , readonly

The first child of this node. If there is no such node, this returns `null`.

`lastChild` of type `Node` [p.39] , readonly

The last child of this node. If there is no such node, this returns `null`.

`localName` of type `DOMString` [p.21] , readonly, introduced in **DOM Level 2**

Returns the local part of the *qualified name* [p.452] of this node.

For nodes created with a DOM Level 1 method, such as `createElement` from the `Document` [p.29] interface, it is `null`.

`namespaceURI` of type `DOMString` [p.21], readonly, introduced in **DOM Level 2**

The *namespace URI* [p.452] of this node, or `null` if it is unspecified.

This is not a computed value that is the result of a namespace lookup based on an examination of the namespace declarations in scope. It is merely the namespace URI given at creation time.

For nodes of any type other than `ELEMENT_NODE` and `ATTRIBUTE_NODE` and nodes created with a DOM Level 1 method, such as `createElement` from the `Document` [p.29] interface, this is always `null`.

Note: Per the *Namespaces in XML* Specification [Namespaces] an attribute does not inherit its namespace from the element it is attached to. If an attribute is not explicitly given a namespace, it simply has no namespace.

`nextSibling` of type `Node` [p.39], readonly

The node immediately following this node. If there is no such node, this returns `null`.

`nodeName` of type `DOMString` [p.21], readonly

The name of this node, depending on its type; see the table above.

`nodeType` of type `unsigned short`, readonly

A code representing the type of the underlying object, as defined above.

`nodeValue` of type `DOMString` [p.21]

The value of this node, depending on its type; see the table above. When it is defined to be `null`, setting it has no effect.

Exceptions on setting

<code>DOMException</code> [p.24]	<code>NO_MODIFICATION_ALLOWED_ERR</code> : Raised when the node is readonly.
-------------------------------------	--

Exceptions on retrieval

<code>DOMException</code> [p.24]	<code>DOMSTRING_SIZE_ERR</code> : Raised when it would return more characters than fit in a <code>DOMString</code> [p.21] variable on the implementation platform.
-------------------------------------	--

`ownerDocument` of type `Document` [p.29], readonly, modified in **DOM Level 2**

The `Document` [p.29] object associated with this node. This is also the `Document` object used to create new nodes. When this node is a `Document` or a `DocumentType` [p.69] which is not used with any `Document` yet, this is `null`.

`parentNode` of type `Node` [p.39], readonly

The parent of this node. All nodes, except `Attr` [p.57], `Document` [p.29], `DocumentFragment` [p.29], `Entity` [p.71], and `Notation` [p.71] may have a parent. However, if a node has just been created and not yet added to the tree, or if it has been removed from the tree, this is `null`.

`prefix` of type `DOMString` [p.21] , introduced in **DOM Level 2**

The *namespace prefix* [p.452] of this node, or `null` if it is unspecified.

Note that setting this attribute, when permitted, changes the `nodeName` attribute, which holds the *qualified name* [p.452] , as well as the `tagName` and `name` attributes of the `Element` [p.59] and `Attr` [p.57] interfaces, when applicable.

Note also that changing the prefix of an attribute that is known to have a default value, does not make a new attribute with the default value and the original prefix appear, since the `namespaceURI` and `localName` do not change.

Exceptions on setting

<code>DOMException</code> [p.24]	<code>INVALID_CHARACTER_ERR</code> : Raised if the specified prefix contains an illegal character.
	<code>NO_MODIFICATION_ALLOWED_ERR</code> : Raised if this node is readonly.
	<code>NAMESPACE_ERR</code> : Raised if the specified <code>prefix</code> is malformed, if the <code>namespaceURI</code> of this node is <code>null</code> , if the specified prefix is "xml" and the <code>namespaceURI</code> of this node is different from "http://www.w3.org/XML/1998/namespace", if this node is an attribute and the specified prefix is "xmlns" and the <code>namespaceURI</code> of this node is different from "http://www.w3.org/2000/xmlns/", or if this node is an attribute and the <code>qualifiedName</code> of this node is "xmlns" [Namespaces].

`previousSibling` of type `Node` [p.39] , readonly

The node immediately preceding this node. If there is no such node, this returns `null`.

Methods

`appendChild`

Adds the node `newChild` to the end of the list of children of this node. If the `newChild` is already in the tree, it is first removed.

Parameters

<code>Node</code> [p.39]	<code>newChild</code>	The node to add. If it is a <code>DocumentFragment</code> [p.29] object, the entire contents of the document fragment are moved into the child list of this node
-----------------------------	-----------------------	---

Return Value

<code>Node</code> [p.39]	The node added.
--------------------------	-----------------

Exceptions

<code>DOMException</code> [p.24]	<p><code>HIERARCHY_REQUEST_ERR</code>: Raised if this node is of a type that does not allow children of the type of the <code>newChild</code> node, or if the node to append is one of this node's ancestors.</p> <p><code>WRONG_DOCUMENT_ERR</code>: Raised if <code>newChild</code> was created from a different document than the one that created this node.</p> <p><code>NO_MODIFICATION_ALLOWED_ERR</code>: Raised if this node or the node being appended is readonly.</p>
-------------------------------------	---

`cloneNode`

Returns a duplicate of this node, i.e., serves as a generic copy constructor for nodes. The duplicate node has no parent; (`parentNode` is `null`).

Cloning an `Element` [p.59] copies all attributes and their values, including those generated by the XML processor to represent defaulted attributes, but this method does not copy any text it contains unless it is a deep clone, since the text is contained in a child `Text` [p.67] node. Cloning an `Attribute` directly, as opposed to be cloned as part of an `Element` cloning operation, returns a specified attribute (`specified` is `true`). Cloning any other type of node simply returns a copy of this node.

Note that cloning an immutable subtree results in a mutable copy, but the children of an `EntityReference` [p.72] clone are readonly.

Parameters

<code>boolean</code>	<code>deep</code>	If <code>true</code> , recursively clone the subtree under the specified node; if <code>false</code> , clone only the node itself (and its attributes, if it is an <code>Element</code> [p.59]).
----------------------	-------------------	--

Return Value

<code>Node</code> [p.39]	The duplicate node.
--------------------------	---------------------

No Exceptions`hasChildNodes`

This is a convenience method to allow easy determination of whether a node has any children.

Return Value

<code>boolean</code>	<code>true</code> if the node has any children, <code>false</code> if the node has no children.
----------------------	---

No Parameters**No Exceptions**`insertBefore`

Inserts the node `newChild` before the existing child node `refChild`. If `refChild` is `null`, insert `newChild` at the end of the list of children.

If `newChild` is a `DocumentFragment` [p.29] object, all of its children are inserted, in the same order, before `refChild`. If the `newChild` is already in the tree, it is first removed.

Parameters

Node [p.39]	<code>newChild</code>	The node to insert.
Node	<code>refChild</code>	The reference node, i.e., the node before which the new node must be inserted.

Return Value

Node [p.39] The node being inserted.

Exceptions

DOMException [p.24]	<p>HIERARCHY_REQUEST_ERR: Raised if this node is of a type that does not allow children of the type of the <code>newChild</code> node, or if the node to insert is one of this node's ancestors.</p> <p>WRONG_DOCUMENT_ERR: Raised if <code>newChild</code> was created from a different document than the one that created this node.</p> <p>NO_MODIFICATION_ALLOWED_ERR: Raised if this node or the node being inserted is readonly.</p> <p>NOT_FOUND_ERR: Raised if <code>refChild</code> is not a child of this node.</p>
------------------------	---

`normalize` introduced in **DOM Level 2**

Puts all `Text` [p.67] nodes in the full depth of the sub-tree underneath this `Node`, including attribute nodes, into a "normal" form where only markup (e.g., tags, comments, processing instructions, CDATA sections, and entity references) separates `Text` nodes, i.e., there are neither adjacent `Text` nodes nor empty `Text` nodes. This can be used to ensure that the DOM view of a document is the same as if it were saved and re-loaded, and is useful when operations (such as `XPointer` lookups) that depend on a particular document tree structure are to be used.

Note: In cases where the document contains `CDATASections` [p.69], the `normalize` operation alone may not be sufficient, since `XPointers` do not differentiate between `Text` [p.67] nodes and `CDATASection` [p.69] nodes.

No Parameters

No Return Value

No Exceptions

`removeChild`

Removes the child node indicated by `oldChild` from the list of children, and returns it.

Parameters

Node [p.39]	<code>oldChild</code>	The node being removed.
-------------	-----------------------	-------------------------

Return Value

Node [p.39]	The node removed.
-------------	-------------------

Exceptions

<code>DOMException</code> [p.24]	<code>NO_MODIFICATION_ALLOWED_ERR</code> : Raised if this node is readonly.
	<code>NOT_FOUND_ERR</code> : Raised if <code>oldChild</code> is not a child of this node.

`replaceChild`

Replaces the child node `oldChild` with `newChild` in the list of children, and returns the `oldChild` node.

If `newChild` is a `DocumentFragment` [p.29] object, `oldChild` is replaced by all of the `DocumentFragment` children, which are inserted in the same order. If the `newChild` is already in the tree, it is first removed.

Parameters

Node [p.39]	<code>newChild</code>	The new node to put in the child list.
Node	<code>oldChild</code>	The node being replaced in the list.

Return Value

Node [p.39]	The node replaced.
-------------	--------------------

Exceptions

DOMException [p.24]	<p>HIERARCHY_REQUEST_ERR: Raised if this node is of a type that does not allow children of the type of the <code>newChild</code> node, or if the node to put in is one of this node's ancestors.</p> <p>WRONG_DOCUMENT_ERR: Raised if <code>newChild</code> was created from a different document than the one that created this node.</p> <p>NO_MODIFICATION_ALLOWED_ERR: Raised if this node or the new node is readonly.</p> <p>NOT_FOUND_ERR: Raised if <code>oldChild</code> is not a child of this node.</p>
------------------------	--

supports introduced in **DOM Level 2**

Tests whether the DOM implementation implements a specific feature and that feature is supported by this node.

Parameters

DOMString [p.21]	feature	The name of the feature to test. This is the same name which can be passed to the method <code>hasFeature</code> on <code>DOMImplementation</code> [p.26] .
DOMString	version	This is the version number of the feature to test. In Level 2, version 1, this is the string "2.0". If the version is not specified, supporting any version of the feature will cause the method to return <code>true</code> .

Return Value

boolean	Returns <code>true</code> if the specified feature is supported on this node, <code>false</code> otherwise.
---------	---

No Exceptions

Interface *NodeList*

The `NodeList` interface provides the abstraction of an ordered collection of nodes, without defining or constraining how this collection is implemented. `NodeList` objects in the DOM are *live* [p.20] .

The items in the `NodeList` are accessible via an integral index, starting from 0.

IDL Definition

```
interface NodeList {
    Node          item(in unsigned long index);
    readonly attribute unsigned long    length;
};
```

Attributes

`length` of type `unsigned long`, `readonly`

The number of nodes in the list. The range of valid child node indices is 0 to `length-1` inclusive.

Methods

`item`

Returns the `index`th item in the collection. If `index` is greater than or equal to the number of nodes in the list, this returns `null`.

Parameters

`unsigned long index` Index into the collection.

Return Value

`Node` The node at the `index`th position in the `NodeList`, or `null` if that is not a valid index.
[p.39]

No Exceptions

Interface *NamedNodeMap*

Objects implementing the `NamedNodeMap` interface are used to represent collections of nodes that can be accessed by name. Note that `NamedNodeMap` does not inherit from `NodeList` [p.48]; `NamedNodeMaps` are not maintained in any particular order. Objects contained in an object implementing `NamedNodeMap` may also be accessed by an ordinal index, but this is simply to allow convenient enumeration of the contents of a `NamedNodeMap`, and does not imply that the DOM specifies an order to these Nodes.

`NamedNodeMap` objects in the DOM are *live* [p.20] .

IDL Definition

```
interface NamedNodeMap {
    Node          getNamedItem(in DOMString name);
    Node          setNamedItem(in Node arg)
                                   raises(DOMException);
    Node          removeNamedItem(in DOMString name)
                                   raises(DOMException);
    Node          item(in unsigned long index);
    readonly attribute unsigned long    length;
    // Introduced in DOM Level 2:
```

1.2. Fundamental Interfaces

```
Node                getNamedItemNS(in DOMString namespaceURI,
                                   in DOMString localName);
// Introduced in DOM Level 2:
Node                setNamedItemNS(in Node arg)
                                   raises(DOMException);
// Introduced in DOM Level 2:
Node                removeNamedItemNS(in DOMString namespaceURI,
                                       in DOMString localName)
                                       raises(DOMException);
};
```

Attributes

length of type unsigned long, readonly

The number of nodes in this map. The range of valid child node indices is 0 to length-1 inclusive.

Methods

getNamedItem

Retrieves a node specified by name.

Parameters

DOMString [p.21]	name	The nodeName of a node to retrieve.
------------------	------	-------------------------------------

Return Value

Node [p.39]	A Node (of any type) with the specified nodeName, or null if it does not identify any node in this map.
-------------	---

No Exceptions

getNamedItemNS introduced in **DOM Level 2**

Retrieves a node specified by local name and namespace URI. HTML-only DOM implementations do not need to implement this method.

Parameters

DOMString [p.21]	namespaceURI	The <i>namespace URI</i> [p.452] of the node to retrieve.
DOMString	localName	The <i>local name</i> [p.452] of the node to retrieve.

Return Value

Node [p.39]	A Node (of any type) with the specified local name and namespace URI, or null if they do not identify any node in this map.
-------------	---

No Exceptions`item`

Returns the `index`th item in the map. If `index` is greater than or equal to the number of nodes in this map, this returns `null`.

Parameters

`unsigned long` `index` Index into this map.

Return Value

`Node` [p.39] The node at the `index`th position in the map, or `null` if that is not a valid index.

No Exceptions`removeNamedItem`

Removes a node specified by name. A removed attribute may be known to have a default value when this map contains the attributes attached to an element, as returned by the `attributes` attribute of the `Node` [p.39] interface. If so, an attribute immediately appears containing the default value as well as the corresponding namespace URI, local name, and prefix when applicable.

Parameters

`DOMString` [p.21] `name` The `nodeName` of the node to remove.

Return Value

`Node` [p.39] The node removed from this map if a node with such a name exists.

Exceptions

`DOMException` [p.24] `NOT_FOUND_ERR`: Raised if there is no node named `name` in this map.

`NO_MODIFICATION_ALLOWED_ERR`: Raised if this map is readonly.

`removeNamedItemNS` introduced in **DOM Level 2**

Removes a node specified by local name and namespace URI. A removed attribute may be known to have a default value when this map contains the attributes attached to an element, as returned by the `attributes` attribute of the `Node` [p.39] interface. If so, an attribute immediately appears containing the default value as well as the corresponding namespace URI, local name, and prefix when applicable.

HTML-only DOM implementations do not need to implement this method.

Parameters

DOMString [p.21]	namespaceURI	The <i>namespace URI</i> [p.452] of the node to remove.
DOMString	localName	The <i>local name</i> [p.452] of the node to remove.

Return Value

Node [p.39]	The node removed from this map if a node with such a local name and namespace URI exists.
----------------	---

Exceptions

DOMException [p.24]	NOT_FOUND_ERR: Raised if there is no node with the specified namespaceURI and localName in this map.
	NO_MODIFICATION_ALLOWED_ERR: Raised if this map is readonly.

setNamedItem

Adds a node using its nodeName attribute. If a node with that name is already present in this map, it is replaced by the new one.

As the nodeName attribute is used to derive the name which the node must be stored under, multiple nodes of certain types (those that have a "special" string value) cannot be stored as the names would clash. This is seen as preferable to allowing nodes to be aliased.

Parameters

Node [p.39]	arg	A node to store in this map. The node will later be accessible using the value of its nodeName attribute.
----------------	-----	---

Return Value

Node [p.39]	If the new Node replaces an existing node the replaced Node is returned, otherwise null is returned.
----------------	--

Exceptions

DOMException [p.24]	<p>WRONG_DOCUMENT_ERR: Raised if <code>arg</code> was created from a different document than the one that created this map.</p> <p>NO_MODIFICATION_ALLOWED_ERR: Raised if this map is readonly.</p> <p>INUSE_ATTRIBUTE_ERR: Raised if <code>arg</code> is an <code>Attr</code> [p.57] that is already an attribute of another <code>Element</code> [p.59] object. The DOM user must explicitly clone <code>Attr</code> nodes to re-use them in other elements.</p>
------------------------	--

`setNamedItemNS` introduced in **DOM Level 2**

Adds a node using its `namespaceURI` and `localName`. If a node with that namespace URI and that local name is already present in this map, it is replaced by the new one. HTML-only DOM implementations do not need to implement this method.

Parameters

Node [p.39]	<code>arg</code>	A node to store in this map. The node will later be accessible using the value of its <code>namespaceURI</code> and <code>localName</code> attributes.
----------------	------------------	--

Return Value

Node [p.39]	If the new Node replaces an existing node the replaced Node is returned, otherwise <code>null</code> is returned.
----------------	---

Exceptions

DOMException [p.24]	<p>WRONG_DOCUMENT_ERR: Raised if <code>arg</code> was created from a different document than the one that created this map.</p> <p>NO_MODIFICATION_ALLOWED_ERR: Raised if this map is readonly.</p> <p>INUSE_ATTRIBUTE_ERR: Raised if <code>arg</code> is an <code>Attr</code> [p.57] that is already an attribute of another <code>Element</code> [p.59] object. The DOM user must explicitly clone <code>Attr</code> nodes to re-use them in other elements.</p>
------------------------	--

Interface *CharacterData*

The `CharacterData` interface extends `Node` with a set of attributes and methods for accessing character data in the DOM. For clarity this set is defined here rather than on each object that uses these attributes and methods. No DOM objects correspond directly to `CharacterData`, though `Text` [p.67] and others do inherit the interface from it. All `offsets` in this interface start from 0.

As explained in the DOMString [p.21] interface, text strings in the DOM are represented in UTF-16, i.e. as a sequence of 16-bit units. In the following, the term *16-bit units* [p.449] is used whenever necessary to indicate that indexing on CharacterData is done in 16-bit units.

IDL Definition

```
interface CharacterData : Node {
    attribute DOMString      data;
                                // raises(DOMException) on setting
                                // raises(DOMException) on retrieval

    readonly attribute unsigned long    length;
    DOMString      substringData(in unsigned long offset,
                                in unsigned long count)
                                raises(DOMException);
    void           appendData(in DOMString arg)
                                raises(DOMException);
    void           insertData(in unsigned long offset,
                              in DOMString arg)
                                raises(DOMException);
    void           deleteData(in unsigned long offset,
                              in unsigned long count)
                                raises(DOMException);
    void           replaceData(in unsigned long offset,
                              in unsigned long count,
                              in DOMString arg)
                                raises(DOMException);
};
```

Attributes

data of type DOMString [p.21]

The character data of the node that implements this interface. The DOM implementation may not put arbitrary limits on the amount of data that may be stored in a CharacterData node. However, implementation limits may mean that the entirety of a node's data may not fit into a single DOMString [p.21] . In such cases, the user may call substringData to retrieve the data in appropriately sized pieces.

Exceptions on setting

DOMException [p.24]	NO_MODIFICATION_ALLOWED_ERR: Raised when the node is readonly.
------------------------	--

Exceptions on retrieval

DOMException [p.24]	DOMSTRING_SIZE_ERR: Raised when it would return more characters than fit in a DOMString [p.21] variable on the implementation platform.
------------------------	---

length of type unsigned long, readonly

The number of *16-bit units* [p.449] that are available through data and the substringData method below. This may have the value zero, i.e., CharacterData nodes may be empty.

Methods`appendData`

Append the string to the end of the character data of the node. Upon success, `data` provides access to the concatenation of data and the `DOMString` [p.21] specified.

Parameters

<code>DOMString</code> [p.21]	<code>arg</code>	The <code>DOMString</code> to append.
-------------------------------	------------------	---------------------------------------

Exceptions

<code>DOMException</code> [p.24]	<code>NO_MODIFICATION_ALLOWED_ERR</code> : Raised if this node is readonly.
----------------------------------	---

No Return Value`deleteData`

Remove a range of *16-bit units* [p.449] from the node. Upon success, `data` and `length` reflect the change.

Parameters

<code>unsigned long</code>	<code>offset</code>	The offset from which to start removing.
<code>unsigned long</code>	<code>count</code>	The number of 16-bit units to delete. If the sum of <code>offset</code> and <code>count</code> exceeds <code>length</code> then all 16-bit units from <code>offset</code> to the end of the data are deleted.

Exceptions

<code>DOMException</code> [p.24]	<code>INDEX_SIZE_ERR</code> : Raised if the specified <code>offset</code> is negative or greater than the number of 16-bit units in <code>data</code> , or if the specified <code>count</code> is negative.
	<code>NO_MODIFICATION_ALLOWED_ERR</code> : Raised if this node is readonly.

No Return Value`insertData`

Insert a string at the specified character offset.

Parameters

unsigned long	offset	The character offset at which to insert.
DOMString [p.21]	arg	The DOMString to insert.

Exceptions

DOMException [p.24]	INDEX_SIZE_ERR: Raised if the specified <code>offset</code> is negative or greater than the number of 16-bit units in <code>data</code> .
	NO_MODIFICATION_ALLOWED_ERR: Raised if this node is <code>readonly</code> .

No Return Value`replaceData`

Replace the characters starting at the specified *16-bit unit* [p.449] offset with the specified string.

Parameters

unsigned long	offset	The offset from which to start replacing.
unsigned long	count	The number of 16-bit units to replace. If the sum of <code>offset</code> and <code>count</code> exceeds <code>length</code> , then all 16-bit units to the end of the data are replaced; (i.e., the effect is the same as a <code>remove</code> method call with the same range, followed by an <code>append</code> method invocation).
DOMString [p.21]	arg	The DOMString with which the range must be replaced.

Exceptions

DOMException [p.24]	INDEX_SIZE_ERR: Raised if the specified <code>offset</code> is negative or greater than the number of 16-bit units in <code>data</code> , or if the specified <code>count</code> is negative.
	NO_MODIFICATION_ALLOWED_ERR: Raised if this node is <code>readonly</code> .

No Return Value`substringData`

Extracts a range of data from the node.

Parameters

unsigned long	offset	Start offset of substring to extract.
unsigned long	count	The number of 16-bit units to extract.

Return Value

DOMString [p.21]	The specified substring. If the sum of <code>offset</code> and <code>count</code> exceeds the <code>length</code> , then all 16-bit units to the end of the data are returned.
---------------------	--

Exceptions

DOMException [p.24]	<p>INDEX_SIZE_ERR: Raised if the specified <code>offset</code> is negative or greater than the number of 16-bit units in <code>data</code>, or if the specified <code>count</code> is negative.</p> <p>DOMSTRING_SIZE_ERR: Raised if the specified range of text does not fit into a DOMString [p.21].</p>
------------------------	--

Interface Attr

The `Attr` interface represents an attribute in an `Element` [p.59] object. Typically the allowable values for the attribute are defined in a document type definition.

`Attr` objects inherit the `Node` [p.39] interface, but since they are not actually child nodes of the element they describe, the DOM does not consider them part of the document tree. Thus, the `Node` attributes `parentNode`, `previousSibling`, and `nextSibling` have a null value for `Attr` objects. The DOM takes the view that attributes are properties of elements rather than having a separate identity from the elements they are associated with; this should make it more efficient to implement such features as default attributes associated with all elements of a given type. Furthermore, `Attr` nodes may not be immediate children of a `DocumentFragment` [p.29]. However, they can be associated with `Element` [p.59] nodes contained within a `DocumentFragment`. In short, users and implementors of the DOM need to be aware that `Attr` nodes have some things in common with other objects inheriting the `Node` interface, but they also are quite distinct.

The attribute's effective value is determined as follows: if this attribute has been explicitly assigned any value, that value is the attribute's effective value; otherwise, if there is a declaration for this attribute, and that declaration includes a default value, then that default value is the attribute's effective value; otherwise, the attribute does not exist on this element in the structure model until it has been explicitly added. Note that the `nodeValue` attribute on the `Attr` instance can also be used to retrieve the string version of the attribute's value(s).

In XML, where the value of an attribute can contain entity references, the child nodes of the `Attr` node provide a representation in which entity references are not expanded. These child nodes may be either `Text` [p.67] or `EntityReference` [p.72] nodes. Because the attribute type may be

unknown, there are no tokenized attribute values.

IDL Definition

```
interface Attr : Node {
  readonly attribute DOMString      name;
  readonly attribute boolean        specified;
  attribute DOMString              value;
                                   // raises(DOMException) on setting

  // Introduced in DOM Level 2:
  readonly attribute Element        ownerElement;
};
```

Attributes

name of type DOMString [p.21] , readonly

Returns the name of this attribute.

ownerElement of type Element [p.59] , readonly, introduced in **DOM Level 2**

The Element [p.59] node this attribute is attached to or null if this attribute is not in use.

specified of type boolean, readonly

If this attribute was explicitly given a value in the original document, this is true; otherwise, it is false. Note that the implementation is in charge of this attribute, not the user. If the user changes the value of the attribute (even if it ends up having the same value as the default value) then the specified flag is automatically flipped to true. To re-specify the attribute as the default value from the DTD, the user must delete the attribute. The implementation will then make a new attribute available with specified set to false and the default value (if one exists).

In summary:

- If the attribute has an assigned value in the document then specified is true, and the value is the assigned value.
- If the attribute has no assigned value in the document and has a default value in the DTD, then specified is false, and the value is the default value in the DTD.
- If the attribute has no assigned value in the document and has a value of #IMPLIED in the DTD, then the attribute does not appear in the structure model of the document.

value of type DOMString [p.21]

On retrieval, the value of the attribute is returned as a string. Character and general entity references are replaced with their values. See also the method `getAttribute` on the Element [p.59] interface.

On setting, this creates a Text [p.67] node with the unparsed contents of the string. I.e. any characters that an XML processor would recognize as markup are instead treated as literal text. See also the method `setAttribute` on the Element [p.59] interface.

Exceptions on setting

DOMException
[p.24]

NO_MODIFICATION_ALLOWED_ERR: Raised when the node is readonly.

Interface *Element*

The `Element` interface represents an element in an HTML or XML document. Elements may have attributes associated with them; since the `Element` interface inherits from `Node` [p.39], the generic `Node` interface attribute `attributes` may be used to retrieve the set of all attributes for an element. There are methods on the `Element` interface to retrieve either an `Attr` [p.57] object by name or an attribute value by name. In XML, where an attribute value may contain entity references, an `Attr` object should be retrieved to examine the possibly fairly complex sub-tree representing the attribute value. On the other hand, in HTML, where all attributes have simple string values, methods to directly access an attribute value can safely be used as a convenience.

Note: In DOM Level 2, the method `normalize` is inherited from the `Node` [p.39] interface where it was moved.

IDL Definition

```
interface Element : Node {
    readonly attribute DOMString      tagName;
    DOMString      getAttribute(in DOMString name);
    void           setAttribute(in DOMString name,
                               in DOMString value)
                               raises(DOMException);
    void           removeAttribute(in DOMString name)
                               raises(DOMException);
    Attr           getAttributeNode(in DOMString name);
    Attr           setAttributeNode(in Attr newAttr)
                               raises(DOMException);
    Attr           removeAttributeNode(in Attr oldAttr)
                               raises(DOMException);
    NodeList       getElementsByTagName(in DOMString name);
    // Introduced in DOM Level 2:
    DOMString      getAttributeNS(in DOMString namespaceURI,
                                  in DOMString localName);
    // Introduced in DOM Level 2:
    void           setAttributeNS(in DOMString namespaceURI,
                                  in DOMString qualifiedName,
                                  in DOMString value)
                                  raises(DOMException);
    // Introduced in DOM Level 2:
    void           removeAttributeNS(in DOMString namespaceURI,
                                     in DOMString localName)
                                     raises(DOMException);
    // Introduced in DOM Level 2:
    Attr           getAttributeNodeNS(in DOMString namespaceURI,
                                       in DOMString localName);
    // Introduced in DOM Level 2:
    Attr           setAttributeNodeNS(in Attr newAttr)
                                       raises(DOMException);
    // Introduced in DOM Level 2:
    NodeList       getElementsByTagNameNS(in DOMString namespaceURI,
                                          in DOMString localName);
    // Introduced in DOM Level 2:
    boolean        hasAttribute(in DOMString name);
}
```

```
// Introduced in DOM Level 2:
boolean      hasAttributeNS(in DOMString namespaceURI,
                           in DOMString localName);
};
```

Attributes

`tagName` of type `DOMString` [p.21] , readonly

The name of the element. For example, in:

```
<elementExample id="demo">
    ...
</elementExample> ,
```

`tagName` has the value "elementExample". Note that this is case-preserving in XML, as are all of the operations of the DOM. The HTML DOM returns the `tagName` of an HTML element in the canonical uppercase form, regardless of the case in the source HTML document.

Methods

`getAttribute`

Retrieves an attribute value by name.

Parameters

<code>DOMString</code> [p.21]	<code>name</code>	The name of the attribute to retrieve.
-------------------------------	-------------------	--

Return Value

<code>DOMString</code> [p.21]	The <code>Attr</code> [p.57] value as a string, or the empty string if that attribute does not have a specified or default value.
-------------------------------	---

No Exceptions

`getAttributeNS` introduced in **DOM Level 2**

Retrieves an attribute value by local name and namespace URI. HTML-only DOM implementations do not need to implement this method.

Parameters

<code>DOMString</code> [p.21]	<code>namespaceURI</code>	The <i>namespace URI</i> [p.452] of the attribute to retrieve.
<code>DOMString</code>	<code>localName</code>	The <i>local name</i> [p.452] of the attribute to retrieve.

Return Value

<code>DOMString</code> [p.21]	The <code>Attr</code> [p.57] value as a string, or the empty string if that attribute does not have a specified or default value.
-------------------------------	---

No Exceptions`getAttributeNode`

Retrieves an attribute node by name.

To retrieve an attribute node by qualified name and namespace URI, use the `getAttributeNodeNS` method.**Parameters**

DOMString [p.21]	name	The name (<code>nodeName</code>) of the attribute to retrieve.
---------------------	------	--

Return Value

Attr [p.57]	The Attr node with the specified name (<code>nodeName</code>) or null if there is no such attribute.
----------------	--

No Exceptions`getAttributeNodeNS` introduced in **DOM Level 2**

Retrieves an Attr [p.57] node by local name and namespace URI. HTML-only DOM implementations do not need to implement this method.

Parameters

DOMString [p.21]	namespaceURI	The <i>namespace URI</i> [p.452] of the attribute to retrieve.
DOMString	localName	The <i>local name</i> [p.452] of the attribute to retrieve.

Return Value

Attr [p.57]	The Attr node with the specified attribute local name and namespace URI or null if there is no such attribute.
----------------	--

No Exceptions`getElementsByTagName`

Returns a NodeList [p.48] of all descendant elements with a given tag name, in the order in which they would be encountered in a preorder traversal of the Element tree.

Parameters

DOMString [p.21]	name	The name of the tag to match on. The special value "*" matches all tags.
---------------------	------	--

Return Value

NodeList [p.48] A list of matching Element nodes.

No Exceptions

getElementsByTagNameNS introduced in **DOM Level 2**

Returns a NodeList [p.48] of all the Elements with a given local name and namespace URI in the order in which they would be encountered in a preorder traversal of the Document [p.29] tree, starting from this node.

HTML-only DOM implementations do not need to implement this method.

Parameters

DOMString [p.21]	namespaceURI	The <i>namespace URI</i> [p.452] of the elements to match on. The special value "*" matches all namespaces.
DOMString	localName	The <i>local name</i> [p.452] of the elements to match on. The special value "*" matches all local names.

Return Value

NodeList [p.48] A new NodeList object containing all the matched Elements.

No Exceptions

hasAttribute introduced in **DOM Level 2**

Returns true when an attribute with a given name is specified on this element or has a default value, false otherwise.

Parameters

DOMString [p.21]	name	The name of the attribute to look for.
------------------	------	--

Return Value

boolean true if an attribute with the given name is specified on this element or has a default value, false otherwise.

No Exceptions

hasAttributeNS introduced in **DOM Level 2**

Returns `true` when an attribute with a given local name and namespace URI is specified on this element or has a default value, `false` otherwise. HTML-only DOM implementations do not need to implement this method.

Parameters

DOMString [p.21]	namespaceURI	The <i>namespace URI</i> [p.452] of the attribute to look for.
DOMString	localName	The <i>local name</i> [p.452] of the attribute to look for.

Return Value

boolean	<code>true</code> if an attribute with the given local name and namespace URI is specified or has a default value on this element, <code>false</code> otherwise.
---------	--

No Exceptions**removeAttribute**

Removes an attribute by name. If the removed attribute is known to have a default value, an attribute immediately appears containing the default value as well as the corresponding namespace URI, local name, and prefix when applicable.

To remove an attribute by local name and namespace URI, use the `removeAttributeNS` method.

Parameters

DOMString [p.21]	name	The name of the attribute to remove.
------------------	------	--------------------------------------

Exceptions

DOMException [p.24]	NO_MODIFICATION_ALLOWED_ERR: Raised if this node is readonly.
---------------------	---

No Return Value**removeAttributeNS** introduced in **DOM Level 2**

Removes an attribute by local name and namespace URI. If the removed attribute has a default value it is immediately replaced. The replacing attribute has the same namespace URI and local name, as well as the original prefix.

HTML-only DOM implementations do not need to implement this method.

Parameters

DOMString [p.21]	namespaceURI	The <i>namespace URI</i> [p.452] of the attribute to remove.
DOMString	localName	The <i>local name</i> [p.452] of the attribute to remove.

Exceptions

DOMException [p.24]	NO_MODIFICATION_ALLOWED_ERR: Raised if this node is readonly.
------------------------	---

No Return Value`removeAttributeNode`

Removes the specified attribute node. If the removed `Attr` [p.57] has a default value it is immediately replaced. The replacing attribute has the same namespace URI and local name, as well as the original prefix, when applicable.

Parameters

<code>Attr</code> [p.57]	<code>oldAttr</code>	The <code>Attr</code> node to remove from the attribute list.
--------------------------	----------------------	---

Return Value

<code>Attr</code> [p.57]	The <code>Attr</code> node that was removed.
--------------------------	--

Exceptions

DOMException [p.24]	NO_MODIFICATION_ALLOWED_ERR: Raised if this node is readonly.
	NOT_FOUND_ERR: Raised if <code>oldAttr</code> is not an attribute of the element.

`setAttribute`

Adds a new attribute. If an attribute with that name is already present in the element, its value is changed to be that of the value parameter. This value is a simple string; it is not parsed as it is being set. So any markup (such as syntax to be recognized as an entity reference) is treated as literal text, and needs to be appropriately escaped by the implementation when it is written out. In order to assign an attribute value that contains entity references, the user must create an `Attr` [p.57] node plus any `Text` [p.67] and `EntityReference` [p.72] nodes, build the appropriate subtree, and use `setAttributeNode` to assign it as the value of an attribute.

To set an attribute with a qualified name and namespace URI, use the `setAttributeNS` method.

Parameters

DOMString [p.21]	name	The name of the attribute to create or alter.
DOMString	value	Value to set in string form.

Exceptions

DOMException [p.24]	INVALID_CHARACTER_ERR: Raised if the specified name contains an illegal character.
	NO_MODIFICATION_ALLOWED_ERR: Raised if this node is readonly.

No Return Value

`setAttributeNS` introduced in **DOM Level 2**

Adds a new attribute. If an attribute with the same local name and namespace URI is already present on the element, its prefix is changed to be the prefix part of the `qualifiedName`, and its value is changed to be the `value` parameter. This value is a simple string; it is not parsed as it is being set. So any markup (such as syntax to be recognized as an entity reference) is treated as literal text, and needs to be appropriately escaped by the implementation when it is written out. In order to assign an attribute value that contains entity references, the user must create an `Attr` [p.57] node plus any `Text` [p.67] and `EntityReference` [p.72] nodes, build the appropriate subtree, and use `setAttributeNodeNS` or `setAttributeNode` to assign it as the value of an attribute.

HTML-only DOM implementations do not need to implement this method.

Parameters

DOMString [p.21]	namespaceURI	The <i>namespace URI</i> [p.452] of the attribute to create or alter.
DOMString	qualifiedName	The <i>qualified name</i> [p.452] of the attribute to create or alter.
DOMString	value	The value to set in string form.

Exceptions

DOMException
[p.24]

INVALID_CHARACTER_ERR: Raised if the specified qualified name contains an illegal character.

NO_MODIFICATION_ALLOWED_ERR: Raised if this node is readonly.

NAMESPACE_ERR: Raised if the `qualifiedName` is malformed, if the `qualifiedName` has a prefix and the `namespaceURI` is null or an empty string, if the `qualifiedName` has a prefix that is "xml" and the `namespaceURI` is different from "http://www.w3.org/XML/1998/namespace", if the `qualifiedName` has a prefix that is "xmlns" and the `namespaceURI` is different from "http://www.w3.org/2000/xmlns/", or if the `qualifiedName` is "xmlns" and the `namespaceURI` is different from "http://www.w3.org/2000/xmlns/".

No Return Value

`setAttributeNode`

Adds a new attribute node. If an attribute with that name (`nodeName`) is already present in the element, it is replaced by the new one.

To add a new attribute node with a qualified name and namespace URI, use the `setAttributeNodeNS` method.

Parameters

`Attr` [p.57] `newAttr` The `Attr` node to add to the attribute list.

Return Value

`Attr` [p.57] If the `newAttr` attribute replaces an existing attribute, the replaced `Attr` node is returned, otherwise `null` is returned.

Exceptions

DOMException [p.24]	<p>WRONG_DOCUMENT_ERR: Raised if <code>newAttr</code> was created from a different document than the one that created the element.</p> <p>NO_MODIFICATION_ALLOWED_ERR: Raised if this node is readonly.</p> <p>INUSE_ATTRIBUTE_ERR: Raised if <code>newAttr</code> is already an attribute of another <code>Element</code> object. The DOM user must explicitly clone <code>Attr</code> [p.57] nodes to re-use them in other elements.</p>
------------------------	--

`setAttributeNodeNS` introduced in **DOM Level 2**

Adds a new attribute. If an attribute with that local name and that namespace URI is already present in the element, it is replaced by the new one.

HTML-only DOM implementations do not need to implement this method.

Parameters

<code>Attr</code> [p.57]	<code>newAttr</code>	The <code>Attr</code> node to add to the attribute list.
--------------------------	----------------------	--

Return Value

<code>Attr</code> [p.57]	If the <code>newAttr</code> attribute replaces an existing attribute with the same <i>local name</i> [p.452] and <i>namespace URI</i> [p.452], the replaced <code>Attr</code> node is returned, otherwise <code>null</code> is returned.
-----------------------------	--

Exceptions

DOMException [p.24]	<p>WRONG_DOCUMENT_ERR: Raised if <code>newAttr</code> was created from a different document than the one that created the element.</p> <p>NO_MODIFICATION_ALLOWED_ERR: Raised if this node is readonly.</p> <p>INUSE_ATTRIBUTE_ERR: Raised if <code>newAttr</code> is already an attribute of another <code>Element</code> object. The DOM user must explicitly clone <code>Attr</code> [p.57] nodes to re-use them in other elements.</p>
------------------------	--

Interface *Text*

The `Text` interface inherits from `CharacterData` [p.53] and represents the textual content (termed *character data* in XML) of an `Element` [p.59] or `Attr` [p.57]. If there is no markup inside an element's content, the text is contained in a single object implementing the `Text` interface that is

the only child of the element. If there is markup, it is parsed into the *information items* [p.451] (elements, comments, etc.) and `Text` nodes that form the list of children of the element.

When a document is first made available via the DOM, there is only one `Text` node for each block of text. Users may create adjacent `Text` nodes that represent the contents of a given element without any intervening markup, but should be aware that there is no way to represent the separations between these nodes in XML or HTML, so they will not (in general) persist between DOM editing sessions. The `normalize()` method on `Element` [p.59] merges any such adjacent `Text` objects into a single node for each block of text.

IDL Definition

```
interface Text : CharacterData {
    Text          splitText(in unsigned long offset)
                                   raises(DOMException);
};
```

Methods

`splitText`

Breaks this node into two nodes at the specified `offset`, keeping both in the tree as siblings. This node then only contains all the content up to the `offset` point. A new node of the same type, which is inserted as the next sibling of this node, contains all the content at and after the `offset` point. When the `offset` is equal to the length of this node, the new node has no data.

Parameters

<code>unsigned long</code>	<code>offset</code>	The <i>16-bit unit</i> [p.449] offset at which to split, starting from 0.
----------------------------	---------------------	---

Return Value

<code>Text</code> [p.67]	The new node, of the same type as this node.
--------------------------	--

Exceptions

<code>DOMException</code> [p.24]	<code>INDEX_SIZE_ERR</code> : Raised if the specified offset is negative or greater than the number of 16-bit units in <code>data</code> .
	<code>NO_MODIFICATION_ALLOWED_ERR</code> : Raised if this node is readonly.

Interface Comment

This interface inherits from `CharacterData` [p.53] and represents the content of a comment, i.e., all the characters between the starting '`<!--`' and ending '`-->`'. Note that this is the definition of a comment in XML, and, in practice, HTML, although some HTML tools may implement the full SGML comment structure.

IDL Definition

```
interface Comment : CharacterData {
};
```

1.3. Extended Interfaces

The interfaces defined here form part of the DOM Core specification, but objects that expose these interfaces will never be encountered in a DOM implementation that deals only with HTML. As such, HTML-only DOM implementations do not need to have objects that implement these interfaces.

A DOM application can use the `hasFeature` method of the `DOMImplementation` [p.26] interface to determine whether they are supported or not. The feature string for all the interfaces listed in this section is "XML".

Interface *CDATASection*

CDATA sections are used to escape blocks of text containing characters that would otherwise be regarded as markup. The only delimiter that is recognized in a CDATA section is the "]]>" string that ends the CDATA section. CDATA sections cannot be nested. Their primary purpose is for including material such as XML fragments, without needing to escape all the delimiters.

The `DOMString` [p.21] attribute of the `Text` [p.67] node holds the text that is contained by the CDATA section. Note that this *may* contain characters that need to be escaped outside of CDATA sections and that, depending on the character encoding ("charset") chosen for serialization, it may be impossible to write out some characters as part of a CDATA section.

The `CDATASection` interface inherits from the `CharacterData` [p.53] interface through the `Text` [p.67] interface. Adjacent `CDATASection` nodes are not merged by use of the `normalize` method of the `Element` [p.59] interface.

Note: Because no markup is recognized within a `CDATASection`, character numeric references cannot be used as an escape mechanism when serializing. Therefore, action needs to be taken when serializing a `CDATASection` with a character encoding where some of the contained characters cannot be represented. Failure to do so would not produce well-formed XML.

One potential solution in the serialization process is to end the CDATA section before the character, output the character using a character reference or entity reference, and open a new CDATA section for any further characters in the text node. Note, however, that some code conversion libraries at the time of writing do not return an error or exception when a character is missing from the encoding, making the task of ensuring that data is not corrupted on serialization more difficult.

IDL Definition

```
interface CDATASection : Text {
};
```

Interface *DocumentType*

Each Document [p.29] has a `doctype` attribute whose value is either `null` or a `DocumentType` object. The `DocumentType` interface in the DOM Core provides an interface to the list of entities that are defined for the document, and little else because the effect of namespaces and the various XML schema efforts on DTD representation are not clearly understood as of this writing.

The DOM Level 2 doesn't support editing `DocumentType` nodes.

IDL Definition

```
interface DocumentType : Node {
  readonly attribute DOMString      name;
  readonly attribute NamedNodeMap   entities;
  readonly attribute NamedNodeMap   notations;
  // Introduced in DOM Level 2:
  readonly attribute DOMString      publicId;
  // Introduced in DOM Level 2:
  readonly attribute DOMString      systemId;
  // Introduced in DOM Level 2:
  readonly attribute DOMString      internalSubset;
};
```

Attributes

`entities` of type `NamedNodeMap` [p.49], `readonly`

A `NamedNodeMap` [p.49] containing the general entities, both external and internal, declared in the DTD. Parameter entities are not contained. Duplicates are discarded. For example in:

```
<!DOCTYPE ex SYSTEM "ex.dtd" [
  <!ENTITY foo "foo">
  <!ENTITY bar "bar">
  <!ENTITY bar "bar2">
  <!ENTITY % baz "baz">
]>
<ex/>
```

the interface provides access to `foo` and the first declaration of `bar` but not the second declaration of `bar` or `baz`. Every node in this map also implements the `Entity` [p.71] interface.

The DOM Level 2 does not support editing entities, therefore `entities` cannot be altered in any way.

`internalSubset` of type `DOMString` [p.21], `readonly`, introduced in **DOM Level 2**

The internal subset as a string.

Note: The actual content returned depends on how much information is available to the implementation. This may vary depending on various parameters, including the XML processor used to build the document.

`name` of type `DOMString` [p.21], `readonly`

The name of DTD; i.e., the name immediately following the `DOCTYPE` keyword.

notations of type `NamedNodeMap` [p.49] , readonly

A `NamedNodeMap` [p.49] containing the notations declared in the DTD. Duplicates are discarded. Every node in this map also implements the `Notation` [p.71] interface.

The DOM Level 2 does not support editing notations, therefore notations cannot be altered in any way.

`publicId` of type `DOMString` [p.21] , readonly, introduced in **DOM Level 2**

The public identifier of the external subset.

`systemId` of type `DOMString` [p.21] , readonly, introduced in **DOM Level 2**

The system identifier of the external subset.

Interface *Notation*

This interface represents a notation declared in the DTD. A notation either declares, by name, the format of an unparsed entity (see section 4.7 of the XML 1.0 specification), or is used for formal declaration of processing instruction targets (see section 2.6 of the XML 1.0 specification). The `nodeName` attribute inherited from `Node` [p.39] is set to the declared name of the notation.

The DOM Level 1 does not support editing `Notation` nodes; they are therefore readonly.

A `Notation` node does not have any parent.

IDL Definition

```
interface Notation : Node {
    readonly attribute DOMString    publicId;
    readonly attribute DOMString    systemId;
};
```

Attributes

`publicId` of type `DOMString` [p.21] , readonly

The public identifier of this notation. If the public identifier was not specified, this is `null`.

`systemId` of type `DOMString` [p.21] , readonly

The system identifier of this notation. If the system identifier was not specified, this is `null`.

Interface *Entity*

This interface represents an entity, either parsed or unparsed, in an XML document. Note that this models the entity itself *not* the entity declaration. `Entity` declaration modeling has been left for a later Level of the DOM specification.

The `nodeName` attribute that is inherited from `Node` [p.39] contains the name of the entity.

An XML processor may choose to completely expand entities before the structure model is passed to the DOM; in this case there will be no `EntityReference` [p.72] nodes in the document tree.

XML does not mandate that a non-validating XML processor read and process entity declarations made in the external subset or declared in external parameter entities. This means that parsed entities declared in the external subset need not be expanded by some classes of applications, and that the replacement value of the entity may not be available. When the replacement value is available, the corresponding `Entity` node's child list represents the structure of that replacement text. Otherwise, the child list is empty.

The DOM Level 2 does not support editing `Entity` nodes; if a user wants to make changes to the contents of an `Entity`, every related `EntityReference` [p.72] node has to be replaced in the structure model by a clone of the `Entity`'s contents, and then the desired changes must be made to each of those clones instead. All the descendants of an `Entity` node are readonly.

An `Entity` node does not have any parent.

Note: If the entity contains an unbound *namespace prefix* [p.452], the `namespaceURI` of the corresponding node in the `Entity` node subtree is `null`. The same is true for `EntityReference` [p.72] nodes that refer to this entity, when they are created using the `createEntityReference` method of the `Document` [p.29] interface. The DOM Level 2 does not support any mechanism to resolve namespace prefixes.

IDL Definition

```
interface Entity : Node {
    readonly attribute DOMString      publicId;
    readonly attribute DOMString      systemId;
    readonly attribute DOMString      notationName;
};
```

Attributes

`notationName` of type `DOMString` [p.21], readonly
For unparsed entities, the name of the notation for the entity. For parsed entities, this is `null`.

`publicId` of type `DOMString` [p.21], readonly
The public identifier associated with the entity, if specified. If the public identifier was not specified, this is `null`.

`systemId` of type `DOMString` [p.21], readonly
The system identifier associated with the entity, if specified. If the system identifier was not specified, this is `null`.

Interface *EntityReference*

`EntityReference` objects may be inserted into the structure model when an entity reference is in the source document, or when the user wishes to insert an entity reference. Note that character references and references to predefined entities are considered to be expanded by the HTML or XML processor so that characters are represented by their Unicode equivalent rather than by an entity reference. Moreover, the XML processor may completely expand references to entities while building the structure model, instead of providing `EntityReference` objects. If it does provide

such objects, then for a given `EntityReference` node, it may be that there is no `Entity` [p.71] node representing the referenced entity. If such an `Entity` exists, then the subtree of the `EntityReference` node is in general a copy of the `Entity` node subtree. However, this may not be true when an entity contains an unbound *namespace prefix* [p.452]. In such a case, because the namespace prefix resolution depends on where the entity reference is, the descendants of the `EntityReference` node may be bound to different *namespace URIs* [p.452].

As with the `Entity` [p.71] node, all descendants of the `EntityReference` are readonly.

IDL Definition

```
interface EntityReference : Node {
};
```

Interface *ProcessingInstruction*

The `ProcessingInstruction` interface represents a "processing instruction", used in XML as a way to keep processor-specific information in the text of the document.

IDL Definition

```
interface ProcessingInstruction : Node {
  readonly attribute DOMString      target;
  attribute DOMString              data;
                                  // raises(DOMException) on setting
};
```

Attributes

`data` of type `DOMString` [p.21]

The content of this processing instruction. This is from the first non white space character after the target to the character immediately preceding the `?>`.

Exceptions on setting

<code>DOMException</code> [p.24]	<code>NO_MODIFICATION_ALLOWED_ERR</code> : Raised when the node is readonly.
-------------------------------------	--

`target` of type `DOMString` [p.21], readonly

The target of this processing instruction. XML defines this as being the first token following the markup that begins the processing instruction.

1.3. Extended Interfaces

2. Document Object Model HTML

Editors

Arnaud Le Hors, W3C
 Mike Champion, ArborText (for DOM Level 1)
 Vidur Apparao, Netscape (for DOM Level 1)
 Scott Isaacs, Microsoft (for DOM Level 1 until January 1998)
 Chris Wilson, Microsoft (for DOM Level 1 after January 1998)
 Ian Jacobs, W3C (for DOM Level 1)

2.1. Introduction

This section extends the Core API to describe objects and methods specific to HTML documents. In general, the functionality needed to manipulate hierarchical document structures, elements, and attributes will be found in the core section; functionality that depends on the specific elements defined in HTML will be found in this section.

The goals of the HTML-specific DOM API are:

- to specialize and add functionality that relates specifically to HTML documents and elements.
- to address issues of backwards compatibility with the *DOM Level 0* [p.450] .
- to provide convenience mechanisms, where appropriate, for common and frequent operations on HTML documents.

The key differences between the core DOM and the HTML application of DOM is that the HTML Document Object Model exposes a number of convenience methods and properties that are consistent with the existing models and are more appropriate to script writers. In many cases, these enhancements are not applicable to a general DOM because they rely on the presence of a predefined DTD. The transitional and frameset DTDs for HTML 4.0 are assumed. Interoperability between implementations is only guaranteed for elements and attributes that are specified in the HTML 4.0 DTDs.

More specifically, this document includes the following specializations for HTML:

- An `HTMLDocument` [p.78] interface, derived from the core `Document` [p.29] interface. `HTMLDocument` specifies the operations and queries that can be made on a HTML document.
- An `HTMLElement` [p.82] interface, derived from the core `Element` [p.59] interface. `HTMLElement` specifies the operations and queries that can be made on any HTML element. Methods on `HTMLElement` include those that allow for the retrieval and modification of attributes that apply to all HTML elements.
- Specializations for all HTML elements that have attributes that extend beyond those specified in the `HTMLElement` [p.82] interface. For all such attributes, the derived interface for the element contains explicit methods for setting and getting the values.

The DOM Level 2 includes mechanisms to access and modify style specified through CSS and defines an event model that can be used with HTML documents.

The interfaces found within this section are not mandatory. A DOM application can use the `hasFeature` method of the `DOMImplementation` [p.26] interface to determine whether they are supported or not. The feature string for all the interfaces listed in this section is "HTML".

The interfaces in this specification are designed for HTML 4.0 documents, and not for XHTML 1.0 documents. Use of the HTML DOM with XHTML 1.0 documents may result in incorrect processing; see Appendix C11 in [XHTML10] for more information.

2.2. HTML Application of Core DOM

2.2.1. Naming Conventions

The HTML DOM follows a naming convention for properties, methods, events, collections, and data types. All names are defined as one or more English words concatenated together to form a single string.

2.2.1.1. Properties and Methods

The property or method name starts with the initial keyword in lowercase, and each subsequent word starts with a capital letter. For example, a property that returns document meta information such as the date the file was created might be named "fileDateCreated". In the ECMAScript binding, properties are exposed as properties of a given object. In Java, properties are exposed with get and set methods.

2.2.1.2. Non-HTML 4.0 interfaces and attributes

While most of the interfaces defined below can be mapped directly to elements defined in the HTML 4.0 Recommendation, some of them cannot. Similarly, not all attributes listed below have counterparts in the HTML 4.0 specification (and some do, but have been renamed to avoid conflicts with scripting languages). Interfaces and attribute definitions that have links to the HTML 4.0 specification have corresponding element and attribute definitions there; all others are added by this specification, either for convenience or backwards compatibility with *DOM Level 0* [p.450] implementations.

2.3. Miscellaneous Object Definitions

Interface *HTMLDOMImplementation* (introduced in **DOM Level 2**)

The `HTMLDOMImplementation` interface extends the `DOMImplementation` [p.26] interface with a method for creating an HTML document instance.

IDL Definition

```
// Introduced in DOM Level 2:
interface HTMLDOMImplementation : DOMImplementation {
    HTMLDocument      createHTMLDocument(in DOMString title);
};
```

Methods

createHTMLDocument

Creates an `HTMLDocument` [p.78] object with the minimal tree made of the following elements: `HTML`, `HEAD`, `TITLE`, and `BODY`.

Parameters

<code>DOMString</code> [p.21]	<code>title</code>	The title of the document to be set as the content of the <code>TITLE</code> element, through a child <code>Text</code> [p.67] node.
----------------------------------	--------------------	--

Return Value

<code>HTMLDocument</code> [p.78]	A new <code>HTMLDocument</code> object.
----------------------------------	---

No Exceptions**Interface *HTMLCollection***

An `HTMLCollection` is a list of nodes. An individual node may be accessed by either ordinal index or the node's `name` or `id` attributes. *Note:* Collections in the HTML DOM are assumed to be *live* meaning that they are automatically updated when the underlying document is changed.

IDL Definition

```
interface HTMLCollection {
  readonly attribute unsigned long   length;
  Node                               item(in unsigned long index);
  Node                               namedItem(in DOMString name);
};
```

Attributes

`length` of type `unsigned long`, `readonly`
This attribute specifies the length or *size* of the list.

Methods**item**

This method retrieves a node specified by ordinal index. Nodes are numbered in tree order (depth-first traversal order).

Parameters

<code>unsigned long</code>	<code>index</code>	The index of the node to be fetched. The index origin is 0.
----------------------------	--------------------	---

Return Value

<code>Node</code> [p.39]	The <code>Node</code> at the corresponding position upon success. A value of <code>null</code> is returned if the index is out of range.
-----------------------------	--

No Exceptions

namedItem

This method retrieves a `Node` [p.39] using a name. It first searches for a `Node` with a matching `id` attribute. If it doesn't find one, it then searches for a `Node` with a matching `name` attribute, but only on those elements that are allowed a `name` attribute.

Parameters

<code>DOMString</code> [p.21]	<code>name</code>	The name of the <code>Node</code> [p.39] to be fetched.
-------------------------------	-------------------	---

Return Value

<code>Node</code> [p.39]	The <code>Node</code> with a <code>name</code> or <code>id</code> attribute whose value corresponds to the specified string. Upon failure (e.g., no node with this name exists), returns <code>null</code> .
--------------------------	--

No Exceptions

2.4. Objects related to HTML documents

Interface *HTMLDocument*

An `HTMLDocument` is the root of the HTML hierarchy and holds the entire content. Besides providing access to the hierarchy, it also provides some convenience methods for accessing certain sets of information from the document.

The following properties have been deprecated in favor of the corresponding ones for the `BODY` element:

- `alinkColor`
- `background`
- `bgColor`
- `fgColor`
- `linkColor`
- `vlinkColor`

Note: In DOM Level 2, the method `getElementById` is inherited from the `Document` [p.29] interface where it was moved.

IDL Definition

```
interface HTMLDocument : Document {
    attribute DOMString          title;
    readonly attribute DOMString referrer;
    readonly attribute DOMString domain;
    readonly attribute DOMString URL;
    attribute HTMLCollection    body;
    readonly attribute HTMLCollection images;
```

2.4. Objects related to HTML documents

```
readonly attribute HTMLCollection  applets;
readonly attribute HTMLCollection  links;
readonly attribute HTMLCollection  forms;
readonly attribute HTMLCollection  anchors;
        attribute DOMString        cookie;

void          open();
void          close();
void          write(in DOMString text);
void          writeln(in DOMString text);
NodeList      getElementsByName(in DOMString elementName);
};
```

Attributes

URL of type `DOMString` [p.21] , readonly
The complete URI of the document.

anchors of type `HTMLCollection` [p.77] , readonly
A collection of all the anchor (A) elements in a document with a value for the name attribute. *Note.* For reasons of backwards compatibility, the returned set of anchors only contains those anchors created with the name attribute, not those created with the id attribute.

applets of type `HTMLCollection` [p.77] , readonly
A collection of all the OBJECT elements that include applets and APPLET (*deprecated*) elements in a document.

body of type `HTMLElement` [p.82]
The element that contains the content for the document. In documents with BODY contents, returns the BODY element. In frameset documents, this returns the outermost FRAMESET element.

cookie of type `DOMString` [p.21]
The cookies associated with this document. If there are none, the value is an empty string. Otherwise, the value is a string: a semicolon-delimited list of "name, value" pairs for all the cookies associated with the page. For example, name=value; expires=date.

domain of type `DOMString` [p.21] , readonly
The domain name of the server that served the document, or null if the server cannot be identified by a domain name.

forms of type `HTMLCollection` [p.77] , readonly
A collection of all the forms of a document.

images of type `HTMLCollection` [p.77] , readonly
A collection of all the IMG elements in a document. The behavior is limited to IMG elements for backwards compatibility.

links of type `HTMLCollection` [p.77] , readonly
A collection of all AREA elements and anchor (A) elements in a document with a value for the href attribute.

`referrer` of type `DOMString` [p.21] , readonly

Returns the URI of the page that linked to this page. The value is an empty string if the user navigated to the page directly (not through a link, but, for example, via a bookmark).

`title` of type `DOMString` [p.21]

The title of a document as specified by the `TITLE` element in the head of the document.

Methods

`close`

Closes a document stream opened by `open()` and forces rendering.

No Parameters

No Return Value

No Exceptions

`getElementsByTagName`

Returns the (possibly empty) collection of elements whose name value is given by `elementName`.

Parameters

<code>DOMString</code> [p.21]	<code>elementName</code>	The name attribute value for an element.
----------------------------------	--------------------------	--

Return Value

<code>NodeList</code> [p.48]	The matching elements.
------------------------------	------------------------

No Exceptions

`open`

Note. This method and the ones following allow a user to add to or replace the structure model of a document using strings of unparsed HTML. At the time of writing alternate methods for providing similar functionality for both HTML and XML documents were being considered. The following methods may be deprecated at some point in the future in favor of a more general-purpose mechanism.

Open a document stream for writing. If a document exists in the target, this method clears it.

No Parameters

No Return Value

No Exceptions

`write`

Write a string of text to a document stream opened by `open()`. The text is parsed into the document's structure model.

Parameters

DOMString [p.21]	text	The string to be parsed into some structure in the document structure model.
---------------------	------	--

No Return Value
No Exceptions

writeln

Write a string of text followed by a newline character to a document stream opened by `open()`. The text is parsed into the document's structure model.

Parameters

DOMString [p.21]	text	The string to be parsed into some structure in the document structure model.
---------------------	------	--

No Return Value
No Exceptions

2.5. HTML Elements

2.5.1. Property Attributes

HTML attributes are exposed as properties on the element object. The DOM naming conventions always determine the name of the exposed property, and is independent of the case of the attribute in the source document. The data type of the property is determined by the type of the attribute as determined by the HTML 4.0 transitional and frameset DTDs. The attributes have the semantics (including case-sensitivity) given in the HTML 4.0 specification.

The attributes are exposed as properties for compatibility with *DOM Level 0* [p.450]. This usage is deprecated because it can not be generalized to all possible attribute names, as is required both for XML and potentially for future versions of HTML. We recommend the use of generic methods on the core `Element` [p.59] interface for setting, getting and removing attributes.

DTD Data Type	Object Model Data Type
CDATA	DOMString
Value list (e.g., (left right center))	DOMString
one-value Value list (e.g., (disabled))	boolean
Number	long int

The return value of an attribute that has a data type that is a value list is always capitalized, independent of the case of the value in the source document. For example, if the value of the `align` attribute on a `P` element is "left" then it is returned as "Left". For attributes with the `CDATA` data type, the case of the return value is that given in the source document.

The return value of an attribute that is unspecified and does not have a default value is the empty string if the return type is a DOMString, false if the return type is a boolean and 0 if the return type is a number.

2.5.2. Naming Exceptions

To avoid namespace conflicts, an attribute with the same name as a keyword in one of our chosen binding languages is prefixed. For HTML, the prefix used is "html". For example, the `for` attribute of the `LABEL` element collides with loop construct naming conventions and is renamed `htmlFor`.

2.5.3. Exposing Element Type Names (`tagName`)

The element type names exposed through a property are in uppercase. For example, the body element type name is exposed through the `tagName` property as `BODY`.

2.5.4. The `HTMLInputElement` interface

Interface *HTMLInputElement*

All HTML element interfaces derive from this class. Elements that only expose the HTML core attributes are represented by the base `HTMLInputElement` interface. These elements are as follows:

- `HEAD`
- special: `SUB`, `SUP`, `SPAN`, `BDO`
- font: `TT`, `I`, `B`, `U`, `S`, `STRIKE`, `BIG`, `SMALL`
- phrase: `EM`, `STRONG`, `DFN`, `CODE`, `SAMP`, `KBD`, `VAR`, `CITE`, `ACRONYM`, `ABBR`
- list: `DD`, `DT`
- `NOFRAMES`, `NOSCRIPT`
- `ADDRESS`, `CENTER`

Note: The `style` attribute of an HTML element is accessible through the `ElementCSSInlineStyle` [p.161] interface which is defined in the Document Object Model CSS [p.135].

IDL Definition

```
interface HTMLInputElement : Element {
    attribute DOMString    id;
    attribute DOMString    title;
    attribute DOMString    lang;
    attribute DOMString    dir;
    attribute DOMString    className;
};
```

Attributes

`className` of type `DOMString` [p.21]

The class attribute of the element. This attribute has been renamed due to conflicts with the "class" keyword exposed by many languages. See the class attribute definition in HTML 4.0.

`dir` of type `DOMString` [p.21]

Specifies the base direction of directionally neutral text and the directionality of tables. See the `dir` attribute definition in HTML 4.0.

`id` of type `DOMString` [p.21]

The element's identifier. See the `id` attribute definition in HTML 4.0.

`lang` of type `DOMString` [p.21]

Language code defined in RFC 1766. See the `lang` attribute definition in HTML 4.0.

`title` of type `DOMString` [p.21]

The element's advisory title. See the `title` attribute definition in HTML 4.0.

2.5.5. Object definitions

Interface *HTMLHtmlElement*

Root of an HTML document. See the HTML element definition in HTML 4.0.

IDL Definition

```
interface HTMLHtmlElement : HTMLElement {
    attribute DOMString    version;
};
```

Attributes

`version` of type `DOMString` [p.21]

Version information about the document's DTD. See the `version` attribute definition in HTML 4.0. This attribute is deprecated in HTML 4.0.

Interface *HTMLHeadElement*

Document head information. See the HEAD element definition in HTML 4.0.

IDL Definition

```
interface HTMLHeadElement : HTMLElement {
    attribute DOMString    profile;
};
```

Attributes

`profile` of type `DOMString` [p.21]

URI designating a metadata profile. See the `profile` attribute definition in HTML 4.0.

Interface *HTMMLinkElement*

The LINK element specifies a link to an external resource, and defines this document's relationship to that resource (or vice versa). See the LINK element definition in HTML 4.0 (see also the `LinkStyle` [p.133] interface in the Document Object Model StyleSheets [p.129] module).

IDL Definition

```

interface HTMLLinkElement : HTMLElement {
    attribute boolean        disabled;
    attribute DOMString      charset;
    attribute DOMString      href;
    attribute DOMString      hreflang;
    attribute DOMString      media;
    attribute DOMString      rel;
    attribute DOMString      rev;
    attribute DOMString      target;
    attribute DOMString      type;
};

```

Attributes

charset of type DOMString [p.21]

The character encoding of the resource being linked to. See the charset attribute definition in HTML 4.0.

disabled of type boolean

Enables/disables the link. This is currently only used for style sheet links, and may be used to activate or deactivate style sheets.

href of type DOMString [p.21]

The URI of the linked resource. See the href attribute definition in HTML 4.0.

hreflang of type DOMString [p.21]

Language code of the linked resource. See the hreflang attribute definition in HTML 4.0.

media of type DOMString [p.21]

Designed for use with one or more target media. See the media attribute definition in HTML 4.0.

rel of type DOMString [p.21]

Forward link type. See the rel attribute definition in HTML 4.0.

rev of type DOMString [p.21]

Reverse link type. See the rev attribute definition in HTML 4.0.

target of type DOMString [p.21]

Frame to render the resource in. See the target attribute definition in HTML 4.0.

type of type DOMString [p.21]

Advisory content type. See the type attribute definition in HTML 4.0.

Interface *HTMLTitleElement*

The document title. See the TITLE element definition in HTML 4.0.

IDL Definition

```
interface HTMLTitleElement : HTMLElement {
    attribute DOMString    text;
};
```

Attributes

text of type DOMString [p.21]
The specified title as a string.

Interface *HTMLMetaElement*

This contains generic meta-information about the document. See the META element definition in HTML 4.0.

IDL Definition

```
interface HTMLMetaElement : HTMLElement {
    attribute DOMString    content;
    attribute DOMString    httpEquiv;
    attribute DOMString    name;
    attribute DOMString    scheme;
};
```

Attributes

content of type DOMString [p.21]
Associated information. See the content attribute definition in HTML 4.0.

httpEquiv of type DOMString [p.21]
HTTP response header name. See the http-equiv attribute definition in HTML 4.0.

name of type DOMString [p.21]
Meta information name. See the name attribute definition in HTML 4.0.

scheme of type DOMString [p.21]
Select form of content. See the scheme attribute definition in HTML 4.0.

Interface *HTMLBaseElement*

Document base URI. See the BASE element definition in HTML 4.0.

IDL Definition

```
interface HTMLBaseElement : HTMLElement {
    attribute DOMString    href;
    attribute DOMString    target;
};
```

Attributes

href of type DOMString [p.21]
The base URI. See the href attribute definition in HTML 4.0.

target of type DOMString [p.21]
The default target frame. See the target attribute definition in HTML 4.0.

Interface *HTMLIsIndexElement*

This element is used for single-line text input. See the ISINDEX element definition in HTML 4.0. This element is deprecated in HTML 4.0.

IDL Definition

```
interface HTMLIsIndexElement : HTMLInputElement {
    readonly attribute HTMLFormElement form;
    attribute DOMString prompt;
};
```

Attributes

form of type HTMLFormElement [p.87] , readonly

Returns the FORM element containing this control. Returns null if this control is not within the context of a form.

prompt of type DOMString [p.21]

The prompt message. See the prompt attribute definition in HTML 4.0. This attribute is deprecated in HTML 4.0.

Interface *HTMLStyleElement*

Style information. See the STYLE element definition in HTML 4.0, the Document Object Model CSS [p.135] module and the LinkStyle [p.133] interface in the Document Object Model StyleSheets [p.129] module.

IDL Definition

```
interface HTMLStyleElement : HTMLInputElement {
    attribute boolean disabled;
    attribute DOMString media;
    attribute DOMString type;
};
```

Attributes

disabled of type boolean

Enables/disables the style sheet.

media of type DOMString [p.21]

Designed for use with one or more target media. See the media attribute definition in HTML 4.0.

type of type DOMString [p.21]

The content type of the style sheet language. See the type attribute definition in HTML 4.0.

Interface *HTMLBodyElement*

The HTML document body. This element is always present in the DOM API, even if the tags are not present in the source document. See the BODY element definition in HTML 4.0.

IDL Definition

```
interface HTMLBodyElement : HTMLElement {
    attribute DOMString      aLink;
    attribute DOMString      background;
    attribute DOMString      bgColor;
    attribute DOMString      link;
    attribute DOMString      text;
    attribute DOMString      vLink;
};
```

Attributes

aLink of type DOMString [p.21]

Color of active links (after mouse-button down, but before mouse-button up). See the aLink attribute definition in HTML 4.0. This attribute is deprecated in HTML 4.0.

background of type DOMString [p.21]

URI of the background texture tile image. See the background attribute definition in HTML 4.0. This attribute is deprecated in HTML 4.0.

bgColor of type DOMString [p.21]

Document background color. See the bgColor attribute definition in HTML 4.0. This attribute is deprecated in HTML 4.0.

link of type DOMString [p.21]

Color of links that are not active and unvisited. See the link attribute definition in HTML 4.0. This attribute is deprecated in HTML 4.0.

text of type DOMString [p.21]

Document text color. See the text attribute definition in HTML 4.0. This attribute is deprecated in HTML 4.0.

vLink of type DOMString [p.21]

Color of links that have been visited by the user. See the vLink attribute definition in HTML 4.0. This attribute is deprecated in HTML 4.0.

Interface *HTMLFormElement*

The FORM element encompasses behavior similar to a collection and an element. It provides direct access to the contained input elements as well as the attributes of the form element. See the FORM element definition in HTML 4.0.

IDL Definition

```
interface HTMLFormElement : HTMLElement {
    readonly attribute HTMLCollection  elements;
    readonly attribute long            length;
    attribute DOMString               name;
    attribute DOMString               acceptCharset;
    attribute DOMString               action;
    attribute DOMString               enctype;
    attribute DOMString               method;
```

```

        attribute DOMString      target;
void      submit();
void      reset();
};

```

Attributes

`acceptCharset` of type `DOMString` [p.21]

List of character sets supported by the server. See the `accept-charset` attribute definition in HTML 4.0.

`action` of type `DOMString` [p.21]

Server-side form handler. See the `action` attribute definition in HTML 4.0.

`elements` of type `HTMLCollection` [p.77], `readonly`

Returns a collection of all control elements in the form.

`enctype` of type `DOMString` [p.21]

The content type of the submitted form, generally "application/x-www-form-urlencoded". See the `enctype` attribute definition in HTML 4.0.

`length` of type `long`, `readonly`

The number of form controls in the form.

`method` of type `DOMString` [p.21]

HTTP method used to submit form. See the `method` attribute definition in HTML 4.0.

`name` of type `DOMString` [p.21]

Names the form.

`target` of type `DOMString` [p.21]

Frame to render the resource in. See the `target` attribute definition in HTML 4.0.

Methods

`reset`

Restores a form element's default values. It performs the same action as a reset button.

No Parameters

No Return Value

No Exceptions

`submit`

Submits the form. It performs the same action as a submit button.

No Parameters

No Return Value

No Exceptions

Interface *HTMLSelectElement*

The select element allows the selection of an option. The contained options can be directly accessed through the select element as a collection. See the SELECT element definition in HTML 4.0.

IDL Definition

```
interface HTMLSelectElement : HTMLElement {
  readonly attribute DOMString      type;
        attribute long              selectedIndex;
        attribute DOMString         value;
  readonly attribute long            length;
  readonly attribute HTMLFormElement form;
  readonly attribute HTMLCollection options;
        attribute boolean           disabled;
        attribute boolean           multiple;
        attribute DOMString         name;
        attribute long              size;
        attribute long              tabIndex;
  void      add(in HTMLElement element,
               in HTMLElement before)
               raises(DOMException);
  void      remove(in long index);
  void      blur();
  void      focus();
};
```

Attributes

disabled of type boolean

The control is unavailable in this context. See the disabled attribute definition in HTML 4.0.

form of type HTMLFormElement [p.87] , readonly

Returns the FORM element containing this control. Returns null if this control is not within the context of a form.

length of type long, readonly

The number of options in this SELECT.

multiple of type boolean

If true, multiple OPTION elements may be selected in this SELECT. See the multiple attribute definition in HTML 4.0.

name of type DOMString [p.21]

Form control or object name when submitted with a form. See the name attribute definition in HTML 4.0.

options of type HTMLCollection [p.77] , readonly

The collection of OPTION elements contained by this element.

selectedIndex of type long

The ordinal index of the selected option, starting from 0. The value -1 is returned if no element is selected. If multiple options are selected, the index of the first selected option is returned.

size of type long

Number of visible rows. See the size attribute definition in HTML 4.0.

tabIndex of type long

Index that represents the element's position in the tabbing order. See the tabIndex attribute definition in HTML 4.0.

type of type DOMString [p.21] , readonly

The type of this form control. This is the string "select-multiple" when the multiple attribute is true and the string "select-one" when false.

value of type DOMString [p.21]

The current form control value.

Methods

add

Add a new element to the collection of OPTION elements for this SELECT. This method is the equivalent of the appendChild method of the Node [p.39] interface if the before parameter is null. It is equivalent to the insertBefore method on the parent of before in all other cases.

Parameters

HTMLInputElement [p.82]	element	The element to add.
HTMLInputElement	before	The element to insert before, or null for the tail of the list.

Exceptions

DOMException [p.24]	NOT_FOUND_ERR: Raised if before is not a descendant of the SELECT element.
---------------------	--

No Return Value

blur

Removes keyboard focus from this element.

No Parameters

No Return Value

No Exceptions

focus

Gives keyboard focus to this element.

No Parameters

No Return Value

No Exceptions

remove

Remove an element from the collection of OPTION elements for this SELECT. Does nothing if no element has the given index.

Parameters

long index The index of the item to remove, starting from 0.

No Return Value

No Exceptions

Interface *HTMLOptGroupElement*

Group options together in logical subdivisions. See the OPTGROUP element definition in HTML 4.0.

IDL Definition

```
interface HTMLOptGroupElement : HTMLElement {
    attribute boolean      disabled;
    attribute DOMString    label;
};
```

Attributes

disabled of type boolean

The control is unavailable in this context. See the disabled attribute definition in HTML 4.0.

label of type DOMString [p.21]

Assigns a label to this option group. See the label attribute definition in HTML 4.0.

Interface *HTMLOptionElement*

A selectable choice. See the OPTION element definition in HTML 4.0.

IDL Definition

```
interface HTMLOptionElement : HTMLElement {
    readonly attribute HTMLFormElement form;
    attribute boolean      defaultSelected;
    readonly attribute DOMString text;
    readonly attribute long index;
    attribute boolean      disabled;
    attribute DOMString    label;
    attribute boolean      selected;
    attribute DOMString    value;
};
```

Attributes

defaultSelected of type boolean

Represents the value of the HTML selected attribute. The value of this attribute does not change if the state of the corresponding form control, in an interactive user agent, changes. Changing defaultSelected, however, resets the state of the form control. See the

selected attribute definition in HTML 4.0.

disabled of type boolean

The control is unavailable in this context. See the disabled attribute definition in HTML 4.0.

form of type `HTMLFormElement` [p.87] , readonly

Returns the FORM element containing this control. Returns `null` if this control is not within the context of a form.

index of type long, readonly

The index of this OPTION in its parent SELECT, starting from 0.

label of type `DOMString` [p.21]

Option label for use in hierarchical menus. See the label attribute definition in HTML 4.0.

selected of type boolean

Represents the current state of the corresponding form control, in an interactive user agent. Changing this attribute changes the state of the form control, but does not change the value of the HTML selected attribute of the element.

text of type `DOMString` [p.21] , readonly

The text contained within the option element.

value of type `DOMString` [p.21]

The current form control value. See the value attribute definition in HTML 4.0.

Interface *HTMLInputElement*

Form control. *Note.* Depending upon the environment in which the page is being viewed, the value property may be read-only for the file upload input type. For the "password" input type, the actual value returned may be masked to prevent unauthorized use. See the INPUT element definition in HTML 4.0.

IDL Definition

```
interface HTMLInputElement : HTMLElement {
    attribute DOMString      defaultValue;
    attribute boolean        defaultChecked;
    readonly attribute HTMLFormElement form;
    attribute DOMString      accept;
    attribute DOMString      accessKey;
    attribute DOMString      align;
    attribute DOMString      alt;
    attribute boolean        checked;
    attribute boolean        disabled;
    attribute long           maxLength;
    attribute DOMString      name;
    attribute boolean        readOnly;
    attribute DOMString      size;
    attribute DOMString      src;
    attribute long           tabIndex;
```

```

readonly attribute DOMString      type;
      attribute DOMString      useMap;
      attribute DOMString      value;
void      blur();
void      focus();
void      select();
void      click();
};

```

Attributes

accept of type DOMString [p.21]

A comma-separated list of content types that a server processing this form will handle correctly. See the accept attribute definition in HTML 4.0.

accessKey of type DOMString [p.21]

A single character access key to give access to the form control. See the accesskey attribute definition in HTML 4.0.

align of type DOMString [p.21]

Aligns this object (vertically or horizontally) with respect to its surrounding text. See the align attribute definition in HTML 4.0. This attribute is deprecated in HTML 4.0.

alt of type DOMString [p.21]

Alternate text for user agents not rendering the normal content of this element. See the alt attribute definition in HTML 4.0.

checked of type boolean

When the type attribute of the element has the value "Radio" or "Checkbox", this represents the current state of the form control, in an interactive user agent. Changes to this attribute change the state of the form control, but do not change the value of the HTML value attribute of the element.

defaultChecked of type boolean

When type has the value "Radio" or "Checkbox", this represents the HTML checked attribute of the element. The value of this attribute does not change if the state of the corresponding form control, in an interactive user agent, changes. Changes to this attribute, however, resets the state of the form control. See the checked attribute definition in HTML 4.0.

defaultValue of type DOMString [p.21]

When the type attribute of the element has the value "Text", "File" or "Password", this represents the HTML value attribute of the element. The value of this attribute does not change if the contents of the corresponding form control, in an interactive user agent, changes. Changing this attribute, however, resets the contents of the form control. See the value attribute definition in HTML 4.0.

disabled of type boolean

The control is unavailable in this context. See the disabled attribute definition in HTML 4.0.

`form` of type `HTMLFormElement` [p.87] , `readonly`

Returns the `FORM` element containing this control. Returns `null` if this control is not within the context of a form.

`maxLength` of type `long`

Maximum number of characters for text fields, when `type` has the value "Text" or "Password". See the `maxlength` attribute definition in HTML 4.0.

`name` of type `DOMString` [p.21]

Form control or object name when submitted with a form. See the `name` attribute definition in HTML 4.0.

`readOnly` of type `boolean`

This control is read-only. Relevant only when `type` has the value "Text" or "Password". See the `readonly` attribute definition in HTML 4.0.

`size` of type `DOMString` [p.21]

Size information. The precise meaning is specific to each type of field. See the `size` attribute definition in HTML 4.0.

`src` of type `DOMString` [p.21]

When the `type` attribute has the value "Image", this attribute specifies the location of the image to be used to decorate the graphical submit button. See the `src` attribute definition in HTML 4.0.

`tabIndex` of type `long`

Index that represents the element's position in the tabbing order. See the `tabindex` attribute definition in HTML 4.0.

`type` of type `DOMString` [p.21] , `readonly`

The type of control created. See the `type` attribute definition in HTML 4.0.

`useMap` of type `DOMString` [p.21]

Use client-side image map. See the `usemap` attribute definition in HTML 4.0.

`value` of type `DOMString` [p.21]

When the `type` attribute of the element has the value "Text", "File" or "Password", this represents the current contents of the corresponding form control, in an interactive user agent. Changing this attribute changes the contents of the form control, but does not change the value of the `HTML value` attribute of the element. When the `type` attribute of the element has the value "Button", "Hidden", "Submit", "Reset", "Image", "Checkbox" or "Radio", this represents the `HTML value` attribute of the element. See the `value` attribute definition in HTML 4.0.

Methods

`blur`

Removes keyboard focus from this element.

No Parameters

No Return Value
No Exceptions

click

Simulate a mouse-click. For INPUT elements whose type attribute has one of the following values: "Button", "Checkbox", "Radio", "Reset", or "Submit".

No Parameters
No Return Value
No Exceptions

focus

Gives keyboard focus to this element.

No Parameters
No Return Value
No Exceptions

select

Select the contents of the text area. For INPUT elements whose type attribute has one of the following values: "Text", "File", or "Password".

No Parameters
No Return Value
No Exceptions

Interface *HTMLTextAreaElement*

Multi-line text field. See the TEXTAREA element definition in HTML 4.0.

IDL Definition

```
interface HTMLTextAreaElement : HTMLElement {
    attribute DOMString      defaultValue;
    readonly attribute HTMLFormElement form;
    attribute DOMString      accessKey;
    attribute long           cols;
    attribute boolean        disabled;
    attribute DOMString      name;
    attribute boolean        readOnly;
    attribute long           rows;
    attribute long           tabIndex;
    readonly attribute DOMString type;
    attribute DOMString      value;

    void blur();
    void focus();
    void select();
};
```

Attributes

accessKey of type DOMString [p.21]

A single character access key to give access to the form control. See the accesskey attribute definition in HTML 4.0.

`cols` of type `long`

Width of control (in characters). See the `cols` attribute definition in HTML 4.0.

`defaultValue` of type `DOMString` [p.21]

Represents the contents of the element. The value of this attribute does not change if the contents of the corresponding form control, in an interactive user agent, changes. Changing this attribute, however, resets the contents of the form control.

`disabled` of type `boolean`

The control is unavailable in this context. See the `disabled` attribute definition in HTML 4.0.

`form` of type `HTMLFormElement` [p.87] , `readonly`

Returns the `FORM` element containing this control. Returns `null` if this control is not within the context of a form.

`name` of type `DOMString` [p.21]

Form control or object name when submitted with a form. See the `name` attribute definition in HTML 4.0.

`readOnly` of type `boolean`

This control is read-only. See the `readonly` attribute definition in HTML 4.0.

`rows` of type `long`

Number of text rows. See the `rows` attribute definition in HTML 4.0.

`tabIndex` of type `long`

Index that represents the element's position in the tabbing order. See the `tabindex` attribute definition in HTML 4.0.

`type` of type `DOMString` [p.21] , `readonly`

The type of this form control. This the string "textarea".

`value` of type `DOMString` [p.21]

Represents the current contents of the corresponding form control, in an interactive user agent. Changing this attribute changes the contents of the form control, but does not change the contents of the element. If the entirety of the data can not fit into a single `DOMString` [p.21] , the implementation may truncate the data.

Methods

`blur`

Removes keyboard focus from this element.

No Parameters

No Return Value

No Exceptions

focus

Gives keyboard focus to this element.

No Parameters

No Return Value

No Exceptions

select

Select the contents of the TEXTAREA.

No Parameters

No Return Value

No Exceptions

Interface *HTMLButtonElement*

Push button. See the BUTTON element definition in HTML 4.0.

IDL Definition

```
interface HTMLButtonElement : HTMLElement {
  readonly attribute HTMLFormElement  form;
      attribute DOMString      accessKey;
      attribute boolean        disabled;
      attribute DOMString      name;
      attribute long           tabIndex;
  readonly attribute DOMString      type;
      attribute DOMString      value;
};
```

Attributes

accessKey of type DOMString [p.21]

A single character access key to give access to the form control. See the accesskey attribute definition in HTML 4.0.

disabled of type boolean

The control is unavailable in this context. See the disabled attribute definition in HTML 4.0.

form of type HTMLFormElement [p.87] , readonly

Returns the FORM element containing this control. Returns null if this control is not within the context of a form.

name of type DOMString [p.21]

Form control or object name when submitted with a form. See the name attribute definition in HTML 4.0.

tabIndex of type long

Index that represents the element's position in the tabbing order. See the tabIndex attribute definition in HTML 4.0.

type of type DOMString [p.21] , readonly

The type of button. See the type attribute definition in HTML 4.0.

value of type DOMString [p.21]

The current form control value. See the value attribute definition in HTML 4.0.

Interface *HTMLLabelElement*

Form field label text. See the LABEL element definition in HTML 4.0.

IDL Definition

```
interface HTMLLabelElement : HTMLElement {
    readonly attribute HTMLFormElement form;
    attribute DOMString accessKey;
    attribute DOMString htmlFor;
};
```

Attributes

accessKey of type DOMString [p.21]

A single character access key to give access to the form control. See the accesskey attribute definition in HTML 4.0.

form of type HTMLFormElement [p.87] , readonly

Returns the FORM element containing this control. Returns null if this control is not within the context of a form.

htmlFor of type DOMString [p.21]

This attribute links this label with another form control by id attribute. See the for attribute definition in HTML 4.0.

Interface *HTMLFieldSetElement*

Organizes form controls into logical groups. See the FIELDSET element definition in HTML 4.0.

IDL Definition

```
interface HTMLFieldSetElement : HTMLElement {
    readonly attribute HTMLFormElement form;
};
```

Attributes

form of type HTMLFormElement [p.87] , readonly

Returns the FORM element containing this control. Returns null if this control is not within the context of a form.

Interface *HTMLLegendElement*

Provides a caption for a FIELDSET grouping. See the LEGEND element definition in HTML 4.0.

IDL Definition

```
interface HTMLLegendElement : HTMLElement {
    readonly attribute HTMLFormElement form;
    attribute DOMString accessKey;
    attribute DOMString align;
};
```

Attributes

`accessKey` of type `DOMString` [p.21]

A single character access key to give access to the form control. See the `accesskey` attribute definition in HTML 4.0.

`align` of type `DOMString` [p.21]

Text alignment relative to `FIELDSET`. See the `align` attribute definition in HTML 4.0. This attribute is deprecated in HTML 4.0.

`form` of type `HTMLFormElement` [p.87], `readonly`

Returns the `FORM` element containing this control. Returns `null` if this control is not within the context of a form.

Interface *HTMLUListElement*

Unordered list. See the `UL` element definition in HTML 4.0.

IDL Definition

```
interface HTMLUListElement : HTMLElement {
    attribute boolean compact;
    attribute DOMString type;
};
```

Attributes

`compact` of type `boolean`

Reduce spacing between list items. See the `compact` attribute definition in HTML 4.0. This attribute is deprecated in HTML 4.0.

`type` of type `DOMString` [p.21]

Bullet style. See the `type` attribute definition in HTML 4.0. This attribute is deprecated in HTML 4.0.

Interface *HTMLOListElement*

Ordered list. See the `OL` element definition in HTML 4.0.

IDL Definition

```
interface HTMLOListElement : HTMLElement {
    attribute boolean compact;
    attribute long start;
    attribute DOMString type;
};
```

Attributes

compact of type boolean

Reduce spacing between list items. See the compact attribute definition in HTML 4.0. This attribute is deprecated in HTML 4.0.

start of type long

Starting sequence number. See the start attribute definition in HTML 4.0. This attribute is deprecated in HTML 4.0.

type of type DOMString [p.21]

Numbering style. See the type attribute definition in HTML 4.0. This attribute is deprecated in HTML 4.0.

Interface *HTMLDListElement*

Definition list. See the DL element definition in HTML 4.0.

IDL Definition

```
interface HTMLDListElement : HTMLElement {
    attribute boolean        compact;
};
```

Attributes

compact of type boolean

Reduce spacing between list items. See the compact attribute definition in HTML 4.0. This attribute is deprecated in HTML 4.0.

Interface *HTMLDirectoryElement*

Directory list. See the DIR element definition in HTML 4.0. This element is deprecated in HTML 4.0.

IDL Definition

```
interface HTMLDirectoryElement : HTMLElement {
    attribute boolean        compact;
};
```

Attributes

compact of type boolean

Reduce spacing between list items. See the compact attribute definition in HTML 4.0. This attribute is deprecated in HTML 4.0.

Interface *HTMLMenuElement*

Menu list. See the MENU element definition in HTML 4.0. This element is deprecated in HTML 4.0.

IDL Definition

```
interface HTMLMenuElement : HTMLElement {
    attribute boolean        compact;
};
```

Attributes

compact of type boolean

Reduce spacing between list items. See the compact attribute definition in HTML 4.0. This attribute is deprecated in HTML 4.0.

Interface *HTMLLIElement*

List item. See the LI element definition in HTML 4.0.

IDL Definition

```
interface HTMLLIElement : HTMLElement {
    attribute DOMString    type;
    attribute long         value;
};
```

Attributes

type of type DOMString [p.21]

List item bullet style. See the type attribute definition in HTML 4.0. This attribute is deprecated in HTML 4.0.

value of type long

Reset sequence number when used in OL. See the value attribute definition in HTML 4.0. This attribute is deprecated in HTML 4.0.

Interface *HTMLDivElement*

Generic block container. See the DIV element definition in HTML 4.0.

IDL Definition

```
interface HTMLDivElement : HTMLElement {
    attribute DOMString    align;
};
```

Attributes

align of type DOMString [p.21]

Horizontal text alignment. See the align attribute definition in HTML 4.0. This attribute is deprecated in HTML 4.0.

Interface *HTMLParagraphElement*

Paragraphs. See the P element definition in HTML 4.0.

IDL Definition

```
interface HTMLParagraphElement : HTMLElement {
    attribute DOMString    align;
};
```

Attributes

align of type DOMString [p.21]

Horizontal text alignment. See the align attribute definition in HTML 4.0. This attribute is deprecated in HTML 4.0.

Interface *HTMLHeadingElement*

For the H1 to H6 elements. See the H1 element definition in HTML 4.0.

IDL Definition

```
interface HTMLHeadingElement : HTMLElement {
    attribute DOMString      align;
};
```

Attributes

align of type DOMString [p.21]

Horizontal text alignment. See the align attribute definition in HTML 4.0. This attribute is deprecated in HTML 4.0.

Interface *HTMLQuoteElement*

For the Q and BLOCKQUOTE elements. See the Q element definition in HTML 4.0.

IDL Definition

```
interface HTMLQuoteElement : HTMLElement {
    attribute DOMString      cite;
};
```

Attributes

cite of type DOMString [p.21]

A URI designating a source document or message. See the cite attribute definition in HTML 4.0.

Interface *HTMLPreElement*

Preformatted text. See the PRE element definition in HTML 4.0.

IDL Definition

```
interface HTMLPreElement : HTMLElement {
    attribute long           width;
};
```

Attributes

width of type long

Fixed width for content. See the width attribute definition in HTML 4.0. This attribute is deprecated in HTML 4.0.

Interface *HTMLBRElement*

Force a line break. See the BR element definition in HTML 4.0.

IDL Definition

```
interface HTMLBRElement : HTMLElement {
    attribute DOMString      clear;
};
```

Attributes

clear of type DOMString [p.21]

Control flow of text around floats. See the clear attribute definition in HTML 4.0. This attribute is deprecated in HTML 4.0.

Interface *HTMLBaseFontElement*

Base font. See the BASEFONT element definition in HTML 4.0. This element is deprecated in HTML 4.0.

IDL Definition

```
interface HTMLBaseFontElement : HTMLElement {
    attribute DOMString    color;
    attribute DOMString    face;
    attribute DOMString    size;
};
```

Attributes

color of type DOMString [p.21]

Font color. See the color attribute definition in HTML 4.0. This attribute is deprecated in HTML 4.0.

face of type DOMString [p.21]

Font face identifier. See the face attribute definition in HTML 4.0. This attribute is deprecated in HTML 4.0.

size of type DOMString [p.21]

Font size. See the size attribute definition in HTML 4.0. This attribute is deprecated in HTML 4.0.

Interface *HTMLFontElement*

Local change to font. See the FONT element definition in HTML 4.0. This element is deprecated in HTML 4.0.

IDL Definition

```
interface HTMLFontElement : HTMLElement {
    attribute DOMString    color;
    attribute DOMString    face;
    attribute DOMString    size;
};
```

Attributes

color of type DOMString [p.21]

Font color. See the color attribute definition in HTML 4.0. This attribute is deprecated in HTML 4.0.

face of type DOMString [p.21]

Font face identifier. See the face attribute definition in HTML 4.0. This attribute is deprecated in HTML 4.0.

size of type DOMString [p.21]

Font size. See the size attribute definition in HTML 4.0. This attribute is deprecated in HTML 4.0.

Interface *HTMLHRElement*

Create a horizontal rule. See the HR element definition in HTML 4.0.

IDL Definition

```
interface HTMLHRElement : HTMLInputElement {
    attribute DOMString      align;
    attribute boolean        noShade;
    attribute DOMString      size;
    attribute DOMString      width;
};
```

Attributes

align of type DOMString [p.21]

Align the rule on the page. See the align attribute definition in HTML 4.0. This attribute is deprecated in HTML 4.0.

noShade of type boolean

Indicates to the user agent that there should be no shading in the rendering of this element. See the noshade attribute definition in HTML 4.0. This attribute is deprecated in HTML 4.0.

size of type DOMString [p.21]

The height of the rule. See the size attribute definition in HTML 4.0. This attribute is deprecated in HTML 4.0.

width of type DOMString [p.21]

The width of the rule. See the width attribute definition in HTML 4.0. This attribute is deprecated in HTML 4.0.

Interface *HTMLModElement*

Notice of modification to part of a document. See the INS and DEL element definitions in HTML 4.0.

IDL Definition

```
interface HTMLModElement : HTMLInputElement {
    attribute DOMString      cite;
    attribute DOMString      dateTime;
};
```

Attributes

cite of type DOMString [p.21]

A URI designating a document that describes the reason for the change. See the cite attribute definition in HTML 4.0.

dateTime of type DOMString [p.21]

The date and time of the change. See the dateTime attribute definition in HTML 4.0.

Interface *HTMLAnchorElement*

The anchor element. See the A element definition in HTML 4.0.

IDL Definition

```
interface HTMLAnchorElement : HTMLInputElement {
    attribute DOMString      accessKey;
    attribute DOMString      charset;
    attribute DOMString      coords;
    attribute DOMString      href;
    attribute DOMString      hreflang;
    attribute DOMString      name;
    attribute DOMString      rel;
    attribute DOMString      rev;
    attribute DOMString      shape;
    attribute long           tabIndex;
    attribute DOMString      target;
    attribute DOMString      type;

    void blur();
    void focus();
};
```

Attributes

accessKey of type DOMString [p.21]

A single character access key to give access to the form control. See the accesskey attribute definition in HTML 4.0.

charset of type DOMString [p.21]

The character encoding of the linked resource. See the charset attribute definition in HTML 4.0.

coords of type DOMString [p.21]

Comma-separated list of lengths, defining an active region geometry. See also shape for the shape of the region. See the coords attribute definition in HTML 4.0.

href of type DOMString [p.21]

The URI of the linked resource. See the href attribute definition in HTML 4.0.

hreflang of type DOMString [p.21]

Language code of the linked resource. See the hreflang attribute definition in HTML 4.0.

name of type DOMString [p.21]

Anchor name. See the name attribute definition in HTML 4.0.

rel of type DOMString [p.21]

Forward link type. See the rel attribute definition in HTML 4.0.

rev of type DOMString [p.21]

Reverse link type. See the rev attribute definition in HTML 4.0.

shape of type DOMString [p.21]

The shape of the active area. The coordinates are given by coords. See the shape attribute definition in HTML 4.0.

tabIndex of type long

Index that represents the element's position in the tabbing order. See the tabIndex attribute definition in HTML 4.0.

target of type DOMString [p.21]

Frame to render the resource in. See the target attribute definition in HTML 4.0.

type of type DOMString [p.21]

Advisory content type. See the type attribute definition in HTML 4.0.

Methods

blur

Removes keyboard focus from this element.

No Parameters

No Return Value

No Exceptions

focus

Gives keyboard focus to this element.

No Parameters

No Return Value

No Exceptions

Interface *HTMLImageElement*

Embedded image. See the IMG element definition in HTML 4.0.

IDL Definition

```
interface HTMLImageElement : HTMLElement {
    attribute DOMString    lowSrc;
    attribute DOMString    name;
    attribute DOMString    align;
    attribute DOMString    alt;
    attribute DOMString    border;
    attribute DOMString    height;
    attribute DOMString    hspace;
    attribute boolean      isMap;
    attribute DOMString    longDesc;
    attribute DOMString    src;
    attribute DOMString    useMap;
    attribute DOMString    vspace;
    attribute DOMString    width;
};
```

Attributes

- `align` of type `DOMString` [p.21]
Aligns this object (vertically or horizontally) with respect to its surrounding text. See the `align` attribute definition in HTML 4.0. This attribute is deprecated in HTML 4.0.
- `alt` of type `DOMString` [p.21]
Alternate text for user agents not rendering the normal content of this element. See the `alt` attribute definition in HTML 4.0.
- `border` of type `DOMString` [p.21]
Width of border around image. See the `border` attribute definition in HTML 4.0. This attribute is deprecated in HTML 4.0.
- `height` of type `DOMString` [p.21]
Override height. See the `height` attribute definition in HTML 4.0.
- `hspace` of type `DOMString` [p.21]
Horizontal space to the left and right of this image. See the `hspace` attribute definition in HTML 4.0. This attribute is deprecated in HTML 4.0.
- `isMap` of type `boolean`
Use server-side image map. See the `ismap` attribute definition in HTML 4.0.
- `longDesc` of type `DOMString` [p.21]
URI designating a long description of this image or frame. See the `longdesc` attribute definition in HTML 4.0.
- `lowSrc` of type `DOMString` [p.21]
URI designating the source of this image, for low-resolution output.
- `name` of type `DOMString` [p.21]
The name of the element (for backwards compatibility).
- `src` of type `DOMString` [p.21]
URI designating the source of this image. See the `src` attribute definition in HTML 4.0.
- `useMap` of type `DOMString` [p.21]
Use client-side image map. See the `usemap` attribute definition in HTML 4.0.
- `vspace` of type `DOMString` [p.21]
Vertical space above and below this image. See the `vspace` attribute definition in HTML 4.0. This attribute is deprecated in HTML 4.0.
- `width` of type `DOMString` [p.21]
Override width. See the `width` attribute definition in HTML 4.0.

Interface *HTMLObjectElement*

Generic embedded object. *Note.* In principle, all properties on the object element are read-write but in some environments some properties may be read-only once the underlying object is instantiated. See the OBJECT element definition in HTML 4.0.

IDL Definition

```
interface HTMLObjectElement : HTMLElement {
  readonly attribute HTMLFormElement form;
  attribute DOMString code;
  attribute DOMString align;
  attribute DOMString archive;
  attribute DOMString border;
  attribute DOMString codeBase;
  attribute DOMString codeType;
  attribute DOMString data;
  attribute boolean declare;
  attribute DOMString height;
  attribute DOMString hspace;
  attribute DOMString name;
  attribute DOMString standby;
  attribute long tabIndex;
  attribute DOMString type;
  attribute DOMString useMap;
  attribute DOMString vspace;
  attribute DOMString width;
  // Introduced in DOM Level 2:
  attribute Document contentDocument;
};
```

Attributes

`align` of type `DOMString` [p.21]

Aligns this object (vertically or horizontally) with respect to its surrounding text. See the `align` attribute definition in HTML 4.0. This attribute is deprecated in HTML 4.0.

`archive` of type `DOMString` [p.21]

Space-separated list of archives. See the `archive` attribute definition in HTML 4.0.

`border` of type `DOMString` [p.21]

Width of border around the object. See the `border` attribute definition in HTML 4.0. This attribute is deprecated in HTML 4.0.

`code` of type `DOMString` [p.21]

Applet class file. See the `code` attribute for `HTMLAppletElement`.

`codeBase` of type `DOMString` [p.21]

Base URI for `classid`, `data`, and `archive` attributes. See the `codebase` attribute definition in HTML 4.0.

`codeType` of type `DOMString` [p.21]

Content type for data downloaded via `classid` attribute. See the `codetype` attribute definition in HTML 4.0.

`data` of type `DOMString` [p.21]

A URI specifying the location of the object's data. See the `data` attribute definition in HTML 4.0.

`declare` of type `boolean`

Declare (for future reference), but do not instantiate, this object. See the `declare` attribute definition in HTML 4.0.

`contentDocument` of type `Document` [p.29] , introduced in **DOM Level 2**

The document this object contains, if there is any and it is available, or `null` otherwise.

`form` of type `HTMLFormElement` [p.87] , readonly

Returns the `FORM` element containing this control. Returns `null` if this control is not within the context of a form.

`height` of type `DOMString` [p.21]

Override height. See the `height` attribute definition in HTML 4.0.

`hspace` of type `DOMString` [p.21]

Horizontal space to the left and right of this image, applet, or object. See the `hspace` attribute definition in HTML 4.0. This attribute is deprecated in HTML 4.0.

`name` of type `DOMString` [p.21]

Form control or object name when submitted with a form. See the `name` attribute definition in HTML 4.0.

`standby` of type `DOMString` [p.21]

Message to render while loading the object. See the `standby` attribute definition in HTML 4.0.

`tabIndex` of type `long`

Index that represents the element's position in the tabbing order. See the `tabindex` attribute definition in HTML 4.0.

`type` of type `DOMString` [p.21]

Content type for data downloaded via `data` attribute. See the `type` attribute definition in HTML 4.0.

`useMap` of type `DOMString` [p.21]

Use client-side image map. See the `usemap` attribute definition in HTML 4.0.

`vspace` of type `DOMString` [p.21]

Vertical space above and below this image, applet, or object. See the `vspace` attribute definition in HTML 4.0. This attribute is deprecated in HTML 4.0.

`width` of type `DOMString` [p.21]

Override width. See the `width` attribute definition in HTML 4.0.

Interface *HTMLParamElement*

Parameters fed to the OBJECT element. See the PARAM element definition in HTML 4.0.

IDL Definition

```
interface HTMLParamElement : HTMLElement {
    attribute DOMString      name;
    attribute DOMString      type;
    attribute DOMString      value;
    attribute DOMString      valueType;
};
```

Attributes

name of type DOMString [p.21]

The name of a run-time parameter. See the name attribute definition in HTML 4.0.

type of type DOMString [p.21]

Content type for the value attribute when valueType has the value "ref". See the type attribute definition in HTML 4.0.

value of type DOMString [p.21]

The value of a run-time parameter. See the value attribute definition in HTML 4.0.

valueType of type DOMString [p.21]

Information about the meaning of the value attribute value. See the valueType attribute definition in HTML 4.0.

Interface *HTMLAppletElement*

An embedded Java applet. See the APPLET element definition in HTML 4.0. This element is deprecated in HTML 4.0.

IDL Definition

```
interface HTMLAppletElement : HTMLElement {
    attribute DOMString      align;
    attribute DOMString      alt;
    attribute DOMString      archive;
    attribute DOMString      code;
    attribute DOMString      codeBase;
    attribute DOMString      height;
    attribute DOMString      hspace;
    attribute DOMString      name;
    attribute DOMString      object;
    attribute DOMString      vspace;
    attribute DOMString      width;
};
```

Attributes

align of type DOMString [p.21]

Aligns this object (vertically or horizontally) with respect to its surrounding text. See the align attribute definition in HTML 4.0. This attribute is deprecated in HTML 4.0.

`alt` of type `DOMString` [p.21]

Alternate text for user agents not rendering the normal content of this element. See the `alt` attribute definition in HTML 4.0. This attribute is deprecated in HTML 4.0.

`archive` of type `DOMString` [p.21]

Comma-separated archive list. See the `archive` attribute definition in HTML 4.0. This attribute is deprecated in HTML 4.0.

`code` of type `DOMString` [p.21]

Applet class file. See the `code` attribute definition in HTML 4.0. This attribute is deprecated in HTML 4.0.

`codeBase` of type `DOMString` [p.21]

Optional base URI for applet. See the `codebase` attribute definition in HTML 4.0. This attribute is deprecated in HTML 4.0.

`height` of type `DOMString` [p.21]

Override height. See the `height` attribute definition in HTML 4.0. This attribute is deprecated in HTML 4.0.

`hspace` of type `DOMString` [p.21]

Horizontal space to the left and right of this image, applet, or object. See the `hspace` attribute definition in HTML 4.0. This attribute is deprecated in HTML 4.0.

`name` of type `DOMString` [p.21]

The name of the applet. See the `name` attribute definition in HTML 4.0. This attribute is deprecated in HTML 4.0.

`object` of type `DOMString` [p.21]

Serialized applet file. See the `object` attribute definition in HTML 4.0. This attribute is deprecated in HTML 4.0.

`vspace` of type `DOMString` [p.21]

Vertical space above and below this image, applet, or object. See the `vspace` attribute definition in HTML 4.0. This attribute is deprecated in HTML 4.0.

`width` of type `DOMString` [p.21]

Override width. See the `width` attribute definition in HTML 4.0. This attribute is deprecated in HTML 4.0.

Interface *HTMLMapElement*

Client-side image map. See the `MAP` element definition in HTML 4.0.

IDL Definition

```
interface HTMLMapElement : HTMLElement {
    readonly attribute HTMLCollection areas;
    attribute DOMString name;
};
```

Attributes

`areas` of type `HTMLCollection` [p.77], readonly
The list of areas defined for the image map.

`name` of type `DOMString` [p.21]

Names the map (for use with `usemap`). See the `name` attribute definition in HTML 4.0.

Interface *HTMLAreaElement*

Client-side image map area definition. See the `AREA` element definition in HTML 4.0.

IDL Definition

```
interface HTMLAreaElement : HTMLElement {
    attribute DOMString    accessKey;
    attribute DOMString    alt;
    attribute DOMString    coords;
    attribute DOMString    href;
    attribute boolean      noHref;
    attribute DOMString    shape;
    attribute long         tabIndex;
    attribute DOMString    target;
};
```

Attributes

`accessKey` of type `DOMString` [p.21]

A single character access key to give access to the form control. See the `accesskey` attribute definition in HTML 4.0.

`alt` of type `DOMString` [p.21]

Alternate text for user agents not rendering the normal content of this element. See the `alt` attribute definition in HTML 4.0.

`coords` of type `DOMString` [p.21]

Comma-separated list of lengths, defining an active region geometry. See also `shape` for the shape of the region. See the `coords` attribute definition in HTML 4.0.

`href` of type `DOMString` [p.21]

The URI of the linked resource. See the `href` attribute definition in HTML 4.0.

`noHref` of type `boolean`

Specifies that this area is inactive, i.e., has no associated action. See the `nohref` attribute definition in HTML 4.0.

`shape` of type `DOMString` [p.21]

The shape of the active area. The coordinates are given by `coords`. See the `shape` attribute definition in HTML 4.0.

`tabIndex` of type `long`

Index that represents the element's position in the tabbing order. See the `tabindex` attribute definition in HTML 4.0.

target of type DOMString [p.21]

Frame to render the resource in. See the target attribute definition in HTML 4.0.

Interface *HTMLScriptElement*

Script statements. See the SCRIPT element definition in HTML 4.0.

IDL Definition

```
interface HTMLScriptElement : HTMLInputElement {
    attribute DOMString      text;
    attribute DOMString      htmlFor;
    attribute DOMString      event;
    attribute DOMString      charset;
    attribute boolean        defer;
    attribute DOMString      src;
    attribute DOMString      type;
};
```

Attributes

charset of type DOMString [p.21]

The character encoding of the linked resource. See the charset attribute definition in HTML 4.0.

defer of type boolean

Indicates that the user agent can defer processing of the script. See the defer attribute definition in HTML 4.0.

event of type DOMString [p.21]

Reserved for future use.

htmlFor of type DOMString [p.21]

Reserved for future use.

src of type DOMString [p.21]

URI designating an external script. See the src attribute definition in HTML 4.0.

text of type DOMString [p.21]

The script content of the element.

type of type DOMString [p.21]

The content type of the script language. See the type attribute definition in HTML 4.0.

Interface *HTMLTableElement*

The create* and delete* methods on the table allow authors to construct and modify tables. HTML 4.0 specifies that only one of each of the CAPTION, THEAD, and TFOOT elements may exist in a table. Therefore, if one exists, and the createTHead() or createTFoot() method is called, the method returns the existing THead or TFoot element. See the TABLE element definition in HTML 4.0.

IDL Definition

```

interface HTMLTableElement : HTMLElement {
    attribute HTMLTableCaptionElement  caption;
    attribute HTMLTableSectionElement  tHead;
    attribute HTMLTableSectionElement  tFoot;
    readonly attribute HTMLCollection  rows;
    readonly attribute HTMLCollection  tBodies;
    attribute DOMString                align;
    attribute DOMString                bgColor;
    attribute DOMString                border;
    attribute DOMString                cellPadding;
    attribute DOMString                cellSpacing;
    attribute DOMString                frame;
    attribute DOMString                rules;
    attribute DOMString                summary;
    attribute DOMString                width;
    HTMLElement                        createTHead();
    void                                deleteTHead();
    HTMLElement                        createTFoot();
    void                                deleteTFoot();
    HTMLElement                        createCaption();
    void                                deleteCaption();
    HTMLTableElement                  insertRow(in long index)
                                     raises(DOMException);
    void                                deleteRow(in long index)
                                     raises(DOMException);
};

```

Attributes

`align` of type `DOMString` [p.21]

Specifies the table's position with respect to the rest of the document. See the `align` attribute definition in HTML 4.0. This attribute is deprecated in HTML 4.0.

`bgColor` of type `DOMString` [p.21]

Cell background color. See the `bgcolor` attribute definition in HTML 4.0. This attribute is deprecated in HTML 4.0.

`border` of type `DOMString` [p.21]

The width of the border around the table. See the `border` attribute definition in HTML 4.0.

`caption` of type `HTMLTableCaptionElement` [p.117]

Returns the table's `CAPTION`, or `void` if none exists.

`cellPadding` of type `DOMString` [p.21]

Specifies the horizontal and vertical space between cell content and cell borders. See the `cellpadding` attribute definition in HTML 4.0.

`cellSpacing` of type `DOMString` [p.21]

Specifies the horizontal and vertical separation between cells. See the `cellspacing` attribute definition in HTML 4.0.

`frame` of type `DOMString` [p.21]

Specifies which external table borders to render. See the `frame` attribute definition in HTML 4.0.

`rows` of type `HTMLCollection` [p.77] , `readonly`

Returns a collection of all the rows in the table, including all in `THEAD`, `TFOOT`, all `TBODY` elements.

`rules` of type `DOMString` [p.21]

Specifies which internal table borders to render. See the `rules` attribute definition in HTML 4.0.

`summary` of type `DOMString` [p.21]

Description about the purpose or structure of a table. See the `summary` attribute definition in HTML 4.0.

`tBodies` of type `HTMLCollection` [p.77] , `readonly`

Returns a collection of the defined table bodies.

`tFoot` of type `HTMLTableSectionElement` [p.118]

Returns the table's `TFOOT`, or `null` if none exists.

`tHead` of type `HTMLTableSectionElement` [p.118]

Returns the table's `THEAD`, or `null` if none exists.

`width` of type `DOMString` [p.21]

Specifies the desired table width. See the `width` attribute definition in HTML 4.0.

Methods

`createCaption`

Create a new table caption object or return an existing one.

Return Value

`HTMLElement` [p.82] A `CAPTION` element.

No Parameters

No Exceptions

`createTFoot`

Create a table footer row or return an existing one.

Return Value

`HTMLElement` [p.82] A footer element (`TFOOT`).

No Parameters

No Exceptions

`createTHead`

Create a table header row or return an existing one.

Return Value

`HTMLElement` [p.82] A new table header element (THEAD).

No Parameters**No Exceptions**`deleteCaption`

Delete the table caption, if one exists.

No Parameters**No Return Value****No Exceptions**`deleteRow`

Delete a table row.

Parameters

`long` `index` The index of the row to be deleted. This index starts from 0 and is relative to all the rows contained inside the table, regardless of section parentage.

Exceptions

`DOMException` [p.24] `INDEX_SIZE_ERR`: Raised if the specified index is greater than or equal to the number of rows or if the index is negative.

No Return Value`deleteTFoot`

Delete the footer from the table, if one exists.

No Parameters**No Return Value****No Exceptions**`deleteTHead`

Delete the header from the table, if one exists.

No Parameters**No Return Value****No Exceptions**

insertRow

Insert a new empty row in the table. The new row is inserted immediately before and in the same section as the current `index`th row in the table. If `index` is equal to the number of rows, the new row is appended. In addition, when the table is empty the row is inserted into a `TBODY` which is created and inserted into the table. *Note.* A table row cannot be empty according to HTML 4.0 Recommendation.

Parameters

<code>long</code>	<code>index</code>	The row number where to insert a new row. This index starts from 0 and is relative to all the rows contained inside the table, regardless of section parentage.
-------------------	--------------------	---

Return Value

<code>HTMLElement</code> [p.82]	The newly created row.
---------------------------------	------------------------

Exceptions

<code>DOMException</code> [p.24]	<code>INDEX_SIZE_ERR</code> : Raised if the specified index is greater than the number of rows or if the index is negative.
----------------------------------	---

Interface *HTMLTableCaptionElement*

Table caption See the `CAPTION` element definition in HTML 4.0.

IDL Definition

```
interface HTMLTableCaptionElement : HTMLElement {
    attribute DOMString    align;
};
```

Attributes

`align` of type `DOMString` [p.21]

Caption alignment with respect to the table. See the `align` attribute definition in HTML 4.0. This attribute is deprecated in HTML 4.0.

Interface *HTMLTableColElement*

Regroups the `COL` and `COLGROUP` elements. See the `COL` element definition in HTML 4.0.

IDL Definition

```
interface HTMLTableColElement : HTMLElement {
    attribute DOMString    align;
    attribute DOMString    ch;
    attribute DOMString    chOff;
    attribute long         span;
    attribute DOMString    vAlign;
    attribute DOMString    width;
};
```

Attributes

`align` of type `DOMString` [p.21]

Horizontal alignment of cell data in column. See the `align` attribute definition in HTML 4.0.

`ch` of type `DOMString` [p.21]

Alignment character for cells in a column. See the `char` attribute definition in HTML 4.0.

`chOff` of type `DOMString` [p.21]

Offset of alignment character. See the `charoff` attribute definition in HTML 4.0.

`span` of type `long`

Indicates the number of columns in a group or affected by a grouping. See the `span` attribute definition in HTML 4.0.

`vAlign` of type `DOMString` [p.21]

Vertical alignment of cell data in column. See the `valign` attribute definition in HTML 4.0.

`width` of type `DOMString` [p.21]

Default column width. See the `width` attribute definition in HTML 4.0.

Interface *HTMLTableSectionElement*

The `THEAD`, `TFOOT`, and `TBODY` elements.

IDL Definition

```
interface HTMLTableSectionElement : HTMLElement {
    attribute DOMString      align;
    attribute DOMString      ch;
    attribute DOMString      chOff;
    attribute DOMString      vAlign;
    readonly attribute HTMLCollection rows;
    HTMLElement              insertRow(in long index)
                               raises(DOMException);
    void                      deleteRow(in long index)
                               raises(DOMException);
};
```

Attributes

`align` of type `DOMString` [p.21]

Horizontal alignment of data in cells. See the `align` attribute for `HTMLTheadElement` for details.

`ch` of type `DOMString` [p.21]

Alignment character for cells in a column. See the `char` attribute definition in HTML 4.0.

`chOff` of type `DOMString` [p.21]

Offset of alignment character. See the `charoff` attribute definition in HTML 4.0.

rows of type `HTMLCollection` [p.77] , readonly
 The collection of rows in this table section.

`vAlign` of type `DOMString` [p.21]
 Vertical alignment of data in cells. See the `vAlign` attribute for `HTMLTheadElement` for details.

Methods

`deleteRow`

Delete a row from this section.

Parameters

<code>long</code>	<code>index</code>	The index of the row to be deleted. This index starts from 0 and is relative only to the rows contained inside this section, not all the rows in the table.
-------------------	--------------------	---

Exceptions

<code>DOMException</code> [p.24]	<code>INDEX_SIZE_ERR</code> : Raised if the specified index is greater than or equal to the number of rows or if the index is negative.
-------------------------------------	---

No Return Value

`insertRow`

Insert a row into this section. The new row is inserted immediately before the current `index`th row in this section. If `index` is equal to the number of rows in this section, the new row is appended.

Parameters

<code>long</code>	<code>index</code>	The row number where to insert a new row. This index starts from 0 and is relative only to the rows contained inside this section, not all the rows in the table.
-------------------	--------------------	---

Return Value

<code>HTMLElement</code> [p.82]	The newly created row.
---------------------------------	------------------------

Exceptions

<code>DOMException</code> [p.24]	<code>INDEX_SIZE_ERR</code> : Raised if the specified index is greater than the number of rows or if the index is negative.
-------------------------------------	---

Interface *HTMLTableRowElement*

A row in a table. See the TR element definition in HTML 4.0.

IDL Definition

```
interface HTMLTableRowElement : HTMLElement {
  readonly attribute long          rowIndex;
  readonly attribute long          sectionRowIndex;
  readonly attribute HTMLCollection cells;
  attribute DOMString             align;
  attribute DOMString             bgColor;
  attribute DOMString             ch;
  attribute DOMString             chOff;
  attribute DOMString             vAlign;
  HTMLElement                      insertCell(in long index)
                                   raises(DOMException);
  void                              deleteCell(in long index)
                                   raises(DOMException);
};
```

Attributes

`align` of type `DOMString` [p.21]

Horizontal alignment of data within cells of this row. See the `align` attribute definition in HTML 4.0.

`bgColor` of type `DOMString` [p.21]

Background color for rows. See the `bgcolor` attribute definition in HTML 4.0. This attribute is deprecated in HTML 4.0.

`cells` of type `HTMLCollection` [p.77], `readonly`

The collection of cells in this row.

`ch` of type `DOMString` [p.21]

Alignment character for cells in a column. See the `char` attribute definition in HTML 4.0.

`chOff` of type `DOMString` [p.21]

Offset of alignment character. See the `charoff` attribute definition in HTML 4.0.

`rowIndex` of type `long`, `readonly`

The index of this row, relative to the entire table, starting from 0. This is in document tree order and not display order. The `rowIndex` does not take into account sections (THEAD, TFOOT, or TBODY) within the table.

`sectionRowIndex` of type `long`, `readonly`

The index of this row, relative to the current section (THEAD, TFOOT, or TBODY), starting from 0.

`vAlign` of type `DOMString` [p.21]

Vertical alignment of data within cells of this row. See the `valign` attribute definition in HTML 4.0.

Methods`deleteCell`

Delete a cell from the current row.

Parameters

<code>long</code>	<code>index</code>	The index of the cell to delete, starting from 0.
-------------------	--------------------	---

Exceptions

<code>DOMException</code> [p.24]	<code>INDEX_SIZE_ERR</code> : Raised if the specified <code>index</code> is greater than or equal to the number of cells or if the index is negative.
-------------------------------------	---

No Return Value`insertCell`Insert an empty TD cell into this row. If `index` is equal to the number of cells, the new cell is appended**Parameters**

<code>long</code>	<code>index</code>	The place to insert the cell, starting from 0.
-------------------	--------------------	--

Return Value

<code>HTMLInputElement</code> [p.82]	The newly created cell.
--------------------------------------	-------------------------

Exceptions

<code>DOMException</code> [p.24]	<code>INDEX_SIZE_ERR</code> : Raised if the specified <code>index</code> is greater than the number of cells or if the index is negative.
-------------------------------------	---

Interface *HTMLTableCellElement*

The object used to represent the TH and TD elements. See the TD element definition in HTML 4.0.

IDL Definition

```
interface HTMLTableCellElement : HTMLInputElement {
  readonly attribute long          cellIndex;
  attribute DOMString             abbr;
  attribute DOMString             align;
  attribute DOMString             axis;
  attribute DOMString             bgColor;
  attribute DOMString             ch;
  attribute DOMString             chOff;
  attribute long                  colSpan;
  attribute DOMString             headers;
```

```

        attribute DOMString      height;
        attribute boolean        noWrap;
        attribute long           rowspan;
        attribute DOMString      scope;
        attribute DOMString      vAlign;
        attribute DOMString      width;
};

```

Attributes

`abbr` of type `DOMString` [p.21]

Abbreviation for header cells. See the `abbr` attribute definition in HTML 4.0.

`align` of type `DOMString` [p.21]

Horizontal alignment of data in cell. See the `align` attribute definition in HTML 4.0.

`axis` of type `DOMString` [p.21]

Names group of related headers. See the `axis` attribute definition in HTML 4.0.

`bgColor` of type `DOMString` [p.21]

Cell background color. See the `bgcolor` attribute definition in HTML 4.0. This attribute is deprecated in HTML 4.0.

`cellIndex` of type `long`, readonly

The index of this cell in the row, starting from 0. This index is in document tree order and not display order.

`ch` of type `DOMString` [p.21]

Alignment character for cells in a column. See the `char` attribute definition in HTML 4.0.

`chOff` of type `DOMString` [p.21]

Offset of alignment character. See the `charoff` attribute definition in HTML 4.0.

`colSpan` of type `long`

Number of columns spanned by cell. See the `colspan` attribute definition in HTML 4.0.

`headers` of type `DOMString` [p.21]

List of `id` attribute values for header cells. See the `headers` attribute definition in HTML 4.0.

`height` of type `DOMString` [p.21]

Cell height. See the `height` attribute definition in HTML 4.0. This attribute is deprecated in HTML 4.0.

`noWrap` of type `boolean`

Suppress word wrapping. See the `nowrap` attribute definition in HTML 4.0. This attribute is deprecated in HTML 4.0.

`rowSpan` of type `long`

Number of rows spanned by cell. See the `rowspan` attribute definition in HTML 4.0.

scope of type DOMString [p.21]

Scope covered by header cells. See the scope attribute definition in HTML 4.0.

vAlign of type DOMString [p.21]

Vertical alignment of data in cell. See the valign attribute definition in HTML 4.0.

width of type DOMString [p.21]

Cell width. See the width attribute definition in HTML 4.0. This attribute is deprecated in HTML 4.0.

Interface *HTMLFrameSetElement*

Create a grid of frames. See the FRAMESET element definition in HTML 4.0.

IDL Definition

```
interface HTMLFrameSetElement : HTMLElement {
    attribute DOMString      cols;
    attribute DOMString      rows;
};
```

Attributes

cols of type DOMString [p.21]

The number of columns of frames in the frameset. See the cols attribute definition in HTML 4.0.

rows of type DOMString [p.21]

The number of rows of frames in the frameset. See the rows attribute definition in HTML 4.0.

Interface *HTMLFrameElement*

Create a frame. See the FRAME element definition in HTML 4.0.

IDL Definition

```
interface HTMLFrameElement : HTMLElement {
    attribute DOMString      frameBorder;
    attribute DOMString      longDesc;
    attribute DOMString      marginHeight;
    attribute DOMString      marginWidth;
    attribute DOMString      name;
    attribute boolean        noResize;
    attribute DOMString      scrolling;
    attribute DOMString      src;
    // Introduced in DOM Level 2:
    attribute Document       contentDocument;
};
```

Attributes

contentDocument of type Document [p.29] , introduced in **DOM Level 2**

The document this frame contains, if there is any and it is available, or null otherwise.

`frameBorder` of type `DOMString` [p.21]

Request frame borders. See the `frameborder` attribute definition in HTML 4.0.

`longDesc` of type `DOMString` [p.21]

URI designating a long description of this image or frame. See the `longdesc` attribute definition in HTML 4.0.

`marginHeight` of type `DOMString` [p.21]

Frame margin height, in pixels. See the `marginheight` attribute definition in HTML 4.0.

`marginWidth` of type `DOMString` [p.21]

Frame margin width, in pixels. See the `marginwidth` attribute definition in HTML 4.0.

`name` of type `DOMString` [p.21]

The frame name (object of the `target` attribute). See the `name` attribute definition in HTML 4.0.

`noResize` of type `boolean`

When true, forbid user from resizing frame. See the `noresize` attribute definition in HTML 4.0.

`scrolling` of type `DOMString` [p.21]

Specify whether or not the frame should have scrollbars. See the `scrolling` attribute definition in HTML 4.0.

`src` of type `DOMString` [p.21]

A URI designating the initial frame contents. See the `src` attribute definition in HTML 4.0.

Interface *HTMLIFrameElement*

Inline subwindows. See the `IFRAME` element definition in HTML 4.0.

IDL Definition

```
interface HTMLIFrameElement : HTMLElement {
    attribute DOMString    align;
    attribute DOMString    frameBorder;
    attribute DOMString    height;
    attribute DOMString    longDesc;
    attribute DOMString    marginHeight;
    attribute DOMString    marginWidth;
    attribute DOMString    name;
    attribute DOMString    scrolling;
    attribute DOMString    src;
    attribute DOMString    width;
    // Introduced in DOM Level 2:
    attribute Document     contentDocument;
};
```

Attributes

`align` of type `DOMString` [p.21]

Aligns this object (vertically or horizontally) with respect to its surrounding text. See the `align` attribute definition in HTML 4.0. This attribute is deprecated in HTML 4.0.

`contentDocument` of type `Document` [p.29] , introduced in **DOM Level 2**

The document this frame contains, if there is any and it is available, or `null` otherwise.

`frameBorder` of type `DOMString` [p.21]

Request frame borders. See the `frameborder` attribute definition in HTML 4.0.

`height` of type `DOMString` [p.21]

Frame height. See the `height` attribute definition in HTML 4.0.

`longDesc` of type `DOMString` [p.21]

URI designating a long description of this image or frame. See the `longdesc` attribute definition in HTML 4.0.

`marginHeight` of type `DOMString` [p.21]

Frame margin height, in pixels. See the `marginheight` attribute definition in HTML 4.0.

`marginWidth` of type `DOMString` [p.21]

Frame margin width, in pixels. See the `marginwidth` attribute definition in HTML 4.0.

`name` of type `DOMString` [p.21]

The frame name (object of the `target` attribute). See the `name` attribute definition in HTML 4.0.

`scrolling` of type `DOMString` [p.21]

Specify whether or not the frame should have scrollbars. See the `scrolling` attribute definition in HTML 4.0.

`src` of type `DOMString` [p.21]

A URI designating the initial frame contents. See the `src` attribute definition in HTML 4.0.

`width` of type `DOMString` [p.21]

Frame width. See the `width` attribute definition in HTML 4.0.

2.5.5. Object definitions

3. Document Object Model Views

Editors

Laurence Cable, Sun
Arnaud Le Hors, W3C

3.1. Introduction

A document may have one or more "views" associated with it, e.g., a computed view on a document after applying a CSS stylesheet, or multiple presentations (e.g., HTML Frame) of the same document in a client. That is, a view is some alternate representation of, or a presentation of, and associated with, a source document.

A view may be static, reflecting the state of the document when the view was created, or dynamic, reflecting changes in the target document as they occur, subsequent to the view being created. This Level of the DOM specification makes no statement about these behaviors.

This section defines an `AbstractView` [p.127] interface which provides a base interface from which all such views shall derive. It defines an attribute which references the target document of the `AbstractView`. The only semantics of the `AbstractView` defined here create an association between a view and its target document.

There are no subinterfaces of `AbstractView` [p.127] defined in the DOM Level 2.

However, `AbstractView` [p.127] is defined in and used in this Level in two places:

- A `Document` may implement a `DocumentView` [p.128] that has a default view attribute associated with it. This default view is typically dependent on the implementation (e.g., the browser frame rendering the document). The default view can be used in order to identify and/or associate a view with its target document (by testing object equality on the `AbstractView` [p.127] or obtaining the `DocumentView` attribute).
- A `UIEvent` [p.232] typically occurs upon a view of a `Document` (e.g., a mouse click on a browser frame rendering a particular `Document` instance). A `UIEvent` has an `AbstractView` [p.127] associated with it which identifies both the particular (implementation-dependent) view in which the event occurs, and the target document the `UIEvent` is related to.

The interfaces found within this section are not mandatory. A DOM application can use the `hasFeature` method of the `DOMImplementation` [p.26] interface to determine whether they are supported or not. The feature string for all the interfaces listed in this section is "Views".

3.2. Interfaces

Interface *AbstractView* (introduced in **DOM Level 2**)

A base interface that all views shall derive from.

IDL Definition

```
// Introduced in DOM Level 2:
interface AbstractView {
    readonly attribute DocumentView    document;
};
```

Attributes

document of type DocumentView [p.128], readonly
The source DocumentView [p.128] of which this is an AbstractView.

Interface *DocumentView* (introduced in DOM Level 2)

The DocumentView interface is implemented by Document [p.29] objects in DOM implementations supporting DOM Views. It provides an attribute to retrieve the default view of a document.

IDL Definition

```
// Introduced in DOM Level 2:
interface DocumentView {
    readonly attribute AbstractView    defaultView;
};
```

Attributes

defaultView of type AbstractView [p.127], readonly
The default AbstractView [p.127] for this Document [p.29], or null if none available.

4. Document Object Model StyleSheets

Editors

Vidur Apparao, Netscape Communications Corp.
 Philippe Le Hégarret, W3C
 Chris Wilson, Microsoft

4.1. Introduction

The DOM Level 2 Style Sheet interfaces are base interfaces used to represent any type of style sheet. The expectation is that DOM modules that represent a specific style sheet language may contain interfaces that derive from these interfaces.

A DOM application can use the `hasFeature` method of the `DOMImplementation` [p.26] interface to determine whether the StyleSheets interfaces are supported or not. The feature string for the fundamental interfaces listed in this section is "StyleSheets".

4.2. Style Sheet Interfaces

This set of interfaces represents the generic notion of style sheets.

Interface *StyleSheet* (introduced in **DOM Level 2**)

The `StyleSheet` interface is the abstract base interface for any type of style sheet. It represents a single style sheet associated with a structured document. In HTML, the `StyleSheet` interface represents either an external style sheet, included via the HTML *LINK* element, or an inline *STYLE* element. In XML, this interface represents an external style sheet, included via a *style sheet processing instruction*.

IDL Definition

```
// Introduced in DOM Level 2:
interface StyleSheet {
    readonly attribute DOMString      type;
        attribute boolean            disabled;
    readonly attribute Node           ownerNode;
    readonly attribute StyleSheet     parentStyleSheet;
    readonly attribute DOMString      href;
    readonly attribute DOMString      title;
    readonly attribute MediaList      media;
};
```

Attributes

`disabled` of type `boolean`

`false` if the style sheet is applied to the document. `true` if it is not. Modifying this attribute may cause a new resolution of style for the document. A stylesheet only applies if both an appropriate medium definition is present and the `disabled` attribute is `false`. So, if the media doesn't apply to the current user agent, the `disabled` attribute is ignored.

`href` of type `DOMString` [p.21] , readonly

If the style sheet is a linked style sheet, the value of its attribute is its location. For inline style sheets, the value of this attribute is `null`. See the *href attribute definition* for the `LINK` element in HTML 4.0, and the *href pseudo-attribute* for the *XML style sheet processing instruction*.

`media` of type `MediaList` [p.131] , readonly

The intended destination media for style information. The media is often specified in the `ownerNode`. If no media has been specified, the `MediaList` [p.131] will be empty. See the *media attribute definition* for the `LINK` element in HTML 4.0, and the *media pseudo-attribute* for the *XML style sheet processing instruction* . Modifying the media list may cause a change to the attribute `disabled`.

`ownerNode` of type `Node` [p.39] , readonly

The node that associates this style sheet with the document. For HTML, this may be the corresponding `LINK` or `STYLE` element. For XML, it may be the linking processing instruction. For style sheets that are included by other style sheets, the value of this attribute is `null`.

`parentStyleSheet` of type `StyleSheet` [p.129] , readonly

For style sheet languages that support the concept of style sheet inclusion, this attribute represents the including style sheet, if one exists. If the style sheet is a top-level style sheet, or the style sheet language does not support inclusion, the value of this attribute is `null`.

`title` of type `DOMString` [p.21] , readonly

The advisory title. The title is often specified in the `ownerNode`. See the *title attribute definition* for the `LINK` element in HTML 4.0, and the *title pseudo-attribute* for the *XML style sheet processing instruction*.

`type` of type `DOMString` [p.21] , readonly

This specifies the style sheet language for this style sheet. The style sheet language is specified as a content type (e.g. "text/css"). The content type is often specified in the `ownerNode` (see also [ContentTypes]). Also see the *type attribute definition* for the `LINK` element in HTML 4.0, and the *type pseudo-attribute* for the *XML style sheet processing instruction*.

Interface *StyleSheetList* (introduced in **DOM Level 2**)

The `StyleSheetList` interface provides the abstraction of an ordered collection of style sheets.

IDL Definition

```
// Introduced in DOM Level 2:
interface StyleSheetList {
    readonly attribute unsigned long    length;
    StyleSheet    item(in unsigned long index);
};
```

Attributes

`length` of type `unsigned long`, `readonly`

The number of `StyleSheets` [p.129] in the list. The range of valid child stylesheet indices is 0 to `length-1` inclusive.

Methods

`item`

Used to retrieve a style sheet by ordinal index.

Parameters

`unsigned long` `index` Index into the collection

Return Value

`StyleSheet` The style sheet at the `index` position in the
[p.129] `StyleSheetList`, or `null` if that is not a valid index.

No Exceptions**Interface *MediaList*** (introduced in **DOM Level 2**)

The `MediaList` interface provides the abstraction of an ordered collection of *media*, without defining or constraining how this collection is implemented. An empty list is the same as a list that contains the medium "all".

IDL Definition

```
// Introduced in DOM Level 2:
interface MediaList {
    attribute DOMString          mediaText;
                                // raises(DOMException) on setting

    readonly attribute unsigned long length;
    DOMString          item(in unsigned long index);
    void                delete(in DOMString oldMedium)
                                raises(DOMException);
    void                append(in DOMString newMedium)
                                raises(DOMException);
};
```

Attributes

`length` of type `unsigned long`, `readonly`

The number of media in the list. The range of valid media is 0 to `length-1` inclusive.

`mediaText` of type `DOMString` [p.21]

The parsable textual representation of the media list. This is a comma-separated list of media.

Exceptions on setting

DOMException [p.24]	SYNTAX_ERR: Raised if the specified string value has a syntax error and is unparseable.
	NO_MODIFICATION_ALLOWED_ERR: Raised if this media list is readonly.

Methods

append

Adds the medium `newMedium` to the end of the list. If the `newMedium` is already used, it is first removed.

Parameters

DOMString [p.21]	<code>newMedium</code>	The new medium to add.
------------------	------------------------	------------------------

Exceptions

DOMException [p.24]	NO_MODIFICATION_ALLOWED_ERR: Raised if this list is readonly.
------------------------	---

No Return Value

delete

Deletes the medium indicated by `oldMedium` from the list.

Parameters

DOMString [p.21]	<code>oldMedium</code>	The medium to delete in the media list.
------------------	------------------------	---

Exceptions

DOMException [p.24]	NO_MODIFICATION_ALLOWED_ERR: Raised if this list is readonly.
	NOT_FOUND_ERR: Raised if <code>oldMedium</code> is not in the list.

No Return Value

item

Returns the `indexth` in the list. If `index` is greater than or equal to the number of media in the list, this returns `null`.

Parameters

unsigned long	<code>index</code>	Index into the collection.
---------------	--------------------	----------------------------

Return Value

DOMString [p.21]	The medium at the <code>index</code> th position in the <code>MediaList</code> , or <code>null</code> if that is not a valid index.
---------------------	---

No Exceptions

4.3. Document Extensions

Interface *LinkStyle* (introduced in **DOM Level 2**)

The `LinkStyle` interface provides a mechanism by which a style sheet can be retrieved from the node responsible for linking it into a document. An instance of the `LinkStyle` interface can be obtained using binding-specific casting methods on an instance of a linking node (`HTMLLinkElement` [p.83], `HTMLStyleElement` [p.86] or `ProcessingInstruction` [p.73] in DOM Level 2).

IDL Definition

```
// Introduced in DOM Level 2:
interface LinkStyle {
    readonly attribute StyleSheet    sheet;
};
```

Attributes

`sheet` of type `StyleSheet` [p.129], `readonly`
The style sheet.

Interface *DocumentStyle* (introduced in **DOM Level 2**)

The `DocumentStyle` interface provides a mechanism by which the style sheets embedded in a document can be retrieved. The expectation is that an instance of the `DocumentStyle` interface can be obtained by using binding-specific casting methods on an instance of the `Document` [p.29] interface.

IDL Definition

```
// Introduced in DOM Level 2:
interface DocumentStyle {
    readonly attribute StyleSheetList    styleSheets;
};
```

Attributes

`styleSheets` of type `StyleSheetList` [p.130], `readonly`
A list containing all the style sheets explicitly linked into or embedded in a document. For HTML documents, this includes external style sheets, included via the HTML *LINK* element, and inline *STYLE* elements. In XML, this includes external style sheets, included via style sheet processing instructions (see [XML-StyleSheet]).

4.4. Association between a style sheet and a document.

HTML and Style Sheet Creation

A style sheet can be associated with an HTMLDocument in one of two ways:

- By creating a new LINK HTML element (see the HTMLLinkElement [p.83] interface). The underlying style sheet will be created after the element is inserted into the document and both the href and the type attribute have been set in a way indicating that the linked object is a style sheet.
- By creating a new STYLE HTML element (see the HTMLStyleElement interface). The underlying style sheet will be created after the element is inserted into the document and the type attribute is set in a way indicating that the element corresponds to a style sheet language interpreted by the user agent.

HTML and Style Sheet Removal

Removing a LINK HTML element or a STYLE HTML element removes the underlying style sheet from the style sheet collection associated with a document. Specifically, the removed style sheet is no longer applied to the presentation of the document.

XML and Style Sheet Creation

A new style sheet can be created and associated with an XML document by creating a processing instruction with the target 'xml-stylesheet' and inserting it into the document.

XML and Style Sheet Removal

Removing a processing instruction with a target of 'xml-stylesheet' removes the underlying style sheet from the style sheet collection associated with a document. Specifically, the removed style sheet is no longer applied to the presentation of the document.

5. Document Object Model CSS

Editors

Vidur Apparao, Netscape Communications Corp.
Philippe Le Hégarret, W3C
Chris Wilson, Microsoft

5.1. Overview of the DOM Level 2 CSS Interfaces

The DOM Level 2 Cascading Style Sheets (CSS) interfaces are designed with the goal of exposing CSS constructs to object model consumers. Cascading Style Sheets is a declarative syntax for defining presentation rules, properties and ancillary constructs used to format and render Web documents. This document specifies a mechanism to programmatically access and modify the rich style and presentation control provided by CSS (specifically CSS level 2 [CSS2]). This augments CSS by providing a mechanism to dynamically control the inclusion and exclusion of individual style sheets, as well as manipulate CSS rules and properties.

The CSS interfaces are organized in a logical, rather than physical structure. A collection of all style sheets referenced by or embedded in the document is accessible on the document interface. Each item in this collection exposes the properties common to all style sheets referenced or embedded in HTML and XML documents; this interface is described in the Document Object Model StyleSheets [p.129]. User style sheets are not accessible through this collection, in part due to potential privacy concerns (and certainly read-write issues).

For each CSS style sheet, an additional interface is exposed - the `CSSStyleSheet` [p.136] interface. This interface allows access to the collection of rules within a CSS style sheet and methods to modify that collection. Interfaces are provided for each specific type of rule in CSS2 (e.g. style declarations, `@import` rules, or `@font-face` rules), as well as a shared generic `CSSRule` [p.138] interface.

The most common type of rule is a style declaration. The `CSSStyleRule` [p.140] interface that represents this type of rule provides string access to the CSS selector of the rule, and access to the property declarations through the `CSSStyleDeclaration` [p.145] interface.

Finally, an optional `CSS2Properties` [p.182] interface is described; this interface (if implemented) provides shortcuts to the string values of all the properties in CSS level 2.

All CSS objects in the DOM are "live", that is, a change in the style sheet is reflected in the computed and actual style.

A DOM application can use the `hasFeature` method of the `DOMImplementation` [p.26] interface to determine whether the CSS interfaces are supported or not. The feature string for the CSS Model is "CSS". The existence within an implementation of the extended interfaces can also be queried using the `hasFeature` method.

5.2. CSS Fundamental Interfaces

The interfaces within this section are considered fundamental, and must be supported by all conforming DOM implementations. These interfaces represent CSS style sheets specifically.

Interface *CSSStyleSheet* (introduced in **DOM Level 2**)

The `CSSStyleSheet` interface is a concrete interface used to represent a CSS style sheet i.e., a style sheet whose content type is "text/css".

IDL Definition

```
// Introduced in DOM Level 2:
interface CSSStyleSheet : stylesheets::StyleSheet {
  readonly attribute CSSRule          ownerRule;
  readonly attribute CSSRuleList      cssRules;
  unsigned long          insertRule(in DOMString rule,
                                   in unsigned long index)
                                   raises(DOMException);
  void                   deleteRule(in unsigned long index)
                                   raises(DOMException);
};
```

Attributes

`cssRules` of type `CSSRuleList` [p.138], readonly

The list of all CSS rules contained within the style sheet. This includes both *rule sets* and *at-rules*.

`ownerRule` of type `CSSRule` [p.138], readonly

If this style sheet comes from an `@import` rule, the `ownerRule` attribute will contain the `CSSImportRule` [p.143]. In that case, the `ownerNode` attribute in the `StyleSheet` [p.129] interface will be null. If the style sheet comes from an element or a processing instruction, the `ownerRule` attribute will be null and the `ownerNode` attribute will contain the `Node` [p.39].

Methods

`deleteRule`

Used to delete a rule from the style sheet.

Parameters

unsigned long	index	The index within the style sheet's rule list of the rule to remove.
---------------	-------	---

Exceptions

DOMException [p.24] INDEX_SIZE_ERR: Raised if the specified index does not correspond to a rule in the style sheet's rule list.

NO_MODIFICATION_ALLOWED_ERR: Raised if this style sheet is readonly.

No Return Value

insertRule

Used to insert a new rule into the style sheet. The new rule now becomes part of the cascade.

Parameters

DOMString [p.21]	rule	The parsable text representing the rule. For rule sets this contains both the selector and the style declaration. For at-rules, this specifies both the at-identifier and the rule content.
unsigned long	index	The index within the style sheet's rule list of the rule before which to insert the specified rule. If the specified index is equal to the length of the style sheet's rule collection, the rule will be added to the end of the style sheet.

Return Value

unsigned long	The index within the style sheet's rule collection of the newly inserted rule.
---------------	--

Exceptions

DOMException [p.24] HIERARCHY_REQUEST_ERR: Raised if the rule cannot be inserted at the specified index e.g. if an @import rule is inserted after a standard rule set or other at-rule.

INDEX_SIZE_ERR: Raised if the specified index is not a valid insertion point.

NO_MODIFICATION_ALLOWED_ERR: Raised if this style sheet is readonly.

SYNTAX_ERR: Raised if the specified rule has a syntax error and is unparseable.

Interface *CSSRuleList* (introduced in **DOM Level 2**)

The `CSSRuleList` interface provides the abstraction of an ordered collection of CSS rules.

IDL Definition

```
// Introduced in DOM Level 2:
interface CSSRuleList {
    readonly attribute unsigned long    length;
    CSSRule                             item(in unsigned long index);
};
```

Attributes

`length` of type `unsigned long`, `readonly`

The number of `CSSRules` [p.138] in the list. The range of valid child rule indices is 0 to `length-1` inclusive.

Methods

`item`

Used to retrieve a CSS rule by ordinal index. The order in this collection represents the order of the rules in the CSS style sheet.

Parameters

`unsigned long` `index` Index into the collection

Return Value

`CSSRule` The style rule at the `index` position in the `CSSRuleList`, or
[p.138] `null` if that is not a valid index.

No Exceptions**Interface *CSSRule*** (introduced in **DOM Level 2**)

The `CSSRule` interface is the abstract base interface for any type of CSS *statement*. This includes both *rule sets* and *at-rules*. An implementation is expected to preserve all rules specified in a CSS style sheet, even if the rule is not recognized by the parser. Unrecognized rules are represented using the `CSSUnknownRule` [p.144] interface.

IDL Definition

```
// Introduced in DOM Level 2:
interface CSSRule {
    // RuleType
    const unsigned short    UNKNOWN_RULE        = 0;
    const unsigned short    STYLE_RULE          = 1;
    const unsigned short    CHARSET_RULE        = 2;
    const unsigned short    IMPORT_RULE         = 3;
    const unsigned short    MEDIA_RULE          = 4;
    const unsigned short    FONT_FACE_RULE     = 5;
    const unsigned short    PAGE_RULE           = 6;
};
```

```

readonly attribute unsigned short type;
        attribute DOMString cssText;
        // raises(DOMException) on setting

readonly attribute CSSStyleSheet parentStyleSheet;
readonly attribute CSSRule parentRule;
};

```

Definition group *RuleType*

An integer indicating which type of rule this is.

Defined Constants

CHARSET_RULE	The rule is a <code>CSSCharsetRule</code> [p.144] .
FONT_FACE_RULE	The rule is a <code>CSSFontFaceRule</code> [p.142] .
IMPORT_RULE	The rule is a <code>CSSImportRule</code> [p.143] .
MEDIA_RULE	The rule is a <code>CSSMediaRule</code> [p.140] .
PAGE_RULE	The rule is a <code>CSSPageRule</code> [p.143] .
STYLE_RULE	The rule is a <code>CSSStyleRule</code> [p.140] .
UNKNOWN_RULE	The rule is a <code>CSSUnknownRule</code> [p.144] .

Attributes

`cssText` of type `DOMString` [p.21]

The parsable textual representation of the rule. This reflects the current state of the rule and not its initial value.

Exceptions on setting

<code>DOMException</code> [p.24]	SYNTAX_ERR : Raised if the specified CSS string value has a syntax error and is unparsable.
	INVALID_MODIFICATION_ERR : Raised if the specified CSS string value represents a different type of rule than the current one.
	HIERARCHY_REQUEST_ERR : Raised if the rule cannot be inserted at this point in the style sheet.
	NO_MODIFICATION_ALLOWED_ERR : Raised if the rule is readonly.

`parentRule` of type `CSSRule` [p.138] , readonly

If this rule is contained inside another rule (e.g. a style rule inside an `@media` block), this is the containing rule. If this rule is not nested inside any other rules, this returns `null`.

parentStyleSheet of type CSSStyleSheet [p.136] , readonly
The style sheet that contains this rule.

type of type unsigned short, readonly
The type of the rule, as defined above. The expectation is that binding-specific casting methods can be used to cast down from an instance of the CSSRule interface to the specific derived interface implied by the type.

Interface *CSSStyleRule* (introduced in **DOM Level 2**)

The CSSStyleRule interface represents a single *rule set* in a CSS style sheet.

IDL Definition

```
// Introduced in DOM Level 2:
interface CSSStyleRule : CSSRule {
    attribute DOMString          selectorText;
                                // raises(DOMException) on setting

    readonly attribute CSSStyleDeclaration style;
};
```

Attributes

selectorText of type DOMString [p.21]
The textual representation of the *selector* for the rule set. The implementation may have stripped out insignificant whitespace while parsing the selector.

Exceptions on setting

DOMException [p.24]	SYNTAX_ERR: Raised if the specified CSS string value has a syntax error and is unparseable.
------------------------	---

	NO_MODIFICATION_ALLOWED_ERR: Raised if this rule is readonly.
--	---

style of type CSSStyleDeclaration [p.145] , readonly
The *declaration-block* of this rule set.

Interface *CSSMediaRule* (introduced in **DOM Level 2**)

The CSSMediaRule interface represents a *@media rule* in a CSS style sheet. A *@media* rule can be used to delimit style rules for specific media types.

IDL Definition

```
// Introduced in DOM Level 2:
interface CSSMediaRule : CSSRule {
  readonly attribute StyleSheetList media;
  readonly attribute CSSRuleList cssRules;
  unsigned long insertRule(in DOMString rule,
                           in unsigned long index)
                           raises(DOMException);
  void deleteRule(in unsigned long index)
                 raises(DOMException);
};
```

Attributes

`cssRules` of type `CSSRuleList` [p.138], `readonly`
A list of all CSS rules contained within the media block.

`media` of type `StyleSheetList`, `readonly`
A list of *media types* for this rule.

Methods

`deleteRule`
Used to delete a rule from the media block.

Parameters

<code>unsigned long</code>	<code>index</code>	The index within the media block's rule collection of the rule to remove.
----------------------------	--------------------	---

Exceptions

<code>DOMException</code> [p.24]	<code>INDEX_SIZE_ERR</code> : Raised if the specified index does not correspond to a rule in the media rule list.
-------------------------------------	---

<code>NO_MODIFICATION_ALLOWED_ERR</code> : Raised if this media rule is <code>readonly</code> .

No Return Value

`insertRule`
Used to insert a new rule into the media block.

Parameters

DOMString [p.21]	rule	The parsable text representing the rule. For rule sets this contains both the selector and the style declaration. For at-rules, this specifies both the at-identifier and the rule content.
unsigned long	index	The index within the media block's rule collection of the rule before which to insert the specified rule. If the specified index is equal to the length of the media blocks's rule collection, the rule will be added to the end of the media block.

Return Value

unsigned long	The index within the media block's rule collection of the newly inserted rule.
------------------	--

Exceptions

DOMException [p.24]	<p>HIERARCHY_REQUEST_ERR: Raised if the rule cannot be inserted at the specified index, e.g., if an <code>@import</code> rule is inserted after a standard rule set or other at-rule.</p> <p>INDEX_SIZE_ERR: Raised if the specified index is not a valid insertion point.</p> <p>NO_MODIFICATION_ALLOWED_ERR: Raised if this media rule is readonly.</p> <p>SYNTAX_ERR: Raised if the specified rule has a syntax error and is unparsable.</p>
------------------------	---

Interface *CSSFontFaceRule* (introduced in **DOM Level 2**)

The `CSSFontFaceRule` interface represents a *@font-face rule* in a CSS style sheet. The `@font-face` rule is used to hold a set of font descriptions.

IDL Definition

```
// Introduced in DOM Level 2:
interface CSSFontFaceRule : CSSRule {
    readonly attribute CSSStyleDeclaration style;
};
```

Attributes

`style` of type `CSSStyleDeclaration` [p.145], readonly
The *declaration-block* of this rule.

Interface *CSSPageRule* (introduced in **DOM Level 2**)

The `CSSPageRule` interface represents a *@page rule* within a CSS style sheet. The *@page* rule is used to specify the dimensions, orientation, margins, etc. of a page box for paged media.

IDL Definition

```
// Introduced in DOM Level 2:
interface CSSPageRule : CSSRule {
    attribute DOMString          selectorText;
                                   // raises(DOMException) on setting

    readonly attribute CSSStyleDeclaration style;
};
```

Attributes

`selectorText` of type `DOMString` [p.21]

The parsable textual representation of the page selector for the rule.

Exceptions on setting

`DOMException` [p.24] **SYNTAX_ERR**: Raised if the specified CSS string value has a syntax error and is unparsable.

NO_MODIFICATION_ALLOWED_ERR: Raised if this rule is `readonly`.

`style` of type `CSSStyleDeclaration` [p.145], `readonly`

The *declaration-block* of this rule.

Interface *CSSImportRule* (introduced in **DOM Level 2**)

The `CSSImportRule` interface represents a *@import rule* within a CSS style sheet. The *@import* rule is used to import style rules from other style sheets.

IDL Definition

```
// Introduced in DOM Level 2:
interface CSSImportRule : CSSRule {
    readonly attribute DOMString      href;
    readonly attribute StyleSheetList stylesheets::MediaList media;
    readonly attribute CSSStyleSheet styleSheet;
};
```

Attributes

`href` of type `DOMString` [p.21], `readonly`

The location of the style sheet to be imported. The attribute will not contain the "url(...)" specifier around the URI.

`media` of type `StyleSheetList::MediaList`, `readonly`

A list of media types for which this style sheet may be used.

styleSheet of type CSSStyleSheet [p.136] , readonly

The style sheet referred to by this rule, if it has been loaded. The value of this attribute is null if the style sheet has not yet been loaded or if it will not be loaded (e.g. if the style sheet is for a media type not supported by the user agent).

Interface *CSSCharsetRule* (introduced in **DOM Level 2**)

The CSSCharsetRule interface represents a *@charset rule* in a CSS style sheet. The value of the encoding attribute does not at all affect the encoding of text data in the DOM objects; this encoding is always UTF-16. After a stylesheet is loaded, the value of the encoding attribute is the value found in the @charset rule. If there was no @charset in the original document, then no CSSCharsetRule is created. The value of the encoding attribute may also be used as a hint for the encoding used on serialization of the style sheet.

The value of the *@charset rule* (and therefore of the CSSCharsetRule) may not correspond to the encoding the document actually came in; character encoding information e.g. in an HTTP header, has priority (see <http://www.w3.org/TR/1998/REC-CSS2-19980512/syndata.html#x66>) but is not reflected in the CSSCharsetRule.

IDL Definition

```
// Introduced in DOM Level 2:
interface CSSCharsetRule : CSSRule {
    attribute DOMString          encoding;
                                // raises(DOMException) on setting
};
```

Attributes

encoding of type DOMString [p.21]

The encoding information used in this @charset rule.

Exceptions on setting

DOMException [p.24]	SYNTAX_ERR: Raised if the specified encoding value has a syntax error and is unparsable.
------------------------	--

	NO_MODIFICATION_ALLOWED_ERR: Raised if this encoding rule is readonly.
--	--

Interface *CSSUnknownRule* (introduced in **DOM Level 2**)

The CSSUnknownRule interface represents an at-rule not supported by this user agent.

IDL Definition

```
// Introduced in DOM Level 2:
interface CSSUnknownRule : CSSRule {
};
```


Interface *CSSStyleDeclaration* (introduced in **DOM Level 2**)

The *CSSStyleDeclaration* interface represents a single *CSS declaration block*. This interface may be used to determine the style properties currently set in a block or to set style properties explicitly within the block.

While an implementation may not recognize all CSS properties within a CSS declaration block, it is expected to provide access to all specified properties through the *CSSStyleDeclaration* interface. Furthermore, implementations that support a specific level of CSS should correctly handle *CSS shorthand* properties for that level. For a further discussion of shorthand properties, see the *CSS2Properties* [p.182] interface.

IDL Definition

```
// Introduced in DOM Level 2:
interface CSSStyleDeclaration {
    attribute DOMString          cssText;
                                // raises(DOMException) on setting

    DOMString                    getPropertyValue(in DOMString propertyName);
    CSSValue                      getPropertyCSSValue(in DOMString propertyName);
    DOMString                      removeProperty(in DOMString propertyName)
                                    raises(DOMException);
    DOMString                      getPropertyPriority(in DOMString propertyName);
    void                          setProperty(in DOMString propertyName,
                                                in DOMString value,
                                                in DOMString priority)
                                    raises(DOMException);

    readonly attribute unsigned long length;
    DOMString                      item(in unsigned long index);
    readonly attribute CSSRule      parentRule;
};
```

Attributes

cssText of type *DOMString* [p.21]

The parsable textual representation of the declaration block (excluding the surrounding curly braces). Setting this attribute will result in the parsing of the new value and resetting of the properties in the declaration block.

Exceptions on setting

DOMException [p.24] **SYNTAX_ERR**: Raised if the specified CSS string value has a syntax error and is unparseable.

NO_MODIFICATION_ALLOWED_ERR: Raised if this declaration is readonly or a property is readonly.

length of type *unsigned long*, readonly

The number of properties that have been explicitly set in this declaration block.

parentRule of type CSSRule [p.138] , readonly

The CSS rule that contains this declaration block or null if this CSSStyleDeclaration is not attached to a CSSRule [p.138] .

Methods

getPropertyCSSValue

Used to retrieve the object representation of the value of a CSS property if it has been explicitly set within this declaration block. This method returns null if the property is a *shorthand* property. Shorthand property values can only be accessed and modified as strings, using the getPropertyValue and setProperty methods.

Parameters

DOMString [p.21]	propertyName	The name of the CSS property. See the <i>CSS property index</i> .
---------------------	--------------	---

Return Value

CSSValue [p.148]	Returns the value of the property if it has been explicitly set for this declaration block. Returns null if the property has not been set.
---------------------	--

No Exceptions

getPropertyPriority

Used to retrieve the priority of a CSS property (e.g. the "important" qualifier) if the property has been explicitly set in this declaration block.

Parameters

DOMString [p.21]	propertyName	The name of the CSS property. See the <i>CSS property index</i> .
---------------------	--------------	---

Return Value

DOMString [p.21]	A string representing the priority (e.g. "important") if one exists. The empty string if none exists.
---------------------	---

No Exceptions

getPropertyValue

Used to retrieve the value of a CSS property if it has been explicitly set within this declaration block.

Parameters

DOMString [p.21]	propertyName	The name of the CSS property. See the <i>CSS property index</i> .
---------------------	--------------	---

Return Value

DOMString [p.21]	Returns the value of the property if it has been explicitly set for this declaration block. Returns the empty string if the property has not been set.
---------------------	--

No Exceptions

item

Used to retrieve the properties that have been explicitly set in this declaration block. The order of the properties retrieved using this method does not have to be the order in which they were set. This method can be used to iterate over all properties in this declaration block.

Parameters

unsigned long	index	Index of the property name to retrieve.
---------------	-------	---

Return Value

DOMString [p.21]	The name of the property at this ordinal position. The empty string if no property exists at this position.
---------------------	---

No Exceptions

removeProperty

Used to remove a CSS property if it has been explicitly set within this declaration block.

Parameters

DOMString [p.21]	propertyName	The name of the CSS property. See the <i>CSS property index</i> .
---------------------	--------------	---

Return Value

DOMString [p.21]	Returns the value of the property if it has been explicitly set for this declaration block. Returns the empty string if the property has not been set or the property name does not correspond to a valid CSS2 property.
---------------------	--

Exceptions

DOMException [p.24] NO_MODIFICATION_ALLOWED_ERR: Raised if this declaration is readonly or the property is readonly.

setProperty

Used to set a property value and priority within this declaration block.

Parameters

DOMString [p.21]	propertyName	The name of the CSS property. See the <i>CSS property index</i> .
DOMString	value	The new value of the property.
DOMString	priority	The new priority of the property (e.g. "important").

Exceptions

DOMException [p.24]	SYNTAX_ERR: Raised if the specified value has a syntax error and is unparseable.
	NO_MODIFICATION_ALLOWED_ERR: Raised if this declaration is readonly or the property is readonly.

No Return Value

Interface CSSValue (introduced in DOM Level 2)

The CSSValue interface represents a simple or a complex value. A CSSValue object only occurs in a context of a CSS property.

IDL Definition

```
// Introduced in DOM Level 2:
interface CSSValue {
  // UnitTypes
  const unsigned short    CSS_INHERIT           = 0;
  const unsigned short    CSS_PRIMITIVE_VALUE  = 1;
  const unsigned short    CSS_VALUE_LIST       = 2;
  const unsigned short    CSS_CUSTOM           = 3;

  attribute DOMString     cssText;
                          // raises(DOMException) on setting

  readonly attribute unsigned short  valueType;
};
```

Definition group *UnitTypes*

An integer indicating which type of unit applies to the value.

Defined Constants

CSS_CUSTOM	The value is a custom value.
CSS_INHERIT	The value is inherited.
CSS_PRIMITIVE_VALUE	The value is a primitive value and an instance of the <code>CSSPrimitiveValue</code> [p.149] interface can be obtained by using binding-specific casting methods on this instance of the <code>CSSValue</code> interface.
CSS_VALUE_LIST	The value is a list <code>CSSValue</code> .

Attributes

`cssText` of type `DOMString` [p.21]

A string representation of the current value.

Exceptions on setting

<code>DOMException</code> [p.24]	SYNTAX_ERR : Raised if the specified CSS string value has a syntax error (according to the attached property) or is unparseable.
	NO_MODIFICATION_ALLOWED_ERR : Raised if this value is readonly.

`valueType` of type `unsigned short`, readonly

A code defining the type of the value as defined above.

Interface *CSSPrimitiveValue* (introduced in **DOM Level 2**)

The `CSSPrimitiveValue` interface represents a single *CSS value*. This interface may be used to determine the value of a specific style property currently set in a block or to set a specific style property explicitly within the block. An instance of this interface can be obtained from the `getPropertyCSSValue` method of the `CSSStyleDeclaration` [p.145] interface. A `CSSPrimitiveValue` object only occurs in a context of a CSS property.

Conversions are allowed between absolute values (from millimeters to centimeters, from degrees to radians, and so on) but not between relative values. (For example, a pixel value cannot be converted to a centimeter value.) Percentage values can't be converted since they are relative to the parent value (or another property value). There is one exception for color percentage values: since a color percentage value is relative to the range 0-255, a color percentage value can be converted to a number; (see also the `RGBColor` [p.156] interface).

IDL Definition

```

// Introduced in DOM Level 2:
interface CSSPrimitiveValue : CSSValue {
  // UnitTypes
  const unsigned short      CSS_UNKNOWN          = 0;
  const unsigned short      CSS_NUMBER          = 1;
  const unsigned short      CSS_PERCENTAGE      = 2;
  const unsigned short      CSS_EMS            = 3;
  const unsigned short      CSS_EXS            = 4;
  const unsigned short      CSS_PX             = 5;
  const unsigned short      CSS_CM             = 6;
  const unsigned short      CSS_MM            = 7;
  const unsigned short      CSS_IN             = 8;
  const unsigned short      CSS_PT            = 9;
  const unsigned short      CSS_PC            = 10;
  const unsigned short      CSS_DEG           = 11;
  const unsigned short      CSS_RAD           = 12;
  const unsigned short      CSS_GRAD         = 13;
  const unsigned short      CSS_MS           = 14;
  const unsigned short      CSS_S            = 15;
  const unsigned short      CSS_HZ           = 16;
  const unsigned short      CSS_KHZ          = 17;
  const unsigned short      CSS_DIMENSION    = 18;
  const unsigned short      CSS_STRING       = 19;
  const unsigned short      CSS_URI          = 20;
  const unsigned short      CSS_IDENT        = 21;
  const unsigned short      CSS_ATTR         = 22;
  const unsigned short      CSS_COUNTER      = 23;
  const unsigned short      CSS_RECT         = 24;
  const unsigned short      CSS_RGBCOLOR     = 25;

  readonly attribute unsigned short  primitiveType;
  void          setFloatValue(in unsigned short unitType,
                             in float floatValue)
                raises(DOMException);
  float         getFloatValue(in unsigned short unitType)
                raises(DOMException);
  void          setStringValue(in unsigned short stringType,
                              in DOMString stringValue)
                raises(DOMException);
  DOMString     getStringValue()
                raises(DOMException);
  Counter       getCounterValue()
                raises(DOMException);
  Rect          getRectValue()
                raises(DOMException);
  RGBColor      getRGBColorValue()
                raises(DOMException);
};

```

Definition group *UnitTypes*

An integer indicating which type of unit applies to the value.

Defined Constants

CSS_ATTR	The value is a <i>attribute function</i> . The value can be obtained by using the <code>getStringValue</code> method.
CSS_CM	The value is a <i>length (cm)</i> . The value can be obtained by using the <code>getFloatValue</code> method.
CSS_COUNTER	The value is a <i>counter or counters function</i> . The value can be obtained by using the <code>getCounterValue</code> method.
CSS_DEG	The value is an <i>angle (deg)</i> . The value can be obtained by using the <code>getFloatValue</code> method.
CSS_DIMENSION	The value is a number with an unknown dimension. The value can be obtained by using the <code>getFloatValue</code> method.
CSS_EMS	The value is a <i>length (ems)</i> . The value can be obtained by using the <code>getFloatValue</code> method.
CSS_EXS	The value is a <i>length (exs)</i> . The value can be obtained by using the <code>getFloatValue</code> method.
CSS_GRAD	The value is an <i>angle (grad)</i> . The value can be obtained by using the <code>getFloatValue</code> method.
CSS_HZ	The value is a <i>frequency (Hz)</i> . The value can be obtained by using the <code>getFloatValue</code> method.
CSS_IDENT	The value is an <i>identifier</i> . The value can be obtained by using the <code>getStringValue</code> method.
CSS_IN	The value is a <i>length (in)</i> . The value can be obtained by using the <code>getFloatValue</code> method.
CSS_KHZ	The value is a <i>frequency (kHz)</i> . The value can be obtained by using the <code>getFloatValue</code> method.
CSS_MM	The value is a <i>length (mm)</i> . The value can be obtained by using the <code>getFloatValue</code> method.
CSS_MS	The value is a <i>time (ms)</i> . The value can be obtained by using the <code>getFloatValue</code> method.
CSS_NUMBER	The value is a simple <i>number</i> . The value can be obtained by using the <code>getFloatValue</code> method.
CSS_PC	The value is a <i>length (pc)</i> . The value can be obtained by using the <code>getFloatValue</code> method.
CSS_PERCENTAGE	The value is a <i>percentage</i> . The value can be obtained by using the <code>getFloatValue</code> method.

CSS_PT	The value is a <i>length (pt)</i> . The value can be obtained by using the <code>getFloatValue</code> method.
CSS_PX	The value is a <i>length (px)</i> . The value can be obtained by using the <code>getFloatValue</code> method.
CSS_RAD	The value is an <i>angle (rad)</i> . The value can be obtained by using the <code>getFloatValue</code> method.
CSS_RECT	The value is a <i>rect function</i> . The value can be obtained by using the <code>getRectValue</code> method.
CSS_RGBCOLOR	The value is a <i>RGB color</i> . The value can be obtained by using the <code>getRGBColorValue</code> method.
CSS_S	The value is a <i>time (s)</i> . The value can be obtained by using the <code>getFloatValue</code> method.
CSS_STRING	The value is a <i>STRING</i> . The value can be obtained by using the <code>getStringValue</code> method.
CSS_UNKNOWN	The value is not a recognized CSS2 value. The value can only be obtained by using the <code>cssText</code> attribute.
CSS_URI	The value is a <i>URI</i> . The value can be obtained by using the <code>getStringValue</code> method.

Attributes

`primitiveType` of type `unsigned short`, `readonly`
 The type of the value as defined by the constants specified above.

Methods

`getCounterValue`

This method is used to get the Counter value. If this CSS value doesn't contain a counter value, a `DOMException` [p.24] is raised. Modification to the corresponding style property can be achieved using the `Counter` [p.157] interface.

Return Value

`Counter` [p.157] The Counter value.

Exceptions

`DOMException` [p.24] `INVALID_ACCESS_ERR`: Raised if the CSS value doesn't contain a Counter value (e.g. this is not `CSS_COUNTER`).

No Parameters

`getFloatValue`

This method is used to get a float value in a specified unit. If this CSS value doesn't contain a float value or can't be converted into the specified unit, a `DOMException` [p.24] is raised.

Parameters

<code>unsigned short</code>	<code>unitType</code>	A unit code to get the float value. The unit code can only be a float unit type (i.e. <code>CSS_NUMBER</code> , <code>CSS_PERCENTAGE</code> , <code>CSS_EMS</code> , <code>CSS_EXS</code> , <code>CSS_PX</code> , <code>CSS_CM</code> , <code>CSS_MM</code> , <code>CSS_IN</code> , <code>CSS_PT</code> , <code>CSS_PC</code> , <code>CSS_DEG</code> , <code>CSS_RAD</code> , <code>CSS_GRAD</code> , <code>CSS_MS</code> , <code>CSS_S</code> , <code>CSS_HZ</code> , <code>CSS_KHZ</code> , <code>CSS_DIMENSION</code>).
-----------------------------	-----------------------	---

Return Value

<code>float</code>	The float value in the specified unit.
--------------------	--

Exceptions

<code>DOMException</code> [p.24]	<code>INVALID_ACCESS_ERR</code> : Raised if the CSS value doesn't contain a float value or if the float value can't be converted into the specified unit.
----------------------------------	---

`getRGBColorValue`

This method is used to get the RGB color. If this CSS value doesn't contain a RGB color value, a `DOMException` [p.24] is raised. Modification to the corresponding style property can be achieved using the `RGBColor` [p.156] interface.

Return Value

<code>RGBColor</code> [p.156]	the RGB color value.
-------------------------------	----------------------

Exceptions

<code>DOMException</code> [p.24]	<code>INVALID_ACCESS_ERR</code> : Raised if the attached property can't return a RGB color value (e.g. this is not <code>CSS_RGBCOLOR</code>).
----------------------------------	---

No Parameters`getRectValue`

This method is used to get the Rect value. If this CSS value doesn't contain a rect value, a `DOMException` [p.24] is raised. Modification to the corresponding style property can be achieved using the `Rect` [p.157] interface.

Return Value

Rect [p.157] The Rect value.

Exceptions

DOMException [p.24] INVALID_ACCESS_ERR: Raised if the CSS value doesn't contain a Rect value. (e.g. this is not CSS_RECT).

No Parameters`getStringValue`

This method is used to get the string value. If the CSS value doesn't contain a string value, a DOMException [p.24] is raised.

Note: Some properties (like 'font-family' or 'voice-family') convert a whitespace separated list of idents to a string.

Return Value

DOMString [p.21] The string value in the current unit. The current primitiveType can only be a string unit type (i.e. CSS_STRING, CSS_URI, CSS_IDENT and CSS_ATTR).

Exceptions

DOMException [p.24] INVALID_ACCESS_ERR: Raised if the CSS value doesn't contain a string value.

No Parameters`setFloatValue`

A method to set the float value with a specified unit. If the property attached with this value can not accept the specified unit or the float value, the value will be unchanged and a DOMException [p.24] will be raised.

Parameters

unsigned short	unitType	A unit code as defined above. The unit code can only be a float unit type (i.e. CSS_NUMBER, CSS_PERCENTAGE, CSS_EMS, CSS_EXS, CSS_PX, CSS_CM, CSS_MM, CSS_IN, CSS_PT, CSS_PC, CSS_DEG, CSS_RAD, CSS_GRAD, CSS_MS, CSS_S, CSS_HZ, CSS_KHZ, CSS_DIMENSION).
float	floatValue	The new float value.

Exceptions

DOMException [p.24]	INVALID_ACCESS_ERR: Raised if the attached property doesn't support the float value or the unit type.
	NO_MODIFICATION_ALLOWED_ERR: Raised if this property is readonly.

No Return Value

setStringValue

A method to set the string value with the specified unit. If the property attached to this value can't accept the specified unit or the string value, the value will be unchanged and a DOMException [p.24] will be raised.

Parameters

unsigned short	stringType	A string code as defined above. The string code can only be a string unit type (i.e. CSS_STRING, CSS_URI, CSS_IDENT, and CSS_ATTR).
DOMString [p.21]	stringValue	The new string value.

Exceptions

DOMException [p.24]	INVALID_ACCESS_ERR: Raised if the CSS value doesn't contain a string value or if the string value can't be converted into the specified unit.
	NO_MODIFICATION_ALLOWED_ERR: Raised if this property is readonly.

No Return Value**Interface *CSSValueList*** (introduced in **DOM Level 2**)

The `CSSValueList` interface provides the abstraction of an ordered collection of CSS values.

Some properties allow an empty list into their syntax. In that case, these properties take the `none` identifier. So, an empty list means that the property has the value `none`.

IDL Definition

```
// Introduced in DOM Level 2:
interface CSSValueList : CSSValue {
    readonly attribute unsigned long    length;
    CSSValue                            item(in unsigned long index);
};
```

Attributes

`length` of type `unsigned long`, `readonly`

The number of `CSSValues` [p.148] in the list. The range of valid values of the indices is 0 to `length-1` inclusive.

Methods

`item`

Used to retrieve a CSS rule by ordinal index. The order in this collection represents the order of the values in the CSS style property.

Parameters

`unsigned long` `index` Index into the collection.

Return Value

`CSSValue` The style rule at the `index` position in the `CSSValueList`,
[p.148] or `null` if that is not a valid index.

No Exceptions**Interface *RGBColor*** (introduced in **DOM Level 2**)

The `RGBColor` interface is used to represent any *RGB color* value. This interface reflects the values in the underlying style property. Hence, modifications made to the `CSSPrimitiveValue` [p.149] objects modify the style property.

A specified RGB color is not clipped (even if the number is outside the range 0-255 or 0%-100%). A computed RGB color is clipped depending on the device.

Even if a style sheet can only contain an integer for a color value, the internal storage of this integer is a float, and this can be used as a float in the specified or the computed style.

A color percentage value can always be converted to a number and vice versa.

IDL Definition

```
// Introduced in DOM Level 2:
interface RGBColor {
  readonly attribute CSSPrimitiveValue  red;
  readonly attribute CSSPrimitiveValue  green;
  readonly attribute CSSPrimitiveValue  blue;
};
```

Attributes

blue of type `CSSPrimitiveValue` [p.149] , readonly
This attribute is used for the blue value of the RGB color.

green of type `CSSPrimitiveValue` [p.149] , readonly
This attribute is used for the green value of the RGB color.

red of type `CSSPrimitiveValue` [p.149] , readonly
This attribute is used for the red value of the RGB color.

Interface *Rect* (introduced in **DOM Level 2**)

The *Rect* interface is used to represent any *rect* value. This interface reflects the values in the underlying style property. Hence, modifications made to the `CSSPrimitiveValue` [p.149] objects modify the style property.

IDL Definition

```
// Introduced in DOM Level 2:
interface Rect {
  readonly attribute CSSPrimitiveValue  top;
  readonly attribute CSSPrimitiveValue  right;
  readonly attribute CSSPrimitiveValue  bottom;
  readonly attribute CSSPrimitiveValue  left;
};
```

Attributes

bottom of type `CSSPrimitiveValue` [p.149] , readonly
This attribute is used for the bottom of the rect.

left of type `CSSPrimitiveValue` [p.149] , readonly
This attribute is used for the left of the rect.

right of type `CSSPrimitiveValue` [p.149] , readonly
This attribute is used for the right of the rect.

top of type `CSSPrimitiveValue` [p.149] , readonly
This attribute is used for the top of the rect.

Interface *Counter* (introduced in **DOM Level 2**)

The `Counter` interface is used to represent any *counter* or *counters function* value. This interface reflects the values in the underlying style property. Hence, modifications made to the `CSSPrimitiveValue` [p.149] objects modify the style property.

IDL Definition

```
// Introduced in DOM Level 2:
interface Counter {
    readonly attribute DOMString      identifier;
    readonly attribute DOMString      listStyle;
    readonly attribute DOMString      separator;
};
```

Attributes

- `identifier` of type `DOMString` [p.21], **readonly**
This attribute is used for the identifier of the counter.
- `listStyle` of type `DOMString` [p.21], **readonly**
This attribute is used for the style of the list.
- `separator` of type `DOMString` [p.21], **readonly**
This attribute is used for the separator of the nested counters.

5.2.1. Override and computed style sheet

Interface `ViewCSS` (introduced in **DOM Level 2**)

This interface represents a CSS view. The `getComputedStyle` method provides a **read only access** to the *computed values* of an element.

The expectation is that an instance of the `ViewCSS` interface can be obtained by using binding-specific casting methods on an instance of the `View` interface.

Since a computed style is related to an `Element` [p.59] node, if this element is removed from the document, the associated `CSSStyleDeclaration` [p.145] and `CSSValue` [p.148] related to this declaration are no longer valid.

IDL Definition

```
// Introduced in DOM Level 2:
interface ViewCSS : views::AbstractView {
    CSSStyleDeclaration getComputedStyle(in Element elt,
                                         in DOMString pseudoElt);
};
```

Methods

- `getComputedStyle`
This method is used to get the computed style as it is defined in [CSS2].

Parameters

Element [p.59]	elt	The element whose style is to be computed. This parameter cannot be null.
DOMString [p.21]	pseudoElt	The pseudo-element or null if none.

Return Value

CSSStyleDeclaration [p.145]	The computed style. The CSSStyleDeclaration is read-only and contains only absolute values.
--------------------------------	---

No Exceptions**Interface DocumentCSS** (introduced in **DOM Level 2**)

This interface represents a document with a CSS view.

The `getOverrideStyle` method provides a mechanism through which a DOM author could effect immediate change to the style of an element without modifying the explicitly linked style sheets of a document or the inline style of elements in the style sheets. This style sheet comes after the author style sheet in the cascade algorithm and is called *override style sheet*. The override style sheet takes precedence over author style sheets. An `!important` declaration still takes precedence over a normal declaration. Override, author, and user style sheets all may contain `!important` declarations. User `!important` rules take precedence over both override and author `!important` rules, and override `!important` rules take precedence over author `!important` rules.

The expectation is that an instance of the DocumentCSS interface can be obtained by using binding-specific casting methods on an instance of the Document [p.29] interface.

IDL Definition

```
// Introduced in DOM Level 2:
interface DocumentCSS : stylesheets::DocumentStyle {
    CSSStyleDeclaration getOverrideStyle(in Element elt,
                                        in DOMString pseudoElt);
};
```

Methods

`getOverrideStyle`

This method is used to retrieve the override style declaration for a specified element and a specified pseudo-element.

Parameters

Element [p.59]	elt	The element whose style is to be modified. This parameter cannot be null.
DOMString [p.21]	pseudoElt	The pseudo-element or null if none.

Return Value

CSSStyleDeclaration [p.145]	The override style declaration.
-----------------------------	---------------------------------

No Exceptions

5.2.2. Style sheet creation

Interface *DOMImplementationCSS* (introduced in **DOM Level 2**)

This interface allows the DOM user to create a `CSSStyleSheet` [p.136] outside the context of a document. There is no way to associate the new `CSSStyleSheet` with a document in DOM Level 2.

IDL Definition

```
// Introduced in DOM Level 2:
interface DOMImplementationCSS : DOMImplementation {
    CSSStyleSheet      createCSSStyleSheet(in DOMString title,
                                           in DOMString media);
};
```

Methods

`createCSSStyleSheet`
Creates a new `CSSStyleSheet` [p.136].

Parameters

DOMString [p.21]	title	The advisory title. See also the Style Sheet Interfaces [p.130] section.
DOMString	media	The comma-separated list of media associated with the new style sheet. See also the Style Sheet Interfaces [p.130] section.

Return Value

<code>CSSStyleSheet</code> [p.136]	A new CSS style sheet.
------------------------------------	------------------------

No Exceptions

5.2.3. Element with CSS inline style

Interface *ElementCSSInlineStyle* (introduced in **DOM Level 2**)

Inline style information attached to elements is exposed through the `style` attribute. This represents the contents of the *STYLE* attribute for HTML elements (or elements in other schemas or DTDs which use the *STYLE* attribute in the same way).

IDL Definition

```
// Introduced in DOM Level 2:
interface ElementCSSInlineStyle {
    readonly attribute CSSStyleDeclaration style;
};
```

Attributes

`style` of type `CSSStyleDeclaration` [p.145] , `readonly`
The style attribute.

5.3. CSS Extended Interfaces

The interfaces found within this section are not mandatory. A DOM application can use the `hasFeature` method of the `DOMImplementation` [p.26] interface to determine whether they are supported or not. The feature string for all the extended interfaces listed in this section is "CSS2".

The following table specifies the type of `CSSValue` [p.148] used to represent each property that can be specified in a `CSSStyleDeclaration` [p.145] found in a `CSSStyleRule` [p.140] for a CSS Level 2 style sheet. The expectation is that the `CSSValue` returned from the `getPropertyCSSValue` method on the `CSSStyleDeclaration` interface can be cast down, using binding-specific casting methods, to the specific derived interface.

For properties that are represented by a custom interface (the `valueType` of the `CSSValue` [p.148] is `CSS_CUSTOM`), the name of the derived interface is specified in the table. For properties that consist of lists of values (the `valueType` of the `CSSValue` is `CSS_VALUE_LIST`), the derived interface is `CSSValueList` [p.156] . For all other properties (the `valueType` of the `CSSValue` is `CSS_PRIMITIVE_VALUE`), the derived interface is `CSSPrimitiveValue` [p.149] .

Property Name	Representation
azimuth	CSS2Azimuth [p.165]
background	null
background-attachment	ident
background-color	rgbcolor, ident
background-image	uri, ident
background-position	CSS2BackgroundPosition [p.167]

5.3. CSS Extended Interfaces

background-repeat	ident
border	null
border-collapse	ident
border-color	null
border-spacing	CSS2BorderSpacing [p.170]
border-style	null
border-top, border-right, border-bottom, border-left	null
border-top-color, border-right-color, border-bottom-color, border-left-color	rgbcolor, ident
border-top-style, border-right-style, border-bottom-style, border-left-style	ident
border-top-width, border-right-width, border-bottom-width, border-left-width	length, ident
border-width	null
bottom	length, percentage, ident
caption-side	ident
clear	ident
clip	rect, ident
color	rgbcolor, ident
content	list of string, uri, counter, attr, ident
counter-increment	list of CSS2CounterIncrement [p.173]
counter-reset	list of CSS2CounterReset [p.173]
cue	null
cue-after, cue-before	uri, ident
cursor	CSS2Cursor [p.174]
direction	ident
display	ident
elevation	angle, ident
empty-cells	ident

5.3. CSS Extended Interfaces

float	ident
font	null
font-family	list of strings and ids
font-size	ident, length, percentage
font-size-adjust	number, ident
font-stretch	ident
font-style	ident
font-variant	ident
font-weight	ident
height	length, percentage, ident
left	length, percentage, ident
letter-spacing	ident, length
line-height	ident, length, percentage, number
list-style	null
list-style-image	uri, ident
list-style-position	ident
list-style-type	ident
margin	null
margin-top, margin-right, margin-bottom, margin-left	length, percentage, ident
marker-offset	length, ident
max-height	length, percentage, ident
max-width	length, percentage, ident
min-height	length, percentage, ident
min-width	length, percentage, ident
orphans	number
outline	null
outline-color	rgbcolor, ident
outline-style	ident

5.3. CSS Extended Interfaces

outline-width	length, ident
overflow	ident
padding	null
padding-top, padding-right, padding-bottom, padding-left	length, percentage
page	ident
page-break-after	ident
page-break-before	ident
page-break-inside	ident
pause	null
pause-after, pause-before	time, percentage
pitch	frequency, identifier
pitch-range	number
play-during	CSS2PlayDuring [p.175]
position	ident
quotes	list of string or ident
richness	number
right	length, percentage, ident
speak	ident
speak-header	ident
speak-numeral	ident
speak-punctuation	ident
speech-rate	number, ident
stress	number
table-layout	ident
text-align	ident, string
text-decoration	list of ident
text-indent	length, percentage
text-shadow	list of CSS2TextShadow [p.176]

text-transform	ident
top	length, percentage, ident
unicode-bidi	ident
vertical-align	ident, percentage, length
visibility	ident
voice-family	list of strings and idents
volume	number, percentage, ident
white-space	ident
widows	number
width	length, percentage, ident
word-spacing	length, ident
z-index	ident, number

Interface *CSS2Azimuth* (introduced in **DOM Level 2**)

The *CSS2Azimuth* interface represents the *azimuth* CSS Level 2 property.

IDL Definition

```
// Introduced in DOM Level 2:
interface CSS2Azimuth : CSSValue {
  readonly attribute unsigned short    azimuthType;
  readonly attribute DOMString         identifier;
  readonly attribute boolean          behind;
  void          setAngleValue(in unsigned short uType,
                             in float fValue)
                             raises(DOMException);
  float        getAngleValue(in unsigned short uType)
                             raises(DOMException);
  void          setIdentifier(in DOMString ident,
                             in boolean b)
                             raises(DOMException);
};
```

Attributes

azimuthType of type unsigned short, readonly

A code defining the type of the value as defined in *CSSValue* [p.148] . It would be one of *CSS_DEG*, *CSS_RAD*, *CSS_GRAD* or *CSS_IDENT*.

behind of type boolean, readonly

behind indicates whether the behind identifier has been set.

identifier of type DOMString [p.21] , readonly

If `azimuthType` is `CSS_IDENT`, `identifier` contains one of left-side, far-left, left, center-left, center, center-right, right, far-right, right-side, leftwards, rightwards. The empty string if none is set.

Methods

`getAngleValue`

Used to retrieve the float value of the azimuth property.

Parameters

unsigned short	<code>uType</code>	The unit type can be only an angle unit type (<code>CSS_DEG</code> , <code>CSS_RAD</code> or <code>CSS_GRAD</code>).
----------------	--------------------	--

Return Value

float	The float value.
-------	------------------

Exceptions

DOMException [p.24]	<code>INVALID_ACCESS_ERR</code> : Raised if the unit type is invalid.
---------------------	---

`setAngleValue`

A method to set the angle value with a specified unit. This method will unset any previously set identifier value.

Parameters

unsigned short	<code>uType</code>	The <code>unitType</code> could only be one of <code>CSS_DEG</code> , <code>CSS_RAD</code> or <code>CSS_GRAD</code> .
float	<code>fValue</code>	The new float value of the angle.

Exceptions

DOMException [p.24]	<code>INVALID_ACCESS_ERR</code> : Raised if the unit type is invalid.
	<code>NO_MODIFICATION_ALLOWED_ERR</code> : Raised if this property is readonly.

No Return Value

setIdentifier

Setting the identifier for the azimuth property will unset any previously set angle value. The value of `azimuthType` is set to `CSS_IDENT`

Parameters

DOMString [p.21]	ident	The new identifier. If the identifier is "leftwards" or "rightward", the behind attribute is ignored.
boolean	b	The new value for behind.

Exceptions

DOMException [p.24]	SYNTAX_ERR: Raised if the specified identifier has a syntax error and is unparseable.
	NO_MODIFICATION_ALLOWED_ERR: Raised if this property is readonly.

No Return Value**Interface *CSS2BackgroundPosition*** (introduced in **DOM Level 2**)

The `CSS2BackgroundPosition` interface represents the *background-position* CSS Level 2 property.

IDL Definition

```
// Introduced in DOM Level 2:
interface CSS2BackgroundPosition : CSSValue {
  readonly attribute unsigned short   horizontalType;
  readonly attribute unsigned short   verticalType;
  readonly attribute DOMString        horizontalIdentifier;
  readonly attribute DOMString        verticalIdentifier;
  float                               getHorizontalPosition(in float hType)
                                     raises(DOMException);
  float                               getVerticalPosition(in float vType)
                                     raises(DOMException);
  void                               setHorizontalPosition(in unsigned short hType,
                                                           in float value)
                                     raises(DOMException);
  void                               setVerticalPosition(in unsigned short vType,
                                                         in float value)
                                     raises(DOMException);
  void                               setPositionIdentifier(in DOMString hIdentifier,
                                                           in DOMString vIdentifier)
                                     raises(DOMException);
};
```

Attributes

`horizontalIdentifier` of type `DOMString` [p.21] , readonly

If `horizontalType` is `CSS_IDENT` or `CSS_INHERIT`, this attribute contains the string representation of the ident, otherwise it contains an empty string.

`horizontalType` of type `unsigned short`, readonly

A code defining the type of the horizontal value. It would be one of `CSS_PERCENTAGE`, `CSS_EMS`, `CSS_EXS`, `CSS_PX`, `CSS_CM`, `CSS_MM`, `CSS_IN`, `CSS_PT`, `CSS_PC` or `CSS_IDENT`. If one of horizontal or vertical is `CSS_IDENT`, it's guaranteed that the other is the same.

`verticalIdentifier` of type `DOMString` [p.21] , readonly

If `verticalType` is `CSS_IDENT` or `CSS_INHERIT`, this attribute contains the string representation of the ident, otherwise it contains an empty string. The value is "center" if only the `horizontalIdentifier` has been set.

`verticalType` of type `unsigned short`, readonly

A code defining the type of the horizontal value. The code can be one of the following units : `CSS_PERCENTAGE`, `CSS_EMS`, `CSS_EXS`, `CSS_PX`, `CSS_CM`, `CSS_MM`, `CSS_IN`, `CSS_PT`, `CSS_PC`, `CSS_IDENT`, `CSS_INHERIT`. If one of horizontal or vertical is `CSS_IDENT` or `CSS_INHERIT`, it's guaranteed that the other is the same.

Methods

`getHorizontalPosition`

This method is used to get the float value in a specified unit if the `horizontalPosition` represents a length or a percentage. If the float doesn't contain a float value or can't be converted into the specified unit, a `DOMException` [p.24] is raised.

Parameters

`float` `hType` The horizontal unit.

Return Value

`float` The float value.

Exceptions

`DOMException` [p.24] `INVALID_ACCESS_ERR`: Raised if the property doesn't contain a float or the value can't be converted.

`getVerticalPosition`

This method is used to get the float value in a specified unit if the `verticalPosition` represents a length or a percentage. If the float doesn't contain a float value or can't be converted into the specified unit, a `DOMException` [p.24] is raised. The value is 50% if only the horizontal value has been specified.

Parameters

float	vType	The vertical unit.
-------	-------	--------------------

Return Value

float	The float value.
-------	------------------

Exceptions

DOMException [p.24]	INVALID_ACCESS_ERR: Raised if the property doesn't contain a float or the value can't be converted.
------------------------	---

setHorizontalPosition

This method is used to set the horizontal position with a specified unit. If the vertical value is not a percentage or a length, it sets the vertical position to 50%.

Parameters

unsigned short	hType	The specified unit (a length or a percentage).
float	value	The new value.

Exceptions

DOMException [p.24]	INVALID_ACCESS_ERR: Raised if the specified unit is not a length or a percentage.
	NO_MODIFICATION_ALLOWED_ERR: Raised if this property is readonly.

No Return Value**setPositionIdentifier**

Sets the identifiers. If the second identifier is the empty string, the vertical identifier is set to its default value ("center").

Parameters

DOMString [p.21]	hIdentifier	The new horizontal identifier.
DOMString	vIdentifier	The new vertical identifier.

Exceptions

DOMException [p.24]	SYNTAX_ERR: Raised if the identifiers have a syntax error and are unparsable.
	NO_MODIFICATION_ALLOWED_ERR: Raised if this property is readonly.

No Return Value

setVerticalPosition

This method is used to set the vertical position with a specified unit. If the horizontal value is not a percentage or a length, it sets the vertical position to 50%.

Parameters

unsigned short	vType	The specified unit (a length or a percentage).
float	value	The new value.

Exceptions

DOMException [p.24]	INVALID_ACCESS_ERR: Raised if the specified unit is not a length or a percentage.
	NO_MODIFICATION_ALLOWED_ERR: Raised if this property is readonly.

No Return Value**Interface *CSS2BorderSpacing*** (introduced in **DOM Level 2**)

The *CSS2BorderSpacing* interface represents the *border-spacing* CSS Level 2 property.

IDL Definition

```
// Introduced in DOM Level 2:
interface CSS2BorderSpacing : CSSValue {
  readonly attribute unsigned short  horizontalType;
  readonly attribute unsigned short  verticalType;
  float          getHorizontalSpacing(in float hType)
                                   raises(DOMException);
  float          getVerticalSpacing(in float vType)
                                   raises(DOMException);
  void          setHorizontalSpacing(in unsigned short hType,
                                   in float value)
                                   raises(DOMException);
  void          setVerticalSpacing(in unsigned short vType,
                                   in float value)
                                   raises(DOMException);
};
```

Attributes

`horizontalType` of type `unsigned short`, `readonly`

The A code defining the type of the value as defined in `CSSValue` [p.148] . It would be one of `CSS_EMS`, `CSS_EXS`, `CSS_PX`, `CSS_CM`, `CSS_MM`, `CSS_IN`, `CSS_PT` or `CSS_PC`.

`verticalType` of type `unsigned short`, `readonly`

The A code defining the type of the value as defined in `CSSValue` [p.148] . It would be one of `CSS_EMS`, `CSS_EXS`, `CSS_PX`, `CSS_CM`, `CSS_MM`, `CSS_IN`, `CSS_PT`, `CSS_PC` or `CSS_INHERIT`.

Methods

`getHorizontalSpacing`

This method is used to get the float value in a specified unit if the `horizontalSpacing` represents a length. If the float doesn't contain a float value or can't be converted into the specified unit, a `DOMException` [p.24] is raised.

Parameters

`float` `hType` The horizontal unit.

Return Value

`float` The float value.

Exceptions

`DOMException` `INVALID_ACCESS_ERR`: Raised if the property doesn't
[p.24] contain a float or the value can't be converted.

`getVerticalSpacing`

This method is used to get the float value in a specified unit if the `verticalSpacing` represents a length. If the float doesn't contain a float value or can't be converted into the specified unit, a `DOMException` [p.24] is raised. The value is 0 if only the horizontal value has been specified.

Parameters

`float` `vType` The vertical unit.

Return Value

`float` The float value.

Exceptions

DOMException [p.24]	INVALID_ACCESS_ERR: Raised if the property doesn't contain a float or the value can't be converted.
------------------------	---

`setHorizontalSpacing`

This method is used to set the horizontal spacing with a specified unit. If the vertical value is a length, it sets the vertical spacing to 0.

Parameters

unsigned short	hType	The horizontal unit.
float	value	The new value.

Exceptions

DOMException [p.24]	INVALID_ACCESS_ERR: Raised if the specified unit is not a length.
	NO_MODIFICATION_ALLOWED_ERR: Raised if this property is readonly.

No Return Value`setVerticalSpacing`

This method is used to set the vertical spacing with a specified unit. If the horizontal value is not a length, it sets the vertical spacing to 0.

Parameters

unsigned short	vType	The vertical unit.
float	value	The new value.

Exceptions

DOMException [p.24]	INVALID_ACCESS_ERR: Raised if the specified unit is not a length or a percentage.
	NO_MODIFICATION_ALLOWED_ERR: Raised if this property is readonly.

No Return Value

Interface *CSS2CounterReset* (introduced in **DOM Level 2**)

The `CSS2CounterReset` interface represents a simple value for the *counter-reset* CSS Level 2 property.

IDL Definition

```
// Introduced in DOM Level 2:
interface CSS2CounterReset : CSSValue {
    attribute DOMString    identifier;
                            // raises(DOMException) on setting

    attribute short       reset;
                            // raises(DOMException) on setting
};
```

Attributes

`identifier` of type `DOMString` [p.21]

The element name.

Exceptions on setting

<code>DOMException</code> [p.24]	<code>SYNTAX_ERR</code> : Raised if the specified identifier has a syntax error and is unparseable.
	<code>NO_MODIFICATION_ALLOWED_ERR</code> : Raised if this identifier is readonly.

`reset` of type `short`

The reset (default value is 0).

Exceptions on setting

<code>DOMException</code> [p.24]	<code>NO_MODIFICATION_ALLOWED_ERR</code> : Raised if this identifier is readonly.
-------------------------------------	---

Interface *CSS2CounterIncrement* (introduced in **DOM Level 2**)

The `CSS2CounterIncrement` interface represents a simple value for the *counter-increment* CSS Level 2 property.

IDL Definition

```
// Introduced in DOM Level 2:
interface CSS2CounterIncrement : CSSValue {
    attribute DOMString    identifier;
                            // raises(DOMException) on setting

    attribute short       increment;
                            // raises(DOMException) on setting
};
```

Attributes

identifier of type DOMString [p.21]

The element name.

Exceptions on setting

DOMException
[p.24]

SYNTAX_ERR: Raised if the specified identifier has a syntax error and is unparsable.

NO_MODIFICATION_ALLOWED_ERR: Raised if this identifier is readonly.

increment of type short

The increment. (Default value is 1.)

Exceptions on setting

DOMException
[p.24]

NO_MODIFICATION_ALLOWED_ERR: Raised if this identifier is readonly.

Interface CSS2Cursor (introduced in **DOM Level 2**)

The CSS2Cursor interface represents the *cursor* CSS Level 2 property.

IDL Definition

```
// Introduced in DOM Level 2:
interface CSS2Cursor : CSSValue {
    readonly attribute CSSValueList    uris;
    attribute DOMString                predefinedCursor;
    // raises(DOMException) on setting
};
```

Attributes

predefinedCursor of type DOMString [p.21]

This identifier represents a generic cursor name or an empty string.

Exceptions on setting

DOMException
[p.24]

SYNTAX_ERR: Raised if the specified CSS string value has a syntax error and is unparsable.

NO_MODIFICATION_ALLOWED_ERR: Raised if this declaration is readonly.

uris of type CSSValueList [p.156], readonly

uris represents the list of URIs (CSS_URI) on the cursor property. The list can be empty.

Interface *CSS2PlayDuring* (introduced in **DOM Level 2**)

The *CSS2PlayDuring* interface represents the *play-during* CSS Level 2 property.

IDL Definition

```
// Introduced in DOM Level 2:
interface CSS2PlayDuring : CSSValue {
    readonly attribute unsigned short    playDuringType;
    attribute DOMString                  playDuringIdentifier;
                                        // raises(DOMException) on setting

    attribute DOMString                  uri;
                                        // raises(DOMException) on setting

    attribute boolean                    mix;
                                        // raises(DOMException) on setting

    attribute boolean                    repeat;
                                        // raises(DOMException) on setting
};
```

Attributes

mix of type boolean

true if the sound should be mixed. It will be ignored if the attribute doesn't contain a uri.

Exceptions on setting

DOMException [p.24]	NO_MODIFICATION_ALLOWED_ERR: Raised if this declaration is readonly.
------------------------	--

playDuringIdentifier of type DOMString [p.21]

One of "inherit", "auto", "none" or the empty string if the playDuringType is CSS_UNKNOWN. On setting, it will set the uri to the empty string and mix and repeat to false.

Exceptions on setting

DOMException [p.24]	SYNTAX_ERR: Raised if the specified CSS string value has a syntax error and is unparseable.
------------------------	---

	NO_MODIFICATION_ALLOWED_ERR: Raised if this declaration is readonly.
--	--

playDuringType of type unsigned short, readonly

A code defining the type of the value as defined in CSSValue. It would be one of CSS_UNKNOWN or CSS_IDENT.

repeat of type boolean

true if the sound should be repeated. It will be ignored if the attribute doesn't contain a uri.

Exceptions on setting

DOMException [p.24]	NO_MODIFICATION_ALLOWED_ERR: Raised if this declaration is readonly.
------------------------	--

uri of type DOMString [p.21]

The sound specified by the uri. It will set the playDuringType attribute to CSS_UNKNOWN.

Exceptions on setting

DOMException [p.24]	SYNTAX_ERR: Raised if the specified CSS string value has a syntax error and is unparsable.
	NO_MODIFICATION_ALLOWED_ERR: Raised if this declaration is readonly.

Interface CSS2TextShadow (introduced in **DOM Level 2**)

The CSS2TextShadow interface represents a simple value for the *text-shadow* CSS Level 2 property.

IDL Definition

```
// Introduced in DOM Level 2:
interface CSS2TextShadow {
    readonly attribute CSSValue    color;
    readonly attribute CSSValue    horizontal;
    readonly attribute CSSValue    vertical;
    readonly attribute CSSValue    blur;
};
```

Attributes

blur of type CSSValue [p.148] , readonly

The blur radius of the text shadow. 0 if no length has been specified.

color of type CSSValue [p.148] , readonly

Specifies the color of the text shadow. The CSS Value can contain an empty string if no color has been specified.

horizontal of type CSSValue [p.148] , readonly

The horizontal position of the text shadow. 0 if no length has been specified.

vertical of type CSSValue [p.148] , readonly

The vertical position of the text shadow. 0 if no length has been specified.

The following table specifies the type of `CSSValue` [p.148] used to represent each descriptor that can be specified in a `CSSStyleDeclaration` [p.145] found in a `CSSFontFaceRule` [p.142] for a CSS Level 2 style sheet.

Property Name	Representation
font-family	list of strings and idents
font-style	list of idents
font-variant	list of idents
font-weight	list of idents
font-stretch	list of idents
font-size	list of lengths or ident
unicode-range	list of strings. Example: "U+370-3FF", "U+1F??"
units-per-em	number
src	list of <code>CSS2FontFaceSrc</code> [p.178]
panose-1	list of integers
stemv	number
stemh	number
slope	number
cap-height	number
x-height	number
ascent	number
descent	number
widths	list of <code>CSS2FontFaceWidths</code> [p.178]
bbox	list of numbers
definition-src	uri
baseline	number
centerline	number
mathline	number
topline	number

Interface *CSS2FontFaceSrc* (introduced in **DOM Level 2**)

The `CSS2FontFaceSrc` interface represents the *src* CSS Level 2 descriptor.

IDL Definition

```
// Introduced in DOM Level 2:
interface CSS2FontFaceSrc {
    attribute DOMString          uri;
                                // raises(DOMException) on setting

    readonly attribute CSSValueList format;
    attribute DOMString          fontFaceName;
                                // raises(DOMException) on setting
};
```

Attributes

`fontFaceName` of type `DOMString` [p.21]
Specifies the full font name of a locally installed font.

Exceptions on setting

<code>DOMException</code> [p.24]	<code>SYNTAX_ERR</code> : Raised if the specified CSS string value has a syntax error and is unparsable.
-------------------------------------	--

	<code>NO_MODIFICATION_ALLOWED_ERR</code> : Raised if this declaration is readonly.
--	--

`format` of type `CSSValueList` [p.156], readonly
This attribute contains a list of strings for the `format` CSS function.

`uri` of type `DOMString` [p.21]
Specifies the source of the font, empty string otherwise.

Exceptions on setting

<code>DOMException</code> [p.24]	<code>SYNTAX_ERR</code> : Raised if the specified CSS string value has a syntax error and is unparsable.
-------------------------------------	--

	<code>NO_MODIFICATION_ALLOWED_ERR</code> : Raised if this declaration is readonly.
--	--

Interface *CSS2FontFaceWidths* (introduced in **DOM Level 2**)

The `CSS2FontFaceWidths` interface represents a simple value for the *widths* CSS Level 2 descriptor.

IDL Definition

```
// Introduced in DOM Level 2:
interface CSS2FontFaceWidths {
    attribute DOMString          urange;
                                // raises(DOMException) on setting

    readonly attribute CSSValueList numbers;
};
```

Attributes

numbers of type CSSValueList [p.156] , readonly

A list of numbers representing the glyph widths.

urange of type DOMString [p.21]

The range for the characters.

Exceptions on setting

DOMException
[p.24]

SYNTAX_ERR: Raised if the specified CSS string value has a syntax error and is unparsable.

NO_MODIFICATION_ALLOWED_ERR: Raised if this declaration is readonly.

The following table specifies the type of CSSValue [p.148] used to represent each property that can be specified in a CSSStyleDeclaration [p.145] found in a CSSPageRule [p.143] for a CSS Level 2 style sheet.

Property Name	Representation
margin	null
margin-top, margin-right, margin-bottom, margin-left	length (no CSS_EMS and CSS_EXS), percentage, ident
marks	list of idents
size	CSS2PageSize [p.179]

Interface CSS2PageSize (introduced in **DOM Level 2**)

The CSS2PageSize interface represents the *size* CSS Level 2 descriptor.

IDL Definition

```
// Introduced in DOM Level 2:
interface CSS2PageSize : CSSValue {
    readonly attribute unsigned short widthType;
    readonly attribute unsigned short heightType;
    readonly attribute DOMString identifier;
    float getWidth(in float wType)
                                raises(DOMException);
    float getHeightSize(in float hType)
                                raises(DOMException);
};
```

```

void          setWidthSize(in unsigned short wType,
                          in float value)
                          raises(DOMException);
void          setHeightSize(in unsigned short hType,
                            in float value)
                            raises(DOMException);
void          setIdentifier(in DOMString ident)
                            raises(DOMException);
};

```

Attributes

`heightType` of type `unsigned short`, readonly

A code defining the type of the height of the page. It would be one of `CSS_EMS`, `CSS_EXS`, `CSS_PX`, `CSS_CM`, `CSS_MM`, `CSS_IN`, `CSS_PT`, `CSS_PC` or `CSS_IDENT`. If one of width or height is `CSS_IDENT`, it's guaranteed that the other is the same.

`identifier` of type `DOMString` [p.21], readonly

If width is `CSS_IDENT`, this attribute contains the string representation of the ident, otherwise it contains an empty string.

`widthType` of type `unsigned short`, readonly

A code defining the type of the width of the page. It would be one of `CSS_EMS`, `CSS_EXS`, `CSS_PX`, `CSS_CM`, `CSS_MM`, `CSS_IN`, `CSS_PT`, `CSS_PC` or `CSS_IDENT`.

Methods

`getHeightSize`

This method is used to get the float value in a specified unit if the `heightType` represents a length. If the float doesn't contain a float value or can't be converted into the specified unit, a `DOMException` [p.24] is raised. If only the width value has been specified, the height value is the same.

Parameters

`float` `hType` The height unit.

Return Value

`float` The float value.

Exceptions

`DOMException` [p.24] `INVALID_ACCESS_ERR`: Raised if the property doesn't contain a float or the value can't be converted.

`getWidth`

This method is used to get the float value in a specified unit if the `widthType` represents a length. If the float doesn't contain a float value or can't be converted into the specified unit, a `DOMException` [p.24] is raised.

Parameters

float	wType	The width unit.
-------	-------	-----------------

Return Value

float	The float value.
-------	------------------

Exceptions

DOMException [p.24]	INVALID_ACCESS_ERR: Raised if the property doesn't contain a float or the value can't be converted.
------------------------	---

setWidthSize

This method is used to set the width position with a specified unit. If the widthType is not a length, it sets the width position to the same value.

Parameters

unsigned short	hType	The height unit.
float	value	The new value.

Exceptions

DOMException [p.24]	INVALID_ACCESS_ERR: Raised if the specified unit is not a length or a percentage.
------------------------	---

NO_MODIFICATION_ALLOWED_ERR: Raised if this property is readonly.

No Return Value**setIdentifier**

Sets the identifier.

Parameters

DOMString [p.21]	ident	The new identifier.
------------------	-------	---------------------

Exceptions

DOMException [p.24]	SYNTAX_ERR: Raised if the identifier has a syntax error and is unparseable.
	NO_MODIFICATION_ALLOWED_ERR: Raised if this property is readonly.

No Return Value

setWidthSize

This method is used to set the width position with a specified unit. If the heightType is not a length, it sets the height position to the same value.

Parameters

unsigned short	wType	The width unit.
float	value	The new value.

Exceptions

DOMException [p.24]	INVALID_ACCESS_ERR: Raised if the specified unit is not a length or a percentage.
	NO_MODIFICATION_ALLOWED_ERR: Raised if this property is readonly.

No Return Value**Interface CSS2Properties** (introduced in **DOM Level 2**)

The `CSS2Properties` interface represents a convenience mechanism for retrieving and setting properties within a `CSSStyleDeclaration` [p.145]. The attributes of this interface correspond to all the *properties specified in CSS2*. Getting an attribute of this interface is equivalent to calling the `getPropertyValue` method of the `CSSStyleDeclaration` interface. Setting an attribute of this interface is equivalent to calling the `setProperty` method of the `CSSStyleDeclaration` interface.

A compliant implementation is not required to implement the `CSS2Properties` interface. If an implementation does implement this interface, the expectation is that language-specific methods can be used to cast from an instance of the `CSSStyleDeclaration` [p.145] interface to the `CSS2Properties` interface.

If an implementation does implement this interface, it is expected to understand the specific syntax of the shorthand properties, and apply their semantics; when the `margin` property is set, for example, the `marginTop`, `marginRight`, `marginBottom` and `marginLeft` properties are actually being set by the underlying implementation.

When dealing with CSS "shorthand" properties, the shorthand properties should be decomposed into their component longhand properties as appropriate, and when querying for their value, the form returned should be the shortest form exactly equivalent to the declarations made in the ruleset. However, if there is no shorthand declaration that could be added to the ruleset without changing in any way the rules already declared in the ruleset (i.e., by adding longhand rules that were previously not declared in the ruleset), then the empty string should be returned for the shorthand property.

For example, querying for the `font` property should not return "normal normal normal 14pt/normal Arial, sans-serif", when "14pt Arial, sans-serif" suffices. (The normals are initial values, and are implied by use of the longhand property.)

If the values for all the longhand properties that compose a particular string are the initial values, then a string consisting of all the initial values should be returned (e.g. a `border-width` value of "medium" should be returned as such, not as "").

For some shorthand properties that take missing values from other sides, such as the `margin`, `padding`, and `border-[width|style|color]` properties, the minimum number of sides possible should be used; i.e., "0px 10px" will be returned instead of "0px 10px 0px 10px".

If the value of a shorthand property can not be decomposed into its component longhand properties, as is the case for the `font` property with a value of "menu", querying for the values of the component longhand properties should return the empty string.

IDL Definition

```
// Introduced in DOM Level 2:
interface CSS2Properties {
    attribute DOMString      azimuth;
                               // raises(DOMException) on setting

    attribute DOMString      background;
                               // raises(DOMException) on setting

    attribute DOMString      backgroundAttachment;
                               // raises(DOMException) on setting

    attribute DOMString      backgroundColor;
                               // raises(DOMException) on setting

    attribute DOMString      backgroundImage;
                               // raises(DOMException) on setting

    attribute DOMString      backgroundPosition;
                               // raises(DOMException) on setting

    attribute DOMString      backgroundRepeat;
                               // raises(DOMException) on setting

    attribute DOMString      border;
                               // raises(DOMException) on setting

    attribute DOMString      borderCollapse;
                               // raises(DOMException) on setting
}
```

5.3. CSS Extended Interfaces

```
attribute DOMString      borderColor;
                          // raises(DOMException) on setting

attribute DOMString      borderSpacing;
                          // raises(DOMException) on setting

attribute DOMString      borderStyle;
                          // raises(DOMException) on setting

attribute DOMString      borderTop;
                          // raises(DOMException) on setting

attribute DOMString      borderRight;
                          // raises(DOMException) on setting

attribute DOMString      borderBottom;
                          // raises(DOMException) on setting

attribute DOMString      borderLeft;
                          // raises(DOMException) on setting

attribute DOMString      borderTopColor;
                          // raises(DOMException) on setting

attribute DOMString      borderRightColor;
                          // raises(DOMException) on setting

attribute DOMString      borderBottomColor;
                          // raises(DOMException) on setting

attribute DOMString      borderLeftColor;
                          // raises(DOMException) on setting

attribute DOMString      borderTopStyle;
                          // raises(DOMException) on setting

attribute DOMString      borderRightStyle;
                          // raises(DOMException) on setting

attribute DOMString      borderBottomStyle;
                          // raises(DOMException) on setting

attribute DOMString      borderLeftStyle;
                          // raises(DOMException) on setting

attribute DOMString      borderTopWidth;
                          // raises(DOMException) on setting

attribute DOMString      borderRightWidth;
                          // raises(DOMException) on setting

attribute DOMString      borderBottomWidth;
                          // raises(DOMException) on setting

attribute DOMString      borderLeftWidth;
                          // raises(DOMException) on setting
```


5.3. CSS Extended Interfaces

```
attribute DOMString    borderWidth;
                        // raises(DOMException) on setting

attribute DOMString    bottom;
                        // raises(DOMException) on setting

attribute DOMString    captionSide;
                        // raises(DOMException) on setting

attribute DOMString    clear;
                        // raises(DOMException) on setting

attribute DOMString    clip;
                        // raises(DOMException) on setting

attribute DOMString    color;
                        // raises(DOMException) on setting

attribute DOMString    content;
                        // raises(DOMException) on setting

attribute DOMString    counterIncrement;
                        // raises(DOMException) on setting

attribute DOMString    counterReset;
                        // raises(DOMException) on setting

attribute DOMString    cue;
                        // raises(DOMException) on setting

attribute DOMString    cueAfter;
                        // raises(DOMException) on setting

attribute DOMString    cueBefore;
                        // raises(DOMException) on setting

attribute DOMString    cursor;
                        // raises(DOMException) on setting

attribute DOMString    direction;
                        // raises(DOMException) on setting

attribute DOMString    display;
                        // raises(DOMException) on setting

attribute DOMString    elevation;
                        // raises(DOMException) on setting

attribute DOMString    emptyCells;
                        // raises(DOMException) on setting

attribute DOMString    cssFloat;
                        // raises(DOMException) on setting

attribute DOMString    font;
                        // raises(DOMException) on setting
```

5.3. CSS Extended Interfaces

```
attribute DOMString      fontFamily;
                          // raises(DOMException) on setting

attribute DOMString      fontSize;
                          // raises(DOMException) on setting

attribute DOMString      fontSizeAdjust;
                          // raises(DOMException) on setting

attribute DOMString      fontStretch;
                          // raises(DOMException) on setting

attribute DOMString      fontStyle;
                          // raises(DOMException) on setting

attribute DOMString      fontVariant;
                          // raises(DOMException) on setting

attribute DOMString      fontWeight;
                          // raises(DOMException) on setting

attribute DOMString      height;
                          // raises(DOMException) on setting

attribute DOMString      left;
                          // raises(DOMException) on setting

attribute DOMString      letterSpacing;
                          // raises(DOMException) on setting

attribute DOMString      lineHeight;
                          // raises(DOMException) on setting

attribute DOMString      listStyle;
                          // raises(DOMException) on setting

attribute DOMString      listStyleImage;
                          // raises(DOMException) on setting

attribute DOMString      listStylePosition;
                          // raises(DOMException) on setting

attribute DOMString      listStyleType;
                          // raises(DOMException) on setting

attribute DOMString      margin;
                          // raises(DOMException) on setting

attribute DOMString      marginTop;
                          // raises(DOMException) on setting

attribute DOMString      marginRight;
                          // raises(DOMException) on setting

attribute DOMString      marginBottom;
                          // raises(DOMException) on setting
```

5.3. CSS Extended Interfaces

```
attribute DOMString      marginLeft;
                          // raises(DOMException) on setting

attribute DOMString      markerOffset;
                          // raises(DOMException) on setting

attribute DOMString      marks;
                          // raises(DOMException) on setting

attribute DOMString      maxHeight;
                          // raises(DOMException) on setting

attribute DOMString      maxWidth;
                          // raises(DOMException) on setting

attribute DOMString      minHeight;
                          // raises(DOMException) on setting

attribute DOMString      minWidth;
                          // raises(DOMException) on setting

attribute DOMString      orphans;
                          // raises(DOMException) on setting

attribute DOMString      outline;
                          // raises(DOMException) on setting

attribute DOMString      outlineColor;
                          // raises(DOMException) on setting

attribute DOMString      outlineStyle;
                          // raises(DOMException) on setting

attribute DOMString      outlineWidth;
                          // raises(DOMException) on setting

attribute DOMString      overflow;
                          // raises(DOMException) on setting

attribute DOMString      padding;
                          // raises(DOMException) on setting

attribute DOMString      paddingTop;
                          // raises(DOMException) on setting

attribute DOMString      paddingRight;
                          // raises(DOMException) on setting

attribute DOMString      paddingBottom;
                          // raises(DOMException) on setting

attribute DOMString      paddingLeft;
                          // raises(DOMException) on setting

attribute DOMString      page;
                          // raises(DOMException) on setting
```

5.3. CSS Extended Interfaces

```
attribute DOMString    pageBreakAfter;  
                        // raises(DOMException) on setting  
attribute DOMString    pageBreakBefore;  
                        // raises(DOMException) on setting  
attribute DOMString    pageBreakInside;  
                        // raises(DOMException) on setting  
attribute DOMString    pause;  
                        // raises(DOMException) on setting  
attribute DOMString    pauseAfter;  
                        // raises(DOMException) on setting  
attribute DOMString    pauseBefore;  
                        // raises(DOMException) on setting  
attribute DOMString    pitch;  
                        // raises(DOMException) on setting  
attribute DOMString    pitchRange;  
                        // raises(DOMException) on setting  
attribute DOMString    playDuring;  
                        // raises(DOMException) on setting  
attribute DOMString    position;  
                        // raises(DOMException) on setting  
attribute DOMString    quotes;  
                        // raises(DOMException) on setting  
attribute DOMString    richness;  
                        // raises(DOMException) on setting  
attribute DOMString    right;  
                        // raises(DOMException) on setting  
attribute DOMString    size;  
                        // raises(DOMException) on setting  
attribute DOMString    speak;  
                        // raises(DOMException) on setting  
attribute DOMString    speakHeader;  
                        // raises(DOMException) on setting  
attribute DOMString    speakNumeral;  
                        // raises(DOMException) on setting  
attribute DOMString    speakPunctuation;  
                        // raises(DOMException) on setting  
attribute DOMString    speechRate;  
                        // raises(DOMException) on setting
```

5.3. CSS Extended Interfaces

```
attribute DOMString      stress;  
                          // raises(DOMException) on setting  
  
attribute DOMString      tableLayout;  
                          // raises(DOMException) on setting  
  
attribute DOMString      textAlign;  
                          // raises(DOMException) on setting  
  
attribute DOMString      textDecoration;  
                          // raises(DOMException) on setting  
  
attribute DOMString      textIndent;  
                          // raises(DOMException) on setting  
  
attribute DOMString      textShadow;  
                          // raises(DOMException) on setting  
  
attribute DOMString      textTransform;  
                          // raises(DOMException) on setting  
  
attribute DOMString      top;  
                          // raises(DOMException) on setting  
  
attribute DOMString      unicodeBidi;  
                          // raises(DOMException) on setting  
  
attribute DOMString      verticalAlign;  
                          // raises(DOMException) on setting  
  
attribute DOMString      visibility;  
                          // raises(DOMException) on setting  
  
attribute DOMString      voiceFamily;  
                          // raises(DOMException) on setting  
  
attribute DOMString      volume;  
                          // raises(DOMException) on setting  
  
attribute DOMString      whiteSpace;  
                          // raises(DOMException) on setting  
  
attribute DOMString      widows;  
                          // raises(DOMException) on setting  
  
attribute DOMString      width;  
                          // raises(DOMException) on setting  
  
attribute DOMString      wordSpacing;  
                          // raises(DOMException) on setting  
  
attribute DOMString      zIndex;  
                          // raises(DOMException) on setting  
  
};
```

Attributes

azimuth of type DOMString [p.21]

See the *azimuth property definition* in CSS2.

Exceptions on setting

DOMException
[p.24]

SYNTAX_ERR: Raised if the new value has a syntax error and is unparseable.

NO_MODIFICATION_ALLOWED_ERR: Raised if this property is readonly.

background of type DOMString [p.21]

See the *background property definition* in CSS2.

Exceptions on setting

DOMException
[p.24]

SYNTAX_ERR: Raised if the new value has a syntax error and is unparseable.

NO_MODIFICATION_ALLOWED_ERR: Raised if this property is readonly.

backgroundAttachment of type DOMString [p.21]

See the *background-attachment property definition* in CSS2.

Exceptions on setting

DOMException
[p.24]

SYNTAX_ERR: Raised if the new value has a syntax error and is unparseable.

NO_MODIFICATION_ALLOWED_ERR: Raised if this property is readonly.

backgroundColor of type DOMString [p.21]

See the *background-color property definition* in CSS2.

Exceptions on setting

DOMException
[p.24]

SYNTAX_ERR: Raised if the new value has a syntax error and is unparseable.

NO_MODIFICATION_ALLOWED_ERR: Raised if this property is readonly.

backgroundImage of type DOMString [p.21]

See the *background-image property definition* in CSS2.

Exceptions on setting

DOMException [p.24] SYNTAX_ERR: Raised if the new value has a syntax error and is unparsable.

NO_MODIFICATION_ALLOWED_ERR: Raised if this property is readonly.

backgroundPosition of type DOMString [p.21]
See the *background-position property definition* in CSS2.

Exceptions on setting

DOMException [p.24] SYNTAX_ERR: Raised if the new value has a syntax error and is unparsable.

NO_MODIFICATION_ALLOWED_ERR: Raised if this property is readonly.

backgroundRepeat of type DOMString [p.21]
See the *background-repeat property definition* in CSS2.

Exceptions on setting

DOMException [p.24] SYNTAX_ERR: Raised if the new value has a syntax error and is unparsable.

NO_MODIFICATION_ALLOWED_ERR: Raised if this property is readonly.

border of type DOMString [p.21]
See the *border property definition* in CSS2.

Exceptions on setting

DOMException [p.24] SYNTAX_ERR: Raised if the new value has a syntax error and is unparsable.

NO_MODIFICATION_ALLOWED_ERR: Raised if this property is readonly.

borderBottom of type DOMString [p.21]
See the *border-bottom property definition* in CSS2.

Exceptions on setting

DOMException [p.24] SYNTAX_ERR: Raised if the new value has a syntax error and is unparseable.

NO_MODIFICATION_ALLOWED_ERR: Raised if this property is readonly.

borderBottomColor of type DOMString [p.21]

See the *border-bottom-color property definition* in CSS2.

Exceptions on setting

DOMException [p.24] SYNTAX_ERR: Raised if the new value has a syntax error and is unparseable.

NO_MODIFICATION_ALLOWED_ERR: Raised if this property is readonly.

borderBottomStyle of type DOMString [p.21]

See the *border-bottom-style property definition* in CSS2.

Exceptions on setting

DOMException [p.24] SYNTAX_ERR: Raised if the new value has a syntax error and is unparseable.

NO_MODIFICATION_ALLOWED_ERR: Raised if this property is readonly.

borderBottomWidth of type DOMString [p.21]

See the *border-bottom-width property definition* in CSS2.

Exceptions on setting

DOMException [p.24] SYNTAX_ERR: Raised if the new value has a syntax error and is unparseable.

NO_MODIFICATION_ALLOWED_ERR: Raised if this property is readonly.

borderCollapse of type DOMString [p.21]

See the *border-collapse property definition* in CSS2.

Exceptions on setting

DOMException [p.24] SYNTAX_ERR: Raised if the new value has a syntax error and is unparseable.

NO_MODIFICATION_ALLOWED_ERR: Raised if this property is readonly.

borderColor of type DOMString [p.21]
See the *border-color property definition* in CSS2.

Exceptions on setting

DOMException [p.24] SYNTAX_ERR: Raised if the new value has a syntax error and is unparseable.

NO_MODIFICATION_ALLOWED_ERR: Raised if this property is readonly.

borderLeft of type DOMString [p.21]
See the *border-left property definition* in CSS2.

Exceptions on setting

DOMException [p.24] SYNTAX_ERR: Raised if the new value has a syntax error and is unparseable.

NO_MODIFICATION_ALLOWED_ERR: Raised if this property is readonly.

borderLeftColor of type DOMString [p.21]
See the *border-left-color property definition* in CSS2.

Exceptions on setting

DOMException [p.24] SYNTAX_ERR: Raised if the new value has a syntax error and is unparseable.

NO_MODIFICATION_ALLOWED_ERR: Raised if this property is readonly.

borderLeftStyle of type DOMString [p.21]
See the *border-left-style property definition* in CSS2.

Exceptions on setting

DOMException [p.24] SYNTAX_ERR: Raised if the new value has a syntax error and is unparsable.

NO_MODIFICATION_ALLOWED_ERR: Raised if this property is readonly.

borderLeftWidth of type DOMString [p.21]

See the *border-left-width property definition* in CSS2.

Exceptions on setting

DOMException [p.24] SYNTAX_ERR: Raised if the new value has a syntax error and is unparsable.

NO_MODIFICATION_ALLOWED_ERR: Raised if this property is readonly.

borderRight of type DOMString [p.21]

See the *border-right property definition* in CSS2.

Exceptions on setting

DOMException [p.24] SYNTAX_ERR: Raised if the new value has a syntax error and is unparsable.

NO_MODIFICATION_ALLOWED_ERR: Raised if this property is readonly.

borderRightColor of type DOMString [p.21]

See the *border-right-color property definition* in CSS2.

Exceptions on setting

DOMException [p.24] SYNTAX_ERR: Raised if the new value has a syntax error and is unparsable.

NO_MODIFICATION_ALLOWED_ERR: Raised if this property is readonly.

borderRightStyle of type DOMString [p.21]

See the *border-right-style property definition* in CSS2.

Exceptions on setting

DOMException [p.24] SYNTAX_ERR: Raised if the new value has a syntax error and is unparsable.

NO_MODIFICATION_ALLOWED_ERR: Raised if this property is readonly.

borderRightWidth of type DOMString [p.21]
See the *border-right-width property definition* in CSS2.

Exceptions on setting

DOMException [p.24] SYNTAX_ERR: Raised if the new value has a syntax error and is unparsable.

NO_MODIFICATION_ALLOWED_ERR: Raised if this property is readonly.

borderSpacing of type DOMString [p.21]
See the *border-spacing property definition* in CSS2.

Exceptions on setting

DOMException [p.24] SYNTAX_ERR: Raised if the new value has a syntax error and is unparsable.

NO_MODIFICATION_ALLOWED_ERR: Raised if this property is readonly.

borderStyle of type DOMString [p.21]
See the *border-style property definition* in CSS2.

Exceptions on setting

DOMException [p.24] SYNTAX_ERR: Raised if the new value has a syntax error and is unparsable.

NO_MODIFICATION_ALLOWED_ERR: Raised if this property is readonly.

borderTop of type DOMString [p.21]
See the *border-top property definition* in CSS2.

Exceptions on setting

DOMException [p.24] SYNTAX_ERR: Raised if the new value has a syntax error and is unparsable.

NO_MODIFICATION_ALLOWED_ERR: Raised if this property is readonly.

borderTopColor of type DOMString [p.21]

See the *border-top-color property definition* in CSS2.

Exceptions on setting

DOMException [p.24] SYNTAX_ERR: Raised if the new value has a syntax error and is unparsable.

NO_MODIFICATION_ALLOWED_ERR: Raised if this property is readonly.

borderTopStyle of type DOMString [p.21]

See the *border-top-style property definition* in CSS2.

Exceptions on setting

DOMException [p.24] SYNTAX_ERR: Raised if the new value has a syntax error and is unparsable.

NO_MODIFICATION_ALLOWED_ERR: Raised if this property is readonly.

borderTopWidth of type DOMString [p.21]

See the *border-top-width property definition* in CSS2.

Exceptions on setting

DOMException [p.24] SYNTAX_ERR: Raised if the new value has a syntax error and is unparsable.

NO_MODIFICATION_ALLOWED_ERR: Raised if this property is readonly.

borderWidth of type DOMString [p.21]

See the *border-width property definition* in CSS2.

Exceptions on setting

DOMException [p.24] SYNTAX_ERR: Raised if the new value has a syntax error and is unparseable.

NO_MODIFICATION_ALLOWED_ERR: Raised if this property is readonly.

bottom of type DOMString [p.21]

See the *bottom property definition* in CSS2.

Exceptions on setting

DOMException [p.24] SYNTAX_ERR: Raised if the new value has a syntax error and is unparseable.

NO_MODIFICATION_ALLOWED_ERR: Raised if this property is readonly.

captionSide of type DOMString [p.21]

See the *caption-side property definition* in CSS2.

Exceptions on setting

DOMException [p.24] SYNTAX_ERR: Raised if the new value has a syntax error and is unparseable.

NO_MODIFICATION_ALLOWED_ERR: Raised if this property is readonly.

clear of type DOMString [p.21]

See the *clear property definition* in CSS2.

Exceptions on setting

DOMException [p.24] SYNTAX_ERR: Raised if the new value has a syntax error and is unparseable.

NO_MODIFICATION_ALLOWED_ERR: Raised if this property is readonly.

clip of type DOMString [p.21]

See the *clip property definition* in CSS2.

Exceptions on setting

DOMException [p.24] SYNTAX_ERR: Raised if the new value has a syntax error and is unparseable.

NO_MODIFICATION_ALLOWED_ERR: Raised if this property is readonly.

color of type DOMString [p.21]
See the *color property definition* in CSS2.

Exceptions on setting

DOMException [p.24] SYNTAX_ERR: Raised if the new value has a syntax error and is unparseable.

NO_MODIFICATION_ALLOWED_ERR: Raised if this property is readonly.

content of type DOMString [p.21]
See the *content property definition* in CSS2.

Exceptions on setting

DOMException [p.24] SYNTAX_ERR: Raised if the new value has a syntax error and is unparseable.

NO_MODIFICATION_ALLOWED_ERR: Raised if this property is readonly.

counterIncrement of type DOMString [p.21]
See the *counter-increment property definition* in CSS2.

Exceptions on setting

DOMException [p.24] SYNTAX_ERR: Raised if the new value has a syntax error and is unparseable.

NO_MODIFICATION_ALLOWED_ERR: Raised if this property is readonly.

counterReset of type DOMString [p.21]
See the *counter-reset property definition* in CSS2.

Exceptions on setting

DOMException [p.24] SYNTAX_ERR: Raised if the new value has a syntax error and is unparsable.

NO_MODIFICATION_ALLOWED_ERR: Raised if this property is readonly.

cssFloat of type DOMString [p.21]

See the *float property definition* in CSS2.

Exceptions on setting

DOMException [p.24] SYNTAX_ERR: Raised if the new value has a syntax error and is unparsable.

NO_MODIFICATION_ALLOWED_ERR: Raised if this property is readonly.

cue of type DOMString [p.21]

See the *cue property definition* in CSS2.

Exceptions on setting

DOMException [p.24] SYNTAX_ERR: Raised if the new value has a syntax error and is unparsable.

NO_MODIFICATION_ALLOWED_ERR: Raised if this property is readonly.

cueAfter of type DOMString [p.21]

See the *cue-after property definition* in CSS2.

Exceptions on setting

DOMException [p.24] SYNTAX_ERR: Raised if the new value has a syntax error and is unparsable.

NO_MODIFICATION_ALLOWED_ERR: Raised if this property is readonly.

cueBefore of type DOMString [p.21]

See the *cue-before property definition* in CSS2.

Exceptions on setting

DOMException [p.24] SYNTAX_ERR: Raised if the new value has a syntax error and is unparsable.

NO_MODIFICATION_ALLOWED_ERR: Raised if this property is readonly.

cursor of type DOMString [p.21]
See the *cursor property definition* in CSS2.

Exceptions on setting

DOMException [p.24] SYNTAX_ERR: Raised if the new value has a syntax error and is unparsable.

NO_MODIFICATION_ALLOWED_ERR: Raised if this property is readonly.

direction of type DOMString [p.21]
See the *direction property definition* in CSS2.

Exceptions on setting

DOMException [p.24] SYNTAX_ERR: Raised if the new value has a syntax error and is unparsable.

NO_MODIFICATION_ALLOWED_ERR: Raised if this property is readonly.

display of type DOMString [p.21]
See the *display property definition* in CSS2.

Exceptions on setting

DOMException [p.24] SYNTAX_ERR: Raised if the new value has a syntax error and is unparsable.

NO_MODIFICATION_ALLOWED_ERR: Raised if this property is readonly.

elevation of type DOMString [p.21]
See the *elevation property definition* in CSS2.

Exceptions on setting

DOMException [p.24] SYNTAX_ERR: Raised if the new value has a syntax error and is unparsable.

NO_MODIFICATION_ALLOWED_ERR: Raised if this property is readonly.

emptyCells of type DOMString [p.21]

See the *empty-cells property definition* in CSS2.

Exceptions on setting

DOMException [p.24] SYNTAX_ERR: Raised if the new value has a syntax error and is unparsable.

NO_MODIFICATION_ALLOWED_ERR: Raised if this property is readonly.

font of type DOMString [p.21]

See the *font property definition* in CSS2.

Exceptions on setting

DOMException [p.24] SYNTAX_ERR: Raised if the new value has a syntax error and is unparsable.

NO_MODIFICATION_ALLOWED_ERR: Raised if this property is readonly.

fontFamily of type DOMString [p.21]

See the *font-family property definition* in CSS2.

Exceptions on setting

DOMException [p.24] SYNTAX_ERR: Raised if the new value has a syntax error and is unparsable.

NO_MODIFICATION_ALLOWED_ERR: Raised if this property is readonly.

fontSize of type DOMString [p.21]

See the *font-size property definition* in CSS2.

Exceptions on setting

DOMException [p.24] SYNTAX_ERR: Raised if the new value has a syntax error and is unparsable.

NO_MODIFICATION_ALLOWED_ERR: Raised if this property is readonly.

fontSizeAdjust of type DOMString [p.21]
See the *font-size-adjust property definition* in CSS2.

Exceptions on setting

DOMException [p.24] SYNTAX_ERR: Raised if the new value has a syntax error and is unparsable.

NO_MODIFICATION_ALLOWED_ERR: Raised if this property is readonly.

fontStretch of type DOMString [p.21]
See the *font-stretch property definition* in CSS2.

Exceptions on setting

DOMException [p.24] SYNTAX_ERR: Raised if the new value has a syntax error and is unparsable.

NO_MODIFICATION_ALLOWED_ERR: Raised if this property is readonly.

fontStyle of type DOMString [p.21]
See the *font-style property definition* in CSS2.

Exceptions on setting

DOMException [p.24] SYNTAX_ERR: Raised if the new value has a syntax error and is unparsable.

NO_MODIFICATION_ALLOWED_ERR: Raised if this property is readonly.

fontVariant of type DOMString [p.21]
See the *font-variant property definition* in CSS2.

Exceptions on setting

DOMException [p.24] SYNTAX_ERR: Raised if the new value has a syntax error and is unparsable.

NO_MODIFICATION_ALLOWED_ERR: Raised if this property is readonly.

fontWeight of type DOMString [p.21]

See the *font-weight property definition* in CSS2.

Exceptions on setting

DOMException [p.24] SYNTAX_ERR: Raised if the new value has a syntax error and is unparsable.

NO_MODIFICATION_ALLOWED_ERR: Raised if this property is readonly.

height of type DOMString [p.21]

See the *height property definition* in CSS2.

Exceptions on setting

DOMException [p.24] SYNTAX_ERR: Raised if the new value has a syntax error and is unparsable.

NO_MODIFICATION_ALLOWED_ERR: Raised if this property is readonly.

left of type DOMString [p.21]

See the *left property definition* in CSS2.

Exceptions on setting

DOMException [p.24] SYNTAX_ERR: Raised if the new value has a syntax error and is unparsable.

NO_MODIFICATION_ALLOWED_ERR: Raised if this property is readonly.

letterSpacing of type DOMString [p.21]

See the *letter-spacing property definition* in CSS2.

Exceptions on setting

DOMException [p.24] SYNTAX_ERR: Raised if the new value has a syntax error and is unparsable.

NO_MODIFICATION_ALLOWED_ERR: Raised if this property is readonly.

lineHeight of type DOMString [p.21]

See the *line-height property definition* in CSS2.

Exceptions on setting

DOMException [p.24] SYNTAX_ERR: Raised if the new value has a syntax error and is unparsable.

NO_MODIFICATION_ALLOWED_ERR: Raised if this property is readonly.

listStyle of type DOMString [p.21]

See the *list-style property definition* in CSS2.

Exceptions on setting

DOMException [p.24] SYNTAX_ERR: Raised if the new value has a syntax error and is unparsable.

NO_MODIFICATION_ALLOWED_ERR: Raised if this property is readonly.

listStyleImage of type DOMString [p.21]

See the *list-style-image property definition* in CSS2.

Exceptions on setting

DOMException [p.24] SYNTAX_ERR: Raised if the new value has a syntax error and is unparsable.

NO_MODIFICATION_ALLOWED_ERR: Raised if this property is readonly.

listStylePosition of type DOMString [p.21]

See the *list-style-position property definition* in CSS2.

Exceptions on setting

DOMException [p.24] SYNTAX_ERR: Raised if the new value has a syntax error and is unparsable.

NO_MODIFICATION_ALLOWED_ERR: Raised if this property is readonly.

listStyleType of type DOMString [p.21]
See the *list-style-type property definition* in CSS2.

Exceptions on setting

DOMException [p.24] SYNTAX_ERR: Raised if the new value has a syntax error and is unparsable.

NO_MODIFICATION_ALLOWED_ERR: Raised if this property is readonly.

margin of type DOMString [p.21]
See the *margin property definition* in CSS2.

Exceptions on setting

DOMException [p.24] SYNTAX_ERR: Raised if the new value has a syntax error and is unparsable.

NO_MODIFICATION_ALLOWED_ERR: Raised if this property is readonly.

marginBottom of type DOMString [p.21]
See the *margin-bottom property definition* in CSS2.

Exceptions on setting

DOMException [p.24] SYNTAX_ERR: Raised if the new value has a syntax error and is unparsable.

NO_MODIFICATION_ALLOWED_ERR: Raised if this property is readonly.

marginLeft of type DOMString [p.21]
See the *margin-left property definition* in CSS2.

Exceptions on setting

DOMException [p.24] SYNTAX_ERR: Raised if the new value has a syntax error and is unparsable.

NO_MODIFICATION_ALLOWED_ERR: Raised if this property is readonly.

marginRight of type DOMString [p.21]
See the *margin-right property definition* in CSS2.

Exceptions on setting

DOMException [p.24] SYNTAX_ERR: Raised if the new value has a syntax error and is unparsable.

NO_MODIFICATION_ALLOWED_ERR: Raised if this property is readonly.

marginTop of type DOMString [p.21]
See the *margin-top property definition* in CSS2.

Exceptions on setting

DOMException [p.24] SYNTAX_ERR: Raised if the new value has a syntax error and is unparsable.

NO_MODIFICATION_ALLOWED_ERR: Raised if this property is readonly.

markerOffset of type DOMString [p.21]
See the *marker-offset property definition* in CSS2.

Exceptions on setting

DOMException [p.24] SYNTAX_ERR: Raised if the new value has a syntax error and is unparsable.

NO_MODIFICATION_ALLOWED_ERR: Raised if this property is readonly.

marks of type DOMString [p.21]
See the *marks property definition* in CSS2.

Exceptions on setting

DOMException [p.24] SYNTAX_ERR: Raised if the new value has a syntax error and is unparsable.

NO_MODIFICATION_ALLOWED_ERR: Raised if this property is readonly.

maxHeight of type DOMString [p.21]
See the *max-height property definition* in CSS2.

Exceptions on setting

DOMException [p.24] SYNTAX_ERR: Raised if the new value has a syntax error and is unparsable.

NO_MODIFICATION_ALLOWED_ERR: Raised if this property is readonly.

maxWidth of type DOMString [p.21]
See the *max-width property definition* in CSS2.

Exceptions on setting

DOMException [p.24] SYNTAX_ERR: Raised if the new value has a syntax error and is unparsable.

NO_MODIFICATION_ALLOWED_ERR: Raised if this property is readonly.

minHeight of type DOMString [p.21]
See the *min-height property definition* in CSS2.

Exceptions on setting

DOMException [p.24] SYNTAX_ERR: Raised if the new value has a syntax error and is unparsable.

NO_MODIFICATION_ALLOWED_ERR: Raised if this property is readonly.

minWidth of type DOMString [p.21]
See the *min-width property definition* in CSS2.

Exceptions on setting

DOMException [p.24]	SYNTAX_ERR: Raised if the new value has a syntax error and is unparsable.
	NO_MODIFICATION_ALLOWED_ERR: Raised if this property is readonly.

orphans of type DOMString [p.21]
See the *orphans property definition* in CSS2.

Exceptions on setting

DOMException [p.24]	SYNTAX_ERR: Raised if the new value has a syntax error and is unparsable.
	NO_MODIFICATION_ALLOWED_ERR: Raised if this property is readonly.

outline of type DOMString [p.21]
See the *outline property definition* in CSS2.

Exceptions on setting

DOMException [p.24]	SYNTAX_ERR: Raised if the new value has a syntax error and is unparsable.
	NO_MODIFICATION_ALLOWED_ERR: Raised if this property is readonly.

outlineColor of type DOMString [p.21]
See the *outline-color property definition* in CSS2.

Exceptions on setting

DOMException [p.24]	SYNTAX_ERR: Raised if the new value has a syntax error and is unparsable.
	NO_MODIFICATION_ALLOWED_ERR: Raised if this property is readonly.

outlineStyle of type DOMString [p.21]
See the *outline-style property definition* in CSS2.

Exceptions on setting

DOMException [p.24] SYNTAX_ERR: Raised if the new value has a syntax error and is unparsable.

NO_MODIFICATION_ALLOWED_ERR: Raised if this property is readonly.

outlineWidth of type DOMString [p.21]
See the *outline-width property definition* in CSS2.

Exceptions on setting

DOMException [p.24] SYNTAX_ERR: Raised if the new value has a syntax error and is unparsable.

NO_MODIFICATION_ALLOWED_ERR: Raised if this property is readonly.

overflow of type DOMString [p.21]
See the *overflow property definition* in CSS2.

Exceptions on setting

DOMException [p.24] SYNTAX_ERR: Raised if the new value has a syntax error and is unparsable.

NO_MODIFICATION_ALLOWED_ERR: Raised if this property is readonly.

padding of type DOMString [p.21]
See the *padding property definition* in CSS2.

Exceptions on setting

DOMException [p.24] SYNTAX_ERR: Raised if the new value has a syntax error and is unparsable.

NO_MODIFICATION_ALLOWED_ERR: Raised if this property is readonly.

paddingBottom of type DOMString [p.21]
See the *padding-bottom property definition* in CSS2.

Exceptions on setting

DOMException [p.24] SYNTAX_ERR: Raised if the new value has a syntax error and is unparsable.

NO_MODIFICATION_ALLOWED_ERR: Raised if this property is readonly.

paddingLeft of type DOMString [p.21]
See the *padding-left property definition* in CSS2.

Exceptions on setting

DOMException [p.24] SYNTAX_ERR: Raised if the new value has a syntax error and is unparsable.

NO_MODIFICATION_ALLOWED_ERR: Raised if this property is readonly.

paddingRight of type DOMString [p.21]
See the *padding-right property definition* in CSS2.

Exceptions on setting

DOMException [p.24] SYNTAX_ERR: Raised if the new value has a syntax error and is unparsable.

NO_MODIFICATION_ALLOWED_ERR: Raised if this property is readonly.

paddingTop of type DOMString [p.21]
See the *padding-top property definition* in CSS2.

Exceptions on setting

DOMException [p.24] SYNTAX_ERR: Raised if the new value has a syntax error and is unparsable.

NO_MODIFICATION_ALLOWED_ERR: Raised if this property is readonly.

page of type DOMString [p.21]
See the *page property definition* in CSS2.

Exceptions on setting

DOMException [p.24] SYNTAX_ERR: Raised if the new value has a syntax error and is unparseable.

NO_MODIFICATION_ALLOWED_ERR: Raised if this property is readonly.

pageBreakAfter of type DOMString [p.21]
See the *page-break-after property definition* in CSS2.

Exceptions on setting

DOMException [p.24] SYNTAX_ERR: Raised if the new value has a syntax error and is unparseable.

NO_MODIFICATION_ALLOWED_ERR: Raised if this property is readonly.

pageBreakBefore of type DOMString [p.21]
See the *page-break-before property definition* in CSS2.

Exceptions on setting

DOMException [p.24] SYNTAX_ERR: Raised if the new value has a syntax error and is unparseable.

NO_MODIFICATION_ALLOWED_ERR: Raised if this property is readonly.

pageBreakInside of type DOMString [p.21]
See the *page-break-inside property definition* in CSS2.

Exceptions on setting

DOMException [p.24] SYNTAX_ERR: Raised if the new value has a syntax error and is unparseable.

NO_MODIFICATION_ALLOWED_ERR: Raised if this property is readonly.

pause of type DOMString [p.21]
See the *pause property definition* in CSS2.

Exceptions on setting

DOMException [p.24] SYNTAX_ERR: Raised if the new value has a syntax error and is unparsable.

NO_MODIFICATION_ALLOWED_ERR: Raised if this property is readonly.

pauseAfter of type DOMString [p.21]

See the *pause-after property definition* in CSS2.

Exceptions on setting

DOMException [p.24] SYNTAX_ERR: Raised if the new value has a syntax error and is unparsable.

NO_MODIFICATION_ALLOWED_ERR: Raised if this property is readonly.

pauseBefore of type DOMString [p.21]

See the *pause-before property definition* in CSS2.

Exceptions on setting

DOMException [p.24] SYNTAX_ERR: Raised if the new value has a syntax error and is unparsable.

NO_MODIFICATION_ALLOWED_ERR: Raised if this property is readonly.

pitch of type DOMString [p.21]

See the *pitch property definition* in CSS2.

Exceptions on setting

DOMException [p.24] SYNTAX_ERR: Raised if the new value has a syntax error and is unparsable.

NO_MODIFICATION_ALLOWED_ERR: Raised if this property is readonly.

pitchRange of type DOMString [p.21]

See the *pitch-range property definition* in CSS2.

Exceptions on setting

DOMException [p.24] SYNTAX_ERR: Raised if the new value has a syntax error and is unparsable.

NO_MODIFICATION_ALLOWED_ERR: Raised if this property is readonly.

playDuring of type DOMString [p.21]

See the *play-during property definition* in CSS2.

Exceptions on setting

DOMException [p.24] SYNTAX_ERR: Raised if the new value has a syntax error and is unparsable.

NO_MODIFICATION_ALLOWED_ERR: Raised if this property is readonly.

position of type DOMString [p.21]

See the *position property definition* in CSS2.

Exceptions on setting

DOMException [p.24] SYNTAX_ERR: Raised if the new value has a syntax error and is unparsable.

NO_MODIFICATION_ALLOWED_ERR: Raised if this property is readonly.

quotes of type DOMString [p.21]

See the *quotes property definition* in CSS2.

Exceptions on setting

DOMException [p.24] SYNTAX_ERR: Raised if the new value has a syntax error and is unparsable.

NO_MODIFICATION_ALLOWED_ERR: Raised if this property is readonly.

richness of type DOMString [p.21]

See the *richness property definition* in CSS2.

Exceptions on setting

DOMException [p.24] SYNTAX_ERR: Raised if the new value has a syntax error and is unparsable.

NO_MODIFICATION_ALLOWED_ERR: Raised if this property is readonly.

right of type DOMString [p.21]

See the *right property definition* in CSS2.

Exceptions on setting

DOMException [p.24] SYNTAX_ERR: Raised if the new value has a syntax error and is unparsable.

NO_MODIFICATION_ALLOWED_ERR: Raised if this property is readonly.

size of type DOMString [p.21]

See the *size property definition* in CSS2.

Exceptions on setting

DOMException [p.24] SYNTAX_ERR: Raised if the new value has a syntax error and is unparsable.

NO_MODIFICATION_ALLOWED_ERR: Raised if this property is readonly.

speak of type DOMString [p.21]

See the *speak property definition* in CSS2.

Exceptions on setting

DOMException [p.24] SYNTAX_ERR: Raised if the new value has a syntax error and is unparsable.

NO_MODIFICATION_ALLOWED_ERR: Raised if this property is readonly.

speakHeader of type DOMString [p.21]

See the *speak-header property definition* in CSS2.

Exceptions on setting

DOMException [p.24] SYNTAX_ERR: Raised if the new value has a syntax error and is unparsable.

NO_MODIFICATION_ALLOWED_ERR: Raised if this property is readonly.

speakNumeral of type DOMString [p.21]

See the *speak-numeral property definition* in CSS2.

Exceptions on setting

DOMException [p.24] SYNTAX_ERR: Raised if the new value has a syntax error and is unparsable.

NO_MODIFICATION_ALLOWED_ERR: Raised if this property is readonly.

speakPunctuation of type DOMString [p.21]

See the *speak-punctuation property definition* in CSS2.

Exceptions on setting

DOMException [p.24] SYNTAX_ERR: Raised if the new value has a syntax error and is unparsable.

NO_MODIFICATION_ALLOWED_ERR: Raised if this property is readonly.

speechRate of type DOMString [p.21]

See the *speech-rate property definition* in CSS2.

Exceptions on setting

DOMException [p.24] SYNTAX_ERR: Raised if the new value has a syntax error and is unparsable.

NO_MODIFICATION_ALLOWED_ERR: Raised if this property is readonly.

stress of type DOMString [p.21]

See the *stress property definition* in CSS2.

Exceptions on setting

DOMException [p.24]	SYNTAX_ERR: Raised if the new value has a syntax error and is unparsable.
	NO_MODIFICATION_ALLOWED_ERR: Raised if this property is readonly.

tableLayout of type DOMString [p.21]
See the *table-layout property definition* in CSS2.
Exceptions on setting

DOMException [p.24]	SYNTAX_ERR: Raised if the new value has a syntax error and is unparsable.
	NO_MODIFICATION_ALLOWED_ERR: Raised if this property is readonly.

textAlign of type DOMString [p.21]
See the *text-align property definition* in CSS2.
Exceptions on setting

DOMException [p.24]	SYNTAX_ERR: Raised if the new value has a syntax error and is unparsable.
	NO_MODIFICATION_ALLOWED_ERR: Raised if this property is readonly.

textDecoration of type DOMString [p.21]
See the *text-decoration property definition* in CSS2.
Exceptions on setting

DOMException [p.24]	SYNTAX_ERR: Raised if the new value has a syntax error and is unparsable.
	NO_MODIFICATION_ALLOWED_ERR: Raised if this property is readonly.

textIndent of type DOMString [p.21]
See the *text-indent property definition* in CSS2.
Exceptions on setting

DOMException [p.24] SYNTAX_ERR: Raised if the new value has a syntax error and is unparsable.

NO_MODIFICATION_ALLOWED_ERR: Raised if this property is readonly.

textShadow of type DOMString [p.21]

See the *text-shadow property definition* in CSS2.

Exceptions on setting

DOMException [p.24] SYNTAX_ERR: Raised if the new value has a syntax error and is unparsable.

NO_MODIFICATION_ALLOWED_ERR: Raised if this property is readonly.

textTransform of type DOMString [p.21]

See the *text-transform property definition* in CSS2.

Exceptions on setting

DOMException [p.24] SYNTAX_ERR: Raised if the new value has a syntax error and is unparsable.

NO_MODIFICATION_ALLOWED_ERR: Raised if this property is readonly.

top of type DOMString [p.21]

See the *top property definition* in CSS2.

Exceptions on setting

DOMException [p.24] SYNTAX_ERR: Raised if the new value has a syntax error and is unparsable.

NO_MODIFICATION_ALLOWED_ERR: Raised if this property is readonly.

unicodeBidi of type DOMString [p.21]

See the *unicode-bidi property definition* in CSS2.

Exceptions on setting

DOMException [p.24]	SYNTAX_ERR: Raised if the new value has a syntax error and is unparsable.
	NO_MODIFICATION_ALLOWED_ERR: Raised if this property is readonly.

verticalAlign of type DOMString [p.21]
See the *vertical-align property definition* in CSS2.
Exceptions on setting

DOMException [p.24]	SYNTAX_ERR: Raised if the new value has a syntax error and is unparsable.
	NO_MODIFICATION_ALLOWED_ERR: Raised if this property is readonly.

visibility of type DOMString [p.21]
See the *visibility property definition* in CSS2.
Exceptions on setting

DOMException [p.24]	SYNTAX_ERR: Raised if the new value has a syntax error and is unparsable.
	NO_MODIFICATION_ALLOWED_ERR: Raised if this property is readonly.

voiceFamily of type DOMString [p.21]
See the *voice-family property definition* in CSS2.
Exceptions on setting

DOMException [p.24]	SYNTAX_ERR: Raised if the new value has a syntax error and is unparsable.
	NO_MODIFICATION_ALLOWED_ERR: Raised if this property is readonly.

volume of type DOMString [p.21]
See the *volume property definition* in CSS2.
Exceptions on setting

DOMException [p.24] SYNTAX_ERR: Raised if the new value has a syntax error and is unparsable.

NO_MODIFICATION_ALLOWED_ERR: Raised if this property is readonly.

whiteSpace of type DOMString [p.21]

See the *white-space property definition* in CSS2.

Exceptions on setting

DOMException [p.24] SYNTAX_ERR: Raised if the new value has a syntax error and is unparsable.

NO_MODIFICATION_ALLOWED_ERR: Raised if this property is readonly.

widows of type DOMString [p.21]

See the *widows property definition* in CSS2.

Exceptions on setting

DOMException [p.24] SYNTAX_ERR: Raised if the new value has a syntax error and is unparsable.

NO_MODIFICATION_ALLOWED_ERR: Raised if this property is readonly.

width of type DOMString [p.21]

See the *width property definition* in CSS2.

Exceptions on setting

DOMException [p.24] SYNTAX_ERR: Raised if the new value has a syntax error and is unparsable.

NO_MODIFICATION_ALLOWED_ERR: Raised if this property is readonly.

wordSpacing of type DOMString [p.21]

See the *word-spacing property definition* in CSS2.

Exceptions on setting

DOMException
[p.24]

SYNTAX_ERR: Raised if the new value has a syntax error and is unparsable.

NO_MODIFICATION_ALLOWED_ERR: Raised if this property is readonly.

zIndex of type DOMString [p.21]

See the *z-index property definition* in CSS2.

Exceptions on setting

DOMException
[p.24]

SYNTAX_ERR: Raised if the new value has a syntax error and is unparsable.

NO_MODIFICATION_ALLOWED_ERR: Raised if this property is readonly.

6. Document Object Model Events

Editors

Tom Pixley, Netscape Communications Corporation

6.1. Overview of the DOM Level 2 Event Model

The DOM Level 2 Event Model is designed with two main goals. The first goal is the design of a generic event system which allows registration of event handlers, describes event flow through a tree structure, and provides basic contextual information for each event. Additionally, the specification will provide standard sets of events for user interface control and document mutation notifications, including defined contextual information for each of these event sets.

The second goal of the event model is to provide a common subset of the current event systems used in *DOM Level 0* [p.450] browsers. This is intended to foster interoperability of existing scripts and content. It is not expected that this goal will be met with full backwards compatibility. However, the specification attempts to achieve this when possible.

The following sections of the Event Model specification define both the specification for the DOM Event Model and a number of compliant event sets designed for use within the model. The Event Model consists of the two sections on event propagation and event listener registration and the Event interface. A DOM consumer can use the `hasFeature` of the `DOMImplementation` [p.26] interface to determine whether the Event Model has been implemented by a DOM implementation. The feature string for the Event Model is "Events". The existence within an implementation of each of the individual event sets can also be queried using the `hasFeature` method. Each event set describes its own feature string in the event set listing.

6.1.1. Terminology

UI events

User interface events. These events are generated by user interaction through an external device (mouse, keyboard, etc.)

UI Logical events

Device independent user interface events such as focus change messages or element triggering notifications.

Mutation events

Events caused by any action which modifies the structure of the document.

Capturing

The process by which an event can be handled by one of the event's target's ancestors before being handled by the event's target.

Bubbling

The process by which an event propagates upward through its ancestors after being handled by the event's target.

Cancelable

A designation for events which indicates that upon handling the event the client may choose to prevent the DOM implementation from processing any default action associated with the event.

6.2. Description of event flow

Event flow is the process through which the an event originates from the DOM implementation and is passed into the Document Object Model. The methods of event capture and event bubbling, along with various event listener registration techniques, allow the event to then be handled in a number of ways. It can be handled locally at the `EventTarget` level or centrally from an `EventTarget` [p.224] higher in the document tree.

6.2.1. Basic event flow

Each event has an `EventTarget` [p.224] toward which the event is directed by the DOM implementation. This `EventTarget` is specified in the `Event` [p.227] 's `target` attribute. When the event reaches the target, any event listeners registered on the `EventTarget` are triggered. Although all `EventListeners` [p.226] on the `EventTarget` are guaranteed to be triggered by any event which is received by that `EventTarget`, no specification is made as to the order in which they will receive the event with regards to the other `EventListeners` [p.226] on the `EventTarget`. If neither event capture or event bubbling are in use for that particular event, the event flow process will complete after all listeners have been triggered. If event capture or event bubbling is in use, the event flow will be modified as described in the sections below.

Any exceptions thrown inside an `EventListener` [p.226] will not stop propagation of the event. It will continue processing any additional `EventListener` in the described manner.

It is expected that actions taken by `EventListener` [p.226] s may cause additional events to fire. Additional events should be handled in a synchronous manner and may cause reentrancy into the event model.

6.2.2. Event capture

Event capture is the process by which an `EventListener` registered on an ancestor of the event's target can intercept events of a given type before they are received by the event's target. Capture operates from the top of the tree, generally the `Document` [p.29] , downward, making it the symmetrical opposite of bubbling which is described below. The chain of `EventTarget` [p.224] s from the top of the tree to the event's target is determined before the initial dispatch of the event. If modifications occur to the tree during event processing, event flow will proceed based on the initial state of the tree.

An `EventListener` [p.226] being registered on an `EventTarget` [p.224] may choose to have that `EventListener` capture events by specifying the `useCapture` parameter of the `addEventListener` method to be `true`. Thereafter, when an event of the given type is dispatched toward a descendant of the capturing object, the event will trigger any capturing event listeners of the appropriate type which exist in the direct line between the top of the document and the event's target. This downward propagation continues until the event's target is reached. A capturing `EventListener` will not be triggered by events dispatched directly to the `EventTarget` upon which it is registered.

If the capturing `EventListener` [p.226] wishes to prevent further processing of the event from occurring it may call the `stopPropagation` method of the `Event` [p.227] interface. This will prevent further dispatch of the event, although additional `EventListeners` registered at the same hierarchy level will still receive the event. Once an event's `stopPropagation` method has been called, further calls to that method have no additional effect. If no additional capturers exist and `stopPropagation` has not been called, the event triggers the appropriate `EventListeners` on the target itself.

Although event capture is similar to the delegation based event model in which all interested parties register their listeners directly on the target about which they wish to receive notifications, it is different in two important respects. First, event capture only allows interception of events which are targeted at descendants of the capturing `EventTarget` [p.224]. It does not allow interception of events targeted to the capturer's ancestors, its siblings, or its sibling's descendants. Secondly, event capture is not specified for a single `EventTarget`, it is specified for a specific type of event. Once specified, event capture intercepts all events of the specified type targeted toward any of the capturer's descendants.

6.2.3. Event bubbling

Events which are designated as bubbling will initially proceed with the same event flow as non-bubbling events. The event is dispatched to its target `EventTarget` [p.224] and any event listeners found there are triggered. Bubbling events will then trigger any additional event listeners found by following the `EventTarget`'s parent chain upward, checking for any event listeners registered on each successive `EventTarget`. This upward propagation will continue up to and including the `Document` [p.29]. `EventListener` [p.226]s registered as capturers will not be triggered during this phase. The chain of `EventTargets` from the event target to the top of the tree is determined before the initial dispatch of the event. If modifications occur to the tree during event processing, event flow will proceed based on the initial state of the tree.

Any event handler may choose to prevent further event propagation by calling the `stopPropagation` method of the `Event` [p.227] interface. If any `EventListener` [p.226] calls this method, all additional `EventListeners` on the current `EventTarget` [p.224] will be triggered but bubbling will cease at that level. Only one call to `stopPropagation` is required to prevent further bubbling.

6.2.4. Event cancelation

Some events are specified as cancelable. For these events, the DOM implementation generally has a default action associated with the event. An example of this is a hyperlink in a web browser. When the user clicks on the hyperlink the default action is generally to activate that hyperlink. Before processing these events, the implementation must check for event listeners registered to receive the event and dispatch the event to those listeners. These listeners then have the option of canceling the implementation's default action or allowing the default action to proceed. In the case of the hyperlink in the browser, canceling the action would have the result of not activating the hyperlink.

Cancelation is accomplished by calling the `Event` [p.227]'s `preventDefault` method. If one or more `EventListeners` [p.226] call `preventDefault` during any phase of event flow the default action will be canceled.

Different implementations will specify their own default actions, if any, associated with each event. The DOM does not attempt to specify these actions.

6.3. Event listener registration

6.3.1. Event registration interfaces

Interface *EventTarget* (introduced in **DOM Level 2**)

The `EventTarget` interface is implemented by all `Nodes` [p.39] in an implementation which supports the DOM Event Model. The interface allows registration and removal of `EventListeners` [p.226] on an `EventTarget` and dispatch of events to that `EventTarget`.

IDL Definition

```
// Introduced in DOM Level 2:
interface EventTarget {
    void                addEventListener(in DOMString type,
                                        in EventListener listener,
                                        in boolean useCapture);

    void                removeEventListener(in DOMString type,
                                        in EventListener listener,
                                        in boolean useCapture);

    boolean            dispatchEvent(in Event evt)
                                raises(EventException);
};
```

Methods

`addEventListener`

This method allows the registration of event listeners on the event target. If an `EventListener` [p.226] is added to an `EventTarget` while it is processing an event, it will not be triggered by the current actions but may be triggered during a later stage of event flow, such as the bubbling phase.

If multiple identical `EventListener` [p.226] s are registered on the same `EventTarget` with the same parameters the duplicate instances are discarded. They do not cause the `EventListener` to be called twice and since they are discarded they do not need to be removed with the `removeEventListener` method.

Parameters

DOMString [p.21]	type	The event type for which the user is registering
EventListener [p.226]	listener	The listener parameter takes an interface implemented by the user which contains the methods to be called when the event occurs.
boolean	useCapture	If true, useCapture indicates that the user wishes to initiate capture. After initiating capture, all events of the specified type will be dispatched to the registered EventListener before being dispatched to any EventTargets beneath them in the tree. Events which are bubbling upward through the tree will not trigger an EventListener designated to use capture.

No Return Value
No Exceptions

`dispatchEvent`

This method allows the dispatch of events into the implementations event model. Events dispatched in this manner will have the same capturing and bubbling behavior as events dispatched directly by the implementation. The target of the event is the `EventTarget` on which `dispatchEvent` is called.

Parameters

Event [p.227]	evt	Specifies the event type, behavior, and contextual information to be used in processing the event.
------------------	-----	--

Return Value

boolean The return value of `dispatchEvent` indicates whether any of the listeners which handled the event called `preventDefault`. If `preventDefault` was called the value is false, else the value is true.

Exceptions

`EventException` [p.230] `UNSPECIFIED_EVENT_TYPE_ERR`: Raised if the `Event` [p.227] 's type was not specified by initializing the event before `dispatchEvent` was called. Specification of the `Event`'s type as `null` or an empty string will also trigger this exception.

`removeEventListener`

This method allows the removal of event listeners from the event target. If an `EventListener` [p.226] is removed from an `EventTarget` while it is processing an event, it will still be triggered by the current actions but will not be triggered again during any later stages of event flow, such as bubbling.

Calling `removeEventListener` with arguments which do not identify any currently registered `EventListener` [p.226] on the `EventTarget` has no effect.

Parameters

<code>DOMString</code> [p.21]	<code>type</code>	Specifies the event type of the <code>EventListener</code> [p.226] being removed.
<code>EventListener</code> [p.226]	<code>listener</code>	The <code>EventListener</code> parameter indicates the <code>EventListener</code> to be removed.
<code>boolean</code>	<code>useCapture</code>	Specifies whether the <code>EventListener</code> being removed was registered as a capturing listener or not. If a listener was registered twice, one with capture and one without, each must be removed separately. Removal of a capturing listener does not affect a non-capturing version of the same listener, and vice versa.

No Return Value

No Exceptions

Interface *EventListener* (introduced in **DOM Level 2**)

The `EventListener` interface is the primary method for handling events. Users implement the `EventListener` interface and register their listener on an `EventTarget` [p.224] using the `AddEventListener` method. The users should also remove their `EventListener` from its `EventTarget` after they have completed using the listener.

When a Node [p.39] is copied using the `cloneNode` method the `EventListeners` attached to the source Node are not attached to the copied Node. If the user wishes the same `EventListeners` to be added to the newly created copy the user must add them manually.

IDL Definition

```
// Introduced in DOM Level 2:
interface EventListener {
    void          handleEvent(in Event evt);
};
```

Methods

`handleEvent`

This method is called whenever an event occurs of the type for which the `EventListener` interface was registered.

Parameters

<code>Event</code> [p.227]	<code>evt</code>	The <code>Event</code> contains contextual information about the event. It also contains the <code>stopPropagation</code> and <code>preventDefault</code> methods which are used in determining the event's flow and default action.
-------------------------------	------------------	--

No Return Value

No Exceptions

6.3.2. Interaction with HTML 4.0 event listeners

In HTML 4.0, event listeners were specified as attributes of an element. As such, registration of a second event listener of the same type would replace the first listener. The DOM Event Model allows registration of multiple event listeners on a single Node [p.39] . To achieve this, event listeners are no longer stored as attribute values.

In order to achieve compatibility with HTML 4.0, implementors may view the setting of attributes which represent event handlers as the creation and registration of an `EventListener` on the Node [p.39] . The value of `useCapture` defaults to `false`. This `EventListener` [p.226] behaves in the same manner as any other `EventListeners` which may be registered on the `EventTarget` [p.224] . If the attribute representing the event listener is changed, this may be viewed as the removal of the previously registered `EventListener` and the registration of a new one. No technique is provided to allow HTML 4.0 event listeners access to the context information defined for each event.

6.4. Event interface

Interface *Event* (introduced in DOM Level 2)

The `Event` interface is used to provide contextual information about an event to the handler processing the event. An object which implements the `Event` interface is generally passed as the first parameter to an event handler. More specific context information is passed to event handlers by deriving additional interfaces from `Event` which contain information directly relating to the type of

event they accompany. These derived interfaces are also implemented by the object passed to the event listener.

IDL Definition

```
// Introduced in DOM Level 2:
interface Event {
  // PhaseType
  const unsigned short    CAPTURING_PHASE    = 1;
  const unsigned short    AT_TARGET         = 2;
  const unsigned short    BUBBLING_PHASE    = 3;

  readonly attribute DOMString    type;
  readonly attribute EventTarget  target;
  readonly attribute Node         currentNode;
  readonly attribute unsigned short eventPhase;
  readonly attribute boolean      bubbles;
  readonly attribute boolean      cancelable;
  readonly attribute DOMTimeStamp timeStamp;
  void          stopPropagation();
  void          preventDefault();
  void          initEvent(in DOMString eventTypeArg,
                        in boolean canBubbleArg,
                        in boolean cancelableArg);
};
```

Definition group *PhaseType*

An integer indicating which phase of event flow is being processed.

Defined Constants

AT_TARGET	The event is currently being evaluated at the target node.
BUBBLING_PHASE	The current event phase is the bubbling phase.
CAPTURING_PHASE	The current event phase is the capturing phase.

Attributes

`bubbles` of type `boolean`, `readonly`

Used to indicate whether or not an event is a bubbling event. If the event can bubble the value is true, else the value is false.

`cancelable` of type `boolean`, `readonly`

Used to indicate whether or not an event can have its default action prevented. If the default action can be prevented the value is true, else the value is false.

`currentNode` of type `Node` [p.39], `readonly`

Used to indicate the `Node` [p.39] whose `EventListeners` [p.226] are currently being processed. This is particularly useful during capturing and bubbling.

`eventPhase` of type `unsigned short`, readonly

Used to indicate which phase of event flow is currently being evaluated.

`target` of type `EventTarget` [p.224], readonly

Used to indicate the `EventTarget` [p.224] to which the event was originally dispatched.

`timeStamp` of type `DOMTimeStamp` [p.22], readonly

Used to specify the time (in milliseconds relative to the epoch) at which the event was created. Due to the fact that some systems may not provide this information the value of `timeStamp` may be not available for all events. When not available, a value of 0 will be returned. Examples of epoch time are the time of the system start or 0:0:0 UTC 1st January 1970.

`type` of type `DOMString` [p.21], readonly

The name of the event (case-insensitive). The name must be an *XML name* [p.453].

Methods

`initEvent`

The `initEvent` method is used to initialize the value of an `Event` created through the `DocumentEvent` [p.231] interface. This method may only be called before the `Event` has been dispatched via the `dispatchEvent` method, though it may be called multiple times during that phase if necessary. If called multiple times the final invocation takes precedence. If called from a subclass of `Event` interface only the values specified in the `initEvent` method are modified, all other attributes are left unchanged.

Parameters

<code>DOMString</code> [p.21]	<code>eventTypeArg</code>	Specifies the event type. This type may be any event type currently defined in this specification or a new event type.. The string must be an <i>XML name</i> [p.453]. Any new event type must not begin with any upper, lower, or mixed case version of the string "DOM". This prefix is reserved for future DOM event sets.
<code>boolean</code>	<code>canBubbleArg</code>	Specifies whether or not the event can bubble.
<code>boolean</code>	<code>cancelableArg</code>	Specifies whether or not the event's default action can be prevented.

No Return Value

No Exceptions

preventDefault

If an event is cancelable, the `preventDefault` method is used to signify that the event is to be canceled, meaning any default action normally taken by the implementation as a result of the event will not occur. If, during any stage of event flow, the `preventDefault` method is called the event is canceled. Any default action associated with the event will not occur. Calling this method for a non-cancelable event has no effect. Once `preventDefault` has been called it will remain in effect throughout the remainder of the event's propagation. This method may be used during any stage of event flow.

No Parameters**No Return Value****No Exceptions****stopPropagation**

The `stopPropagation` method is used prevent further propagation of an event during event flow. If this method is called by any `EventListener` [p.226] the event will cease propagating through the tree. The event will complete dispatch to all listeners on the current `EventTarget` [p.224] before event flow stops. This method may be used during any stage of event flow.

No Parameters**No Return Value****No Exceptions****Exception *EventException* introduced in DOM Level 2**

Event operations may throw an `EventException` [p.230] as specified in their method descriptions.

IDL Definition

```
// Introduced in DOM Level 2:
exception EventException {
    unsigned short    code;
};

// EventExceptionCode
const unsigned short    UNSPECIFIED_EVENT_TYPE_ERR    = 0;
```

Definition group *EventExceptionCode*

An integer indicating the type of error generated.

Defined Constants

UNSPECIFIED_EVENT_TYPE_ERR If the `Event` [p.227] 's type was not specified by initializing the event before the method was called. Specification of the `Event`'s type as `null` or an empty string will also trigger this exception.

6.5. DocumentEvent interface

Interface *DocumentEvent* (introduced in DOM Level 2)

The `DocumentEvent` interface provides a mechanism by which the user can create an `Event` of a type supported by the implementation. It is expected that the `DocumentEvent` interface will be implemented on the same object which implements the `Document` [p.29] interface in an implementation which supports the Event model.

IDL Definition

```
// Introduced in DOM Level 2:
interface DocumentEvent {
    Event createEvent(in DOMString eventType)
                                     raises(DOMException);
};
```

Methods

`createEvent`

Parameters

DOMString eventType
[p.21]

The `eventType` parameter specifies the type of `Event` [p.227] interface to be created. If the `Event` interface specified is supported by the implementation this method will return a new `Event` of the interface type requested. If the `Event` is to be dispatched via the `dispatchEvent` method the appropriate event init method must be called after creation in order to initialize the `Event`'s values. As an example, a user wishing to synthesize some kind of `UIEvent` [p.232] would call `createEvent` with the parameter "UIEvents". The `initUIEvent` method could then be called on the newly created `UIEvent` to set the specific type of `UIEvent` to be dispatched and set its context information.

The `createEvent` method is used in creating `Event` [p.227] s when it is either inconvenient or unnecessary for the user to create an `Event` themselves. In cases where the implementation provided `Event` is insufficient, users may supply their own `Event` implementations for use with the `dispatchEvent` method.

Return Value

Event [p.227] The newly created Event

Exceptions

DOMException [p.24] NOT_SUPPORTED_ERR: Raised if the implementation does not support the type of Event [p.227] interface requested

6.6. Event set definitions

The DOM Level 2 Event Model allows a DOM implementation to support multiple sets of events. The model has been designed to allow addition of new event sets as is required. The DOM will not attempt to define all possible events. For purposes of interoperability, the DOM will define a set of user interface events including lower level device dependent events, a set of UI logical events, and a set of document mutation events.

6.6.1. User Interface event types

The User Interface event set is composed of events listed in HTML 4.0 and additional events which are supported in *DOM Level 0* [p.450] browsers.

A DOM consumer can use the `hasFeature` of the `DOMImplementation` [p.26] interface to determine whether the User Interface event set has been implemented by a DOM implementation. The feature string for this event set is "UIEvents". This string is also used with the `createEvent` method.

Interface *UIEvent* (introduced in **DOM Level 2**)

The `UIEvent` interface provides specific contextual information associated with User Interface events.

IDL Definition

```
// Introduced in DOM Level 2:
interface UIEvent : Event {
    readonly attribute views::AbstractView view;
    readonly attribute long detail;
    void initUIEvent(in DOMString typeArg,
                    in boolean canBubbleArg,
                    in boolean cancelableArg,
                    in views::AbstractView viewArg,
                    in long detailArg);
};
```

Attributes

`detail` of type `long`, `readonly`
 Specifies some detail information about the `Event` [p.227], depending on the type of

event.

view of type `views::AbstractView`, readonly

The `view` attribute identifies the `AbstractView` [p.127] from which the event was generated.

Methods

`initUIEvent`

The `initUIEvent` method is used to initialize the value of a `UIEvent` created through the `DocumentEvent` [p.231] interface. This method may only be called before the `UIEvent` has been dispatched via the `dispatchEvent` method, though it may be called multiple times during that phase if necessary. If called multiple times, the final invocation takes precedence.

Parameters

<code>DOMString</code> [p.21]	<code>typeArg</code>	Specifies the event type.
<code>boolean</code>	<code>canBubbleArg</code>	Specifies whether or not the event can bubble.
<code>boolean</code>	<code>cancelableArg</code>	Specifies whether or not the event's default action can be prevented.
<code>views::AbstractView</code>	<code>viewArg</code>	Specifies the Event [p.227]'s <code>AbstractView</code> [p.127].
<code>long</code>	<code>detailArg</code>	Specifies the Event [p.227]'s detail.

No Return Value

No Exceptions

The different types of such events that can occur are:

DOMFocusIn

The `focusin` event occurs when a node receives focus, for instance via a pointing device being moved onto an element or by tabbing navigation to the element. Unlike the HTML event `focus`, `focusin` can be applied to any node, not just FORM controls.

- Bubbles: Yes
- Cancelable: No
- Context Info: None

DOMFocusOut

The `focusout` event occurs when a node loses focus, for instance via a pointing device being moved out of an element or by tabbing navigation out of the element. Unlike the HTML event `blur`, `focusout` can be applied to any node, not just FORM controls.

- Bubbles: Yes
- Cancelable: No
- Context Info: None

DOMActivate

The activate event occurs when an element is activated, for instance, thru a mouse click or a keypress. A numerical argument is provided to give an indication of the type of activation that occurs: 1 for a simple activation (e.g. a simple click or Enter), 2 for hyperactivation (for instance a double click or Shift Enter).

- Bubbles: Yes
- Cancelable: Yes
- Context Info: detail (the numerical value)

6.6.2. Mouse event types

The Mouse event set is composed of events listed in HTML 4.0 and additional events which are supported in *DOM Level 0* [p.450] browsers. This event set is specifically designed for use with mouse input devices.

A DOM consumer can use the `hasFeature` of the `DOMImplementation` [p.26] interface to determine whether the User Interface event set has been implemented by a DOM implementation. The feature string for this event set is "MouseEvents". This string is also used with the `createEvent` method.

Interface *MouseEvent* (introduced in **DOM Level 2**)

The `MouseEvent` interface provides specific contextual information associated with Mouse events.

The `detail` attribute inherited from `UIEvent` [p.232] indicates the number of times a mouse button has been pressed and released over the same screen location during a user action. The attribute value is 1 when the user begins this action and increments by 1 for each full sequence of pressing and releasing. If the user moves the mouse between the mousedown and mouseup the value will be set to 0, indicating that no click is occurring.

In the case of nested elements mouse events are always targeted at the most deeply nested element. Ancestors of the targeted element may use bubbling to obtain notification of mouse events which occur within its descendent elements.

IDL Definition

```
// Introduced in DOM Level 2:
interface MouseEvent : UIEvent {
    readonly attribute long        screenX;
    readonly attribute long        screenY;
    readonly attribute long        clientX;
    readonly attribute long        clientY;
    readonly attribute boolean     ctrlKey;
    readonly attribute boolean     shiftKey;
    readonly attribute boolean     altKey;
    readonly attribute boolean     metaKey;
    readonly attribute unsigned short button;
```

6.6.2. Mouse event types

```
readonly attribute Node          relatedNode;
void          initMouseEvent(in DOMString typeArg,
                             in boolean canBubbleArg,
                             in boolean cancelableArg,
                             in views::AbstractView viewArg,
                             in long detailArg,
                             in long screenXArg,
                             in long screenYArg,
                             in long clientXArg,
                             in long clientYArg,
                             in boolean ctrlKeyArg,
                             in boolean altKeyArg,
                             in boolean shiftKeyArg,
                             in boolean metaKeyArg,
                             in unsigned short buttonArg,
                             in Node relatedNodeArg);
};
```

Attributes

`altKey` of type `boolean`, `readonly`

Used to indicate whether the 'alt' key was depressed during the firing of the event. On some platforms this key may map to an alternative key name.

`button` of type `unsigned short`, `readonly`

During mouse events caused by the depression or release of a mouse button, `button` is used to indicate which mouse button changed state. The values for `button` range from zero to indicate the left button of the mouse, one to indicate the middle button if present, and two to indicate the right button. For mice configured for left handed use in which the button actions are reversed the values are instead read from right to left.

`clientX` of type `long`, `readonly`

The horizontal coordinate at which the event occurred relative to the DOM implementation's client area.

`clientY` of type `long`, `readonly`

The vertical coordinate at which the event occurred relative to the DOM implementation's client area.

`ctrlKey` of type `boolean`, `readonly`

Used to indicate whether the 'ctrl' key was depressed during the firing of the event.

`metaKey` of type `boolean`, `readonly`

Used to indicate whether the 'meta' key was depressed during the firing of the event. On some platforms this key may map to an alternative key name.

`relatedNode` of type `Node` [p.39], `readonly`

Used to identify a secondary node related to a UI event. Currently this attribute is used with the `mouseover` event to indicate the `Node` [p.39] which the pointing device exited and with the `mouseout` event to indicate the `Node` which the pointing device entered.

`screenX` of type `long`, readonly

The horizontal coordinate at which the event occurred relative to the origin of the screen coordinate system.

`screenY` of type `long`, readonly

The vertical coordinate at which the event occurred relative to the origin of the screen coordinate system.

`shiftKey` of type `boolean`, readonly

Used to indicate whether the 'shift' key was depressed during the firing of the event.

Methods

`initMouseEvent`

The `initMouseEvent` method is used to initialize the value of a `MouseEvent` created through the `DocumentEvent` [p.231] interface. This method may only be called before the `MouseEvent` has been dispatched via the `dispatchEvent` method, though it may be called multiple times during that phase if necessary. If called multiple times, the final invocation takes precedence.

Parameters

<code>DOMString</code> [p.21]	<code>typeArg</code>	Specifies the event type.
<code>boolean</code>	<code>canBubbleArg</code>	Specifies whether or not the event can bubble.
<code>boolean</code>	<code>cancelableArg</code>	Specifies whether or not the event's default action can be prevented.
<code>views::AbstractView</code>	<code>viewArg</code>	Specifies the Event [p.227]'s <code>AbstractView</code> [p.127].
<code>long</code>	<code>detailArg</code>	Specifies the Event [p.227]'s mouse click count.
<code>long</code>	<code>screenXArg</code>	Specifies the Event [p.227]'s screen x coordinate
<code>long</code>	<code>screenYArg</code>	Specifies the Event [p.227]'s screen y coordinate

6.6.2. Mouse event types

long	clientXArg	Specifies the Event [p.227] 's client x coordinate
long	clientYArg	Specifies the Event [p.227] 's client y coordinate
boolean	ctrlKeyArg	Specifies whether or not control key was depressed during the Event [p.227] .
boolean	altKeyArg	Specifies whether or not alt key was depressed during the Event [p.227] .
boolean	shiftKeyArg	Specifies whether or not shift key was depressed during the Event [p.227] .
boolean	metaKeyArg	Specifies whether or not meta key was depressed during the Event [p.227] .
unsigned short	buttonArg	Specifies the Event [p.227] 's mouse button.
Node [p.39]	relatedNodeArg	Specifies the Event [p.227] 's related Node.

No Return Value

No Exceptions

The different types of Mouse events that can occur are:

click

The click event occurs when the pointing device button is clicked over an element. A click is defined as a mousedown and mouseup over the same screen location. The sequence of these events is:

```
mousedown  
mouseup  
click
```

If multiple clicks occur at the same screen location, the sequence repeats with the `detail` attribute incrementing with each repetition. This event is valid for most elements.

- Bubbles: Yes
- Cancelable: Yes
- Context Info: screenX, screenY, clientX, clientY, altKey, ctrlKey, shiftKey, metaKey, button, detail

mousedown

The mousedown event occurs when the pointing device button is pressed over an element. This event is valid for most elements.

- Bubbles: Yes
- Cancelable: Yes
- Context Info: screenX, screenY, clientX, clientY, altKey, ctrlKey, shiftKey, metaKey, button, detail

mouseup

The mouseup event occurs when the pointing device button is released over an element. This event is valid for most elements.

- Bubbles: Yes
- Cancelable: Yes
- Context Info: screenX, screenY, clientX, clientY, altKey, ctrlKey, shiftKey, metaKey, button, detail

mouseover

The mouseover event occurs when the pointing device is moved onto an element. This event is valid for most elements.

- Bubbles: Yes
- Cancelable: Yes
- Context Info: screenX, screenY, clientX, clientY, altKey, ctrlKey, shiftKey, metaKey, relatedNode indicates the Node [p.39] the pointing device is exiting.

mousemove

The mousemove event occurs when the pointing device is moved while it is over an element. This event is valid for most elements.

- Bubbles: Yes
- Cancelable: No
- Context Info: screenX, screenY, clientX, clientY, altKey, ctrlKey, shiftKey, metaKey

mouseout

The mouseout event occurs when the pointing device is moved away from an element. This event is valid for most elements..

- Bubbles: Yes
- Cancelable: Yes
- Context Info: screenX, screenY, clientX, clientY, altKey, ctrlKey, shiftKey, metaKey, relatedNode indicates the Node [p.39] the pointing device is entering.

6.6.3. Key events

The DOM Level 2 Event specification does not provide a key event set. An event set designed for use with keyboard input devices will be included in a later version of the DOM specification.

6.6.4. Mutation event types

The mutation event set is designed to allow notification of any changes to the structure of a document, including attr and text modifications. It may be noted that none of the mutation events listed are designated as cancelable. This stems from the fact that it is very difficult to make use of existing DOM interfaces which cause document modifications if any change to the document might or might not take place due to cancelation of the related event. Although this is still a desired capability, it was decided that it would be better left until the addition of transactions into the DOM.

Many single modifications of the tree can cause multiple mutation events to be fired. Rather than attempt to specify the ordering of mutation events due to every possible modification of the tree, the ordering of these events is left to the implementation.

A DOM consumer can use the `hasFeature` of the `DOMImplementation` [p.26] interface to determine whether the mutation event set has been implemented by a DOM implementation. The feature string for this event set is "MutationEvents". This string is also used with the `createEvent` method.

Interface *MutationEvent* (introduced in DOM Level 2)

The `MutationEvent` interface provides specific contextual information associated with Mutation events.

IDL Definition

```
// Introduced in DOM Level 2:
interface MutationEvent : Event {
    readonly attribute Node           relatedNode;
    readonly attribute DOMString      prevValue;
    readonly attribute DOMString      newValue;
    readonly attribute DOMString      attrName;
    void          initMutationEvent(in DOMString typeArg,
                                    in boolean canBubbleArg,
                                    in boolean cancelableArg,
                                    in Node relatedNodeArg,
                                    in DOMString prevValueArg,
                                    in DOMString newValueArg,
                                    in DOMString attrNameArg);
};
```

Attributes

`attrName` of type `DOMString` [p.21] , readonly
`attrName` indicates the name of the changed `Attr` [p.57] node in a `DOMAttrModified` event.

`newValue` of type `DOMString` [p.21] , readonly
`newValue` indicates the new value of the `Attr` [p.57] node in `DOMAttrModified` events, and of the `CharacterData` [p.53] node in `DOMCharDataModified` events.

`prevValue` of type `DOMString` [p.21] , readonly
`prevValue` indicates the previous value of the `Attr` [p.57] node in `DOMAttrModified` events, and of the `CharacterData` [p.53] node in `DOMCharDataModified` events.

`relatedNode` of type `Node` [p.39] , readonly

`relatedNode` is used to identify a secondary node related to a mutation event. For example, if a mutation event is dispatched to a node indicating that its parent has changed, the `relatedNode` is the changed parent. If an event is instead dispatch to a subtree indicating a node was changed within it, the `relatedNode` is the changed node.

Methods

`initMutationEvent`

The `initMutationEvent` method is used to initialize the value of a `MutationEvent` created through the `DocumentEvent` [p.231] interface. This method may only be called before the `MutationEvent` has been dispatched via the `dispatchEvent` method, though it may be called multiple times during that phase if necessary. If called multiple times, the final invocation takes precedence.

Parameters

DOMString [p.21]	<code>typeArg</code>	Specifies the event type.
boolean	<code>canBubbleArg</code>	Specifies whether or not the event can bubble.
boolean	<code>cancelableArg</code>	Specifies whether or not the event's default action can be prevented.
Node [p.39]	<code>relatedNodeArg</code>	Specifies the Event [p.227] 's related Node
DOMString	<code>prevValueArg</code>	Specifies the Event [p.227] 's <code>prevValue</code> attribute
DOMString	<code>newValueArg</code>	Specifies the Event [p.227] 's <code>newValue</code> attribute
DOMString	<code>attrNameArg</code>	Specifies the Event [p.227] 's <code>attrName</code> attribute

No Return Value

No Exceptions

The different types of Mutation events that can occur are:

DOMSubtreeModified

This is a general event for notification of all changes to the document. It can be used instead of the more specific events listed below. It may be fired after a single modification to the document or, at the implementation's discretion, after multiple changes have occurred. The latter use should generally be used to accomodate multiple changes which occur either simultaneously or in rapid succession. The target of this event is the lowest common parent of the changes which have taken place. This event is dispatched after any other events caused by the mutation have fired.

- Bubbles: Yes
- Cancelable: No
- Context Info: None

DOMNodeInserted

Fired when a node has been added as a child of another node. This event is dispatched after the insertion has taken place. The target of this event is the node being inserted.

- Bubbles: Yes
- Cancelable: No
- Context Info: `relatedNode` holds the parent node

DOMNodeRemoved

Fired when a node is being removed from another node. This event is dispatched before the node is removed from the tree. The target of this event is the node being removed.

- Bubbles: Yes
- Cancelable: No
- Context Info: `relatedNode` holds the parent node

DOMNodeRemovedFromDocument

Fired when a node is being removed from a document, either through direct removal of the Node or removal of a subtree in which it is contained. This event is dispatched before the removal takes place. The target of this event is the node being removed. If the Node is being directly removed the `nodeRemoved` event will fire before the `nodeRemovedFromDocument` event.

- Bubbles: No
- Cancelable: No
- Context Info: None

DOMNodeInsertedIntoDocument

Fired when a node is being inserted into a document, either through direct insertion of the Node or insertion of a subtree in which it is contained. This event is dispatched after the insertion has taken place. The target of this event is the node being inserted. If the Node is being directly inserted the `nodeInserted` event will fire before the `nodeInsertedIntoDocument` event.

- Bubbles: No
- Cancelable: No
- Context Info: None

DOMAttrModified

Fired after an `Attr` [p.57] has been modified on a node. The target of this event is the `Node` [p.39] whose `Attr` changed. The values of `prevValue` and `newValue` may be the empty string in cases where an attribute has been added or removed.

- Bubbles: Yes
- Cancelable: No
- Context Info: `attrName`, `prevValue`, `newValue`

DOMCharacterDataModified

Fired after `CharacterData` within a node has been modified but the node itself has not been inserted or deleted. This event is also triggered by modifications to PI elements. The target of this event is the `CharacterData` node.

- Bubbles: Yes
- Cancelable: No
- Context Info: `prevValue`, `newValue`

6.6.5. HTML event types

The HTML event set is composed of events listed in HTML 4.0 and additional events which are supported in *DOM Level 0* [p.450] browsers.

A DOM consumer can use the `hasFeature` of the `DOMImplementation` [p.26] interface to determine whether the HTML event set has been implemented by a DOM implementation. The feature string for this event set is "HTMLEvents". This string is also used with the `createEvent` method.

The HTML events use the base DOM Event interface to pass contextual information.

The different types of such events that can occur are:

load

The load event occurs when the DOM implementation finishes loading all content within a document, all frames within a FRAMESET, or an OBJECT element.

- Bubbles: No
- Cancelable: No
- Context Info: None

unload

The unload event occurs when the DOM implementation removes a document from a window or frame. This event is valid for BODY and FRAMESET elements.

- Bubbles: No
- Cancelable: No
- Context Info: None

abort

The abort event occurs when page loading is stopped before an image has been allowed to completely load. This event applies to OBJECT elements.

- Bubbles: Yes
- Cancelable: No
- Context Info: None

error

The error event occurs when an image does not load properly or when an error occurs during script execution. This event is valid for OBJECT elements, BODY elements, and FRAMESET element.

- Bubbles: Yes
- Cancelable: No
- Context Info: None

select

The select event occurs when a user selects some text in a text field. This event is valid for INPUT and TEXTAREA elements.

- Bubbles: Yes
- Cancelable: No
- Context Info: None

change

The change event occurs when a control loses the input focus and its value has been modified since gaining focus. This event is valid for INPUT, SELECT, and TEXTAREA. element.

- Bubbles: Yes
- Cancelable: No
- Context Info: None

submit

The submit event occurs when a form is submitted. This event only applies to the FORM element.

- Bubbles: Yes
- Cancelable: Yes
- Context Info: None

reset

The reset event occurs when a form is reset. This event only applies to the FORM element.

- Bubbles: Yes
- Cancelable: No
- Context Info: None

focus

The focus event occurs when an element receives focus either via a pointing device or by tabbing navigation. This event is valid for the following elements: LABEL, INPUT, SELECT, TEXTAREA, and BUTTON.

- Bubbles: No
- Cancelable: No
- Context Info: None

blur

The blur event occurs when an element loses focus either via the pointing device or by tabbing navigation. This event is valid for the following elements: LABEL, INPUT, SELECT, TEXTAREA, and BUTTON.

- Bubbles: No
- Cancelable: No
- Context Info: None

resize

The resize event occurs when a document view is resized.

- Bubbles: Yes
- Cancelable: No
- Context Info: None

scroll

The scroll event occurs when a document view is scrolled.

- Bubbles: Yes
- Cancelable: No
- Context Info: None

6.6.5. HTML event types

7. Document Object Model Traversal

Editors

Mike Champion, Software AG

Joe Kesselman, IBM

Jonathan Robie, Software AG

7.1. Overview

This chapter describes the optional DOM Level 2 Traversal feature. Its `TreeWalker`, `NodeIterator`, and `Filter` interfaces provide easy-to-use, robust, selective traversal for document nodes. A DOM application can use the `hasFeature` method of the `DOMImplementation` [p.26] interface to determine whether they are supported or not. The feature string for all the interfaces listed in this section is "Traversal". Iterators and `TreeWalkers` are two different ways of representing the nodes of a document subtree and a position within the nodes they present. A `NodeIterator` presents a flattened view of the subtree as an ordered sequence of document nodes, presented in document order. Because this view is presented without respect to hierarchy, iterators have methods to move forward and backward, but not to move up and down. A `TreeWalker` maintains the hierarchical relationships of the subtree, allowing navigation of this hierarchy. In general, `TreeWalkers` are better for tasks in which the structure of the document around selected nodes will be manipulated, while iterators are better for tasks that focus on the content of each selected node.

Iterators and `TreeWalkers` each present a view of a document subtree that may not contain all nodes found in the subtree. In this specification, we refer to this as the *logical view* to distinguish it from the *physical view*, which corresponds to the document subtree per se. When an iterator or `TreeWalker` is created, it may be associated with a `Filter`, which examines a node and determines whether it should appear in the logical view. In addition, flags may be used to specify which node types should occur in the logical view.

Iterators and `TreeWalkers` are dynamic - the logical view changes to reflect changes made to the underlying document. However, they differ in how they respond to those changes. `NodeIterators`, which present the nodes sequentially, attempt to maintain their location relative to a position in that sequence when the sequence's contents change. `TreeWalkers`, which present the nodes as a filtered tree, maintain their location relative to their current node, and remain attached to that node if it is moved to a new context. We will discuss these behaviors in greater detail below.

7.1.1. Iterators

An iterator allows the members of a list of nodes to be returned sequentially. In the current DOM interfaces, this list will always consist of the nodes of a subtree, presented in document order. When an iterator is first created, calling `nextNode()` returns the first node in the logical view of the subtree; in most cases, this is the root of the subtree. When no more nodes are present, `nextNode()` returns `null`.

Iterators are created using the `createNodeIterator` method found in the `DocumentTraversal` [p.263] interface. When a `NodeIterator` is created, flags can be used to determine which node types will be "visible" and which nodes will be "invisible" while traversing the tree; these flags can be combined using the OR operator. Nodes that are "invisible" are skipped over by the iterator as though they did not exist.

The following code creates an iterator, then calls a function to print the name of each element:

```
NodeIterator iter=((DocumentTraversal)document).createNodeIterator(root, NodeFilter.SHOW_ELEMENT, null);

while (Node n = iter.nextNode())
    printMe(n);
```

7.1.1.1. Moving Forward and Backward

Iterators present nodes as an ordered list, and move forward and backward within this list. The iterator's position is always between two nodes, before the first node, or after the last node. When an iterator is first created, the position is set before the first item. The following diagram shows the list view that an iterator might provide for a particular subtree, with the position indicated by an asterisk '*' :

```
* A B C D E F G H I
```

Each call to `nextNode()` returns the next node and advances the position. For instance, if we start with the above position, the first call to `nextNode()` returns "A" and advances the iterator:

```
[A] * B C D E F G H I
```

The position of an iterator can best be described with respect to the last node returned, which we will call the *reference node*. When an iterator is created, the first node is the reference node, and the iterator is positioned before the reference node. In these diagrams, we use square brackets to indicate the reference node.

A call to `previousNode()` returns the previous node and moves the position backward. For instance, if we start with the iterator between "A" and "B", it would return "A" and move to the position shown below:

```
* [A] B C D E F G H I
```

If `nextNode()` is called at the end of a list, or `previousNode()` is called at the beginning of a list, it returns `null` and does not change the position of the iterator. When an iterator is first created, the reference node is the first node:

```
* [A] B C D E F G H I
```

7.1.1.2. Robustness

An iterator may be active while the data structure it navigates is being edited, so an iterator must behave gracefully in the face of change. Additions and removals in the underlying data structure do not invalidate an iterator; in fact, an iterator is never invalidated unless its `detach()` method is invoked. To make this possible, the iterator uses the reference node to maintain its position. The state of an iterator also depends on whether the iterator is positioned before or after the reference node. If the reference node is removed, another node becomes the reference node.

If changes to the iterated list do not remove the reference node, they do not affect the state of the iterator. For instance, the iterator's state is not affected by inserting new nodes in the vicinity of the iterator or removing nodes other than the reference node. Suppose we start from the following position:

A B C [D] * E F G H I

Now let's remove "E". The resulting state is:

A B C [D] * F G H I

If a new node is inserted, the iterator stays close to the reference node, so if a node is inserted between "D" and "F", it will occur between the iterator and "F":

A B C [D] * X F G H I

Moving a node is equivalent to a removal followed by an insertion. If we move "I" to the position before "X" the result is:

A B C [D] * I X F G H

If the reference node is removed, a different node is selected as the reference node. If the reference node is before the iterator, which is usually the case after `nextNode()` has been called, the nearest node before the iterator is chosen as the new reference node. Suppose we remove the "D" node, starting from the following state:

A B C [D] * F G H I

The "C" node becomes the new reference node, since it is the nearest node to the iterator that is before the iterator:

A B [C] * F G H I

If the reference node is after the iterator, which is usually the case after `previousNode()` has been called, the nearest node after the iterator is chosen as the new reference node. Suppose we remove "E", starting from the following state:

A B C D * [E] F G H I

The "F" node becomes the new reference node, since it is the nearest node to the iterator that is after the iterator:

A B C D * [F] G H I

Moving a node is equivalent to a removal followed by an insertion. Suppose we wish to move the "D" node to the end of the list, starting from the following state:

A B C [D] * F G H I C

The resulting state is as follows:

A B [C] * F G H I D

One special case arises when the reference node is the last node in the list and the reference node is removed. Suppose we remove node "C", starting from the following state:

A B * [C]

According to the rules we have given, the new reference node should be the nearest node after the iterator, but there are no further nodes after "C". The same situation can arise when `previousNode()` has just returned the first node in the list, which is then removed. Hence: If there is no node in the original direction of the reference node, the nearest node in the opposite direction is selected as the reference node:

A [B] *

If the iterator is positioned within a block of nodes that is removed, the above rules clearly indicate what is to be done. For instance, suppose "C" is the parent node of "D", "E", and "F", and we remove "C", starting with the following state:

A B C [D] * E F G H I D

The resulting state is as follows:

A [B] * G H I D

7.1.1.3. Visibility of Nodes

The underlying data structure that is being iterated may contain nodes that are not part of the logical view, and therefore will not be returned by the iterator. If invisible nodes are present, `nextNode()` returns the next visible node, skipping over nodes that are to be excluded because of the value of the `whatToShow` flag. If a filter is present, it is applied before returning a node; if the filter does not accept the node, the process is repeated until a node is accepted by the filter. That node is returned. If no visible nodes are encountered, a null is returned and the iterator is positioned at the end of the list. In this case, the reference node is the last node in the list, whether or not it is visible. The same approach is taken, in the opposite direction, for `previousNode()`.

In the following examples, we will use lowercase letters to represent nodes that are in the data structure, but which are not in the logical view. For instance, consider the following list:

A [B] * c d E F G

A call to `nextNode()` returns E and advances to the following position:

A B c d [E] * F G

Nodes that are not visible may nevertheless be used as reference nodes if a reference node is removed. Suppose node "E" is removed, started from the state given above. The resulting state is:

A B c [d] * F G

Suppose a new node "X", which is visible, is inserted before "d". The resulting state is:

A B c X [d] * F G

Note that a call to `previousNode()` now returns node X. It is important not to skip over invisible nodes when the reference node is removed, because there are cases, like the one just given above, where the wrong results will be returned. When "E" was removed, if the new reference node had been "B" rather than "d", calling `previousNode()` would not return "X".

7.1.2. Filters

Filters allow the user to create objects that "filter out" nodes. Each filter contains a user-written function that looks at a node and determines whether or not it should be filtered out. To use a filter, you create a `NodeIterator` or a `TreeWalker` that uses the filter. The `Iterator` or `TreeWalker` applies the filter to each node, and if the filter does not accept the node, the iterator or `TreeWalker` skips over the node as though it were not present in the document. Filters need not know how to navigate the structure that contains the nodes on which they operate.

Filters will be consulted when a traversal operation is performed, or when a `NodeIterator`'s reference node is removed from the subtree being iterated over and it must select a new one. However, the exact timing of these filter calls may vary from one DOM implementation to another. For that reason, filters should not attempt to maintain state based on the history of past invocations; the resulting behavior may not be portable.

Similarly, `TreeWalkers` and `NodeIterators` should behave as if they have no memory of past filter results, and no anticipation of future results. If the conditions a filter is examining have changed (e.g., an attribute which it tests has been added or removed) since the last time the traversal logic examined this node, this change in visibility will be discovered only when the next traversal operation is performed. For example: if the filtering for the current node changes from `FILTER_SHOW` to `FILTER_SKIP`, a `TreeWalker` will be able to navigate off that node in any direction, but not back to it unless the filtering conditions change again. Filters which change during a traversal can be written, but their behavior may be confusing and they should be avoided when possible.

7.1.2.1. Using Filters

A Filter contains one method named `acceptNode()`, which allows an iterator or `TreeWalker` to pass a `Node` to a filter and ask whether it should be present in the logical view. The `acceptNode()` function returns one of three values to state how the `Node` should be treated. If `acceptNode()` returns `FILTER_ACCEPT`, the `Node` will be present in the logical view; if it returns `FILTER_SKIP`, the `Node` will not be present in the logical view, but the children of the `Node` may; if it returns `FILTER_REJECT`, neither the `Node` nor its descendants will be present in the logical view. Since iterators present nodes as an ordered list, without hierarchy, `FILTER_REJECT` and `FILTER_SKIP` are synonyms for iterators, skipping only the single current node.

Consider a filter that accepts the named anchors in an HTML document. In HTML, an `HREF` can refer to any `A` element that has a `NAME` attribute. Here is a filter in Java that looks at a node and determines whether it is a named anchor:

```
class NamedAnchorFilter implements NodeFilter
{
    short acceptNode(Node n) {
        if (n.getNodeType() == Node.ELEMENT_NODE) {
```

```

        Element e = (Element)n;
        if (! e.getNodeName().equals("A"))
            return FILTER_SKIP;
        if (e.getAttributeNode("NAME") != null) {
            return FILTER_ACCEPT;
        }
    }
    return FILTER_SKIP;
}
}
}

```

If the above Filter were to be used only with NodeIterators, it could have used FILTER_REJECT wherever FILTER_SKIP is used, and the behavior would not change. For TreeWalker, though, FILTER_REJECT would reject the children of any element that is not a named anchor, and since named anchors are always contained within other elements, this would have meant that no named anchors would be found. FILTER_SKIP rejects the given node, but continues to examine the children; therefore, the above filter will work with either a NodeIterator or a TreeWalker.

To use this filter, the user would create an instance of the filter and create an iterator using it:

```

NamedAnchorFilter myFilter = new NamedAnchorFilter();
NodeIterator iter=((DocumentTraversal)document).createNodeIterator(node, NodeFilter.SHOW_ELEMENT, myFilter);

```

Note that the use of the SHOW_ELEMENT flag is not strictly necessary in this example, since our sample Filter tests the nodeType. However, some implementations of the Traversal interfaces may be able to improve whatToShow performance by taking advantage of knowledge of the document's structure, which makes the use of SHOW_ELEMENT worthwhile. Conversely, while we could remove the nodeType test from our Filter, that would make it dependent upon whatToShow to distinguish between Elements, Attr's, and ProcessingInstructions.

7.1.2.2. Filters and Exceptions

When writing a Filter, users should avoid writing code that can throw an exception. However, because an implementation can not prevent users from doing so, it is important that the behavior of filters that throw an exception be well-defined. A TreeWalker or NodeIterator does not catch or alter an exception thrown by a filter, but lets it propagate up to the user's code. The following functions may invoke a Filter, and may therefore propagate an exception if one is thrown by a Filter:

1. NodeIterator.nextNode()
2. NodeIterator.previousNode()
3. TreeWalker.firstChild()
4. TreeWalker.lastChild()
5. TreeWalker.nextSibling()
6. TreeWalker.previousSibling()
7. TreeWalker.nextNode()
8. TreeWalker.previousNode()
9. TreeWalker.parentNode()

7.1.2.3. Filters and Document Mutation

Well-designed Filters do not modify the underlying document structure, but a Filter implementation can not prevent a user from writing code that does modify the document structure. Filters do not provide any special processing to handle this case. For instance, if a Filter removes a node from a document, it can still accept the node, which means that the node may be returned by the `NodeIterator` or `TreeWalker` even though it is no longer in the document. In general, this may lead to inconsistent, confusing results, so we encourage users to write Filters that make no changes to document structures.

7.1.2.4. Filters and whatToShow flags

`Iterator` and `TreeWalker` apply `whatToShow` flags before applying Filters. If a node is skipped by the active `whatToShow` flags, a Filter will not be called to evaluate that node. Please note that this behavior is similar to that of `FILTER_SKIP`; children of that node will be considered, and Filters may be called to evaluate them. Also note that it will in fact be a "skip" even if the Filter would have preferred to reject the entire subtree; if this would cause a problem in your application, consider setting `whatToShow` to `SHOW_ALL` and performing the `nodeType` test inside your filter.

7.1.3. TreeWalker

The `TreeWalker` [p.260] interface provides many of the same benefits as the `NodeIterator` interface. The main difference between these two interfaces is that the `TreeWalker` presents a tree-oriented view of the nodes in a subtree, and an iterator presents a list-oriented view. In other words, an iterator allows you to move forward or back, but a `TreeWalker` allows you to move to the parent of a node, to one of its children, or to a sibling.

Using a `TreeWalker` [p.260] is quite similar to navigation using the `Node` directly, and the navigation methods for the two interfaces are analogous. For instance, here is a function that walks over a tree of nodes in document order, taking separate actions when first entering a node and after processing any children:

```
processMe(Node n) {
    nodeStartActions(n);
    for (Node child=n.firstChild(); child != null; child=child.nextSibling())
        processMe(child);
    }
    nodeEndActions(n);
}
```

Doing the same thing using a `TreeWalker` [p.260] is quite similar. There is one difference: since navigation on the `TreeWalker` changes the current position, the position at the end of the function has changed. A read/write attribute named `currentNode` allows the current node for a `TreeWalker` to be set. We will use this to ensure that the position of the `TreeWalker` is restored when this function is completed:

7.1.3. TreeWalker

```
processMe(TreeWalker tw) {
    Node n = tw.getCurrentNode();
    nodeStartActions(tw);
    for (Node child=tw.firstChild(); child!=null; child=tw.nextSibling()) {
        processMe(tw);
    }

    tw.setCurrentNode(n);
    nodeEndActions(tw);
}
```

The advantage of using a TreeWalker [p.260] instead of direct Node navigation is that the TreeWalker allows the user to choose an appropriate view of the tree. Flags may be used to show or hide comments or processing instructions, entities may be expanded or left as entity references. In addition, Filters may be used to present a custom view of the tree. Suppose a program needs a view of a document that shows which tables occur in each chapter, listed by chapter. In this view, only the chapter elements and the tables that they contain are seen. The first step is to write an appropriate filter:

```
class TablesInChapters implements NodeFilter {

    short acceptNode(Node n) {
        if (n.getNodeType()==Node.ELEMENT_NODE) {

            if (n.getNodeName().equals("CHAPTER"))
                return FILTER_ACCEPT;

            if (n.getNodeName().equals("TABLE"))
                return FILTER_ACCEPT;

            if (n.getNodeName().equals("SECT1")
                || n.getNodeName().equals("SECT2")
                || n.getNodeName().equals("SECT3")
                || n.getNodeName().equals("SECT4")
                || n.getNodeName().equals("SECT5")
                || n.getNodeName().equals("SECT6")
                || n.getNodeName().equals("SECT7"))
                return FILTER_SKIP;

        }

        return FILTER_REJECT;
    }
}
```

This filter assumes that TABLE elements are contained directly in CHAPTER or SECTn elements. If another kind of element is encountered, it and its children are rejected. If a SECTn element is encountered, it is skipped, but its children are explored to see if they contain any TABLE elements.

Now the program can create an instance of this Filter, create a TreeWalker [p.260] that uses it, and pass this TreeWalker to our ProcessMe() function:

```
TablesInChapters tablesInChapters = new TablesInChapters();
TreeWalker tw = ((DocumentTraversal)document).createTreeWalker(root, NodeFilter.SHOW_ELEMENT, tablesInChapters);
processMe(tw);
```

(Again, we've chosen to both test the `nodeType` in the filter's logic and use `SHOW_ELEMENT`, for the reasons discussed in the earlier `NodeIterator` example.)

Without making any changes to the above `ProcessMe()` function, it now processes only the `CHAPTER` and `TABLE` elements. The programmer can write other filters or set other flags to choose different sets of nodes; if functions use `TreeWalker` [p.260] to navigate, they will support any view of the document defined with a `TreeWalker`.

Note that the structure of a `TreeWalker` [p.260]'s filtered view of a document may differ significantly from that of the document itself. For example, a `TreeWalker` with only `SHOW_TEXT` specified in its `whatToShow` parameter would present all the `Text Nodes` as if they were siblings of each other yet had no parent.

7.1.3.1. Robustness

As with iterators, a `TreeWalker` [p.260] may be active while the data structure it navigates is being edited, and must behave gracefully in the face of change. Additions and removals in the underlying data structure do not invalidate a `TreeWalker`; in fact, a `TreeWalker` is never invalidated.

But a `TreeWalker` [p.260]'s response to these changes is quite different from that of a `NodeIterator` [p.254]. While `NodeIterators` respond to editing by maintaining their position within the subtree that they are iterating over, `TreeWalkers` will instead remain attached to their `currentNode`. All the `TreeWalker`'s navigation methods operate in terms of the context of the `currentNode` at the time they are invoked, no matter what has happened to, or around, that node since the last time the `TreeWalker` was accessed. This remains true even if the `currentNode` is moved out of its original subtree.

As an example, consider the following document fragment:

```
...
<subtree>
  <twRoot>
    <currentNode/>
    <anotherNode/>
  </twRoot>
</subtree>
...
```

Let's say we have created a `TreeWalker` [p.260] whose root node is the `<twRoot/>` element and whose `currentNode` is the `<currentNode/>` element. For this illustration, we will assume that all the nodes shown above are accepted by the `TreeWalker`'s `whatToShow` and filter settings.

If we use `removeChild()` to remove the `<currentNode/>` element from its parent, that element remains the `TreeWalker` [p.260]'s `currentNode`, even though it is no longer within the root node's subtree. We can still use the `TreeWalker` to navigate through any children that the orphaned `currentNode` may have, but are no longer able to navigate outward from the `currentNode` since there is no parent available.

If we use `insertBefore()` or `appendChild()` to give the `<currentNode/>` a new parent, then `TreeWalker` [p.260] navigation will operate from the `currentNode`'s new location. For example, if we inserted the `<currentNode>` immediately after the `<anotherNode/>` element, the `TreeWalker`'s `previousSibling()` operation would move it back to the `<anotherNode/>`, and calling `parentNode()` would move it up to the `<twRoot/>`.

If we instead insert the `currentNode` into the `<subtree/>` element, like so:

```
...
<subtree>
  <currentNode/>
  <twRoot>
    <anotherNode/>
  </twRoot>
</subtree>
...
```

we have moved the `currentNode` out from under the `TreeWalker` [p.260]'s root node. This does not invalidate the `TreeWalker`; it may still be used to navigate relative to the `currentNode`. Calling its `parentNode()` operation, for example, would move it to the `<subtree/>` element, even though that too is outside the original root node. However, if the `TreeWalker`'s navigation should take it back into the original root node's subtree -- for example, if rather than calling `parentNode()` we called `nextNode()`, moving the `TreeWalker` to the `<twRoot/>` element -- the root node will "recapture" the `TreeWalker`, and prevent it from traversing back out.

This becomes a bit more complicated when filters are in use. Relocation of the `currentNode` -- or explicit selection of a new `currentNode`, or changes in the conditions that the filter is basing its decisions on -- can result in a `TreeWalker` having a `currentNode` which would not otherwise be visible in the filtered view of the document. This node can be thought of as a "transient member" of that view. When you ask the `TreeWalker` to navigate off this node the result will be just as if it had been visible, but you may be unable to navigate back to it unless conditions change to make it visible again.

In particular: If the `currentNode` becomes part of a subtree that would otherwise have been Rejected by the filter, that entire subtree may be added as transient members of the logical view. You will be able to navigate within that subtree (subject to all the usual filtering) until you move upward past the Rejected ancestor. The behavior is as if the Rejected node had only been Skipped (since we somehow wound up inside its subtree) until we leave it; thereafter, standard filtering applies.

7.2. Formal Interface Definition

Interface *NodeIterator* (introduced in **DOM Level 2**)

`NodeIterators` are used to step through a set of nodes, e.g. the set of nodes in a `NodeList`, the document subtree governed by a particular node, the results of a query, or any other set of nodes. The set of nodes to be iterated is determined by the implementation of the `NodeIterator`. DOM Level 2 specifies a single `NodeIterator` implementation for document-order traversal of a document subtree. Instances of these iterators are created by calling `DocumentTraversal.createNodeIterator()`.

IDL Definition

```
// Introduced in DOM Level 2:
interface NodeIterator {
  readonly attribute Node          root;
  readonly attribute unsigned long whatToShow;
  readonly attribute NodeFilter    filter;
  readonly attribute boolean       expandEntityReferences;
  Node                          nextNode()
                                raises(DOMException);
  Node                          previousNode()
                                raises(DOMException);
  void                          detach();
};
```

Attributes

`expandEntityReferences` of type `boolean`, `readonly`

The value of this flag determines whether the children of entity reference nodes are visible to the iterator. If false, they and their descendents will be rejected. Note that this rejection takes precedence over `whatToShow` and the filter. Also note that this is currently the only situation where Iterators may reject a complete subtree rather than skipping individual nodes.

To produce a view of the document that has entity references expanded and does not expose the entity reference node itself, use the `whatToShow` flags to hide the entity reference node and set `expandEntityReferences` to true when creating the iterator. To produce a view of the document that has entity reference nodes but no entity expansion, use the `whatToShow` flags to show the entity reference node and set `expandEntityReferences` to false.

`filter` of type `NodeFilter` [p.256] , `readonly`

The filter used to screen nodes.

`root` of type `Node` [p.39] , `readonly`

The root node of the Iterator, as specified when it was created.

`whatToShow` of type `unsigned long`, `readonly`

This attribute determines which node types are presented via the iterator. The available set of constants is defined in the `NodeFilter` [p.256] interface. Nodes not accepted by `whatToShow` will be skipped, but their children may still be considered. Note that this skip takes precedence over the filter, if any.

Methods

`detach`

Detaches the iterator from the set which it iterated over, releasing any computational resources and placing the iterator in the `INVALID` state. After `detach` has been invoked, calls to `nextNode` or `previousNode` will raise the exception `INVALID_STATE_ERR`.

No Parameters

No Return Value

No Exceptions

`nextNode`

Returns the next node in the set and advances the position of the iterator in the set. After a `NodeIterator` is created, the first call to `nextNode()` returns the first node in the set.

Return Value

<code>Node</code> [p.39]	The next <code>Node</code> in the set being iterated over, or <code>null</code> if there are no more members in that set.
-----------------------------	---

Exceptions

<code>DOMException</code> [p.24]	<code>INVALID_STATE_ERR</code> : Raised if this method is called after the <code>detach</code> method was invoked.
-------------------------------------	--

No Parameters`previousNode`

Returns the previous node in the set and moves the position of the iterator backwards in the set.

Return Value

<code>Node</code> [p.39]	The previous <code>Node</code> in the set being iterated over, or <code>null</code> if there are no more members in that set.
-----------------------------	---

Exceptions

<code>DOMException</code> [p.24]	<code>INVALID_STATE_ERR</code> : Raised if this method is called after the <code>detach</code> method was invoked.
-------------------------------------	--

No Parameters**Interface *NodeFilter*** (introduced in **DOM Level 2**)

Filters are objects that know how to "filter out" nodes. If a `NodeIterator` [p.254] or `TreeWalker` [p.260] is given a filter, it applies the filter before it returns the next node. If the filter says to accept the node, the iterator returns it; otherwise, the iterator looks for the next node and pretends that the node that was rejected was not there.

The DOM does not provide any filters. Filter is just an interface that users can implement to provide their own filters.

Filters do not need to know how to iterate, nor do they need to know anything about the data structure that is being iterated. This makes it very easy to write filters, since the only thing they have to know how to do is evaluate a single node. One filter may be used with a number of different kinds of iterators, encouraging code reuse.

Note: This is an ECMAScript function reference. This method returns a `short`. The parameter is of type `Node` [p.39].

IDL Definition

```
// Introduced in DOM Level 2:
interface NodeFilter {
  // Constants returned by acceptNode
  const short          FILTER_ACCEPT          = 1;
  const short          FILTER_REJECT         = 2;
  const short          FILTER_SKIP           = 3;

  // Constants for whatToShow
  const unsigned long  SHOW_ALL              = 0xFFFFFFFF;
  const unsigned long  SHOW_ELEMENT         = 0x00000001;
  const unsigned long  SHOW_ATTRIBUTE      = 0x00000002;
  const unsigned long  SHOW_TEXT           = 0x00000004;
  const unsigned long  SHOW_CDATA_SECTION  = 0x00000008;
  const unsigned long  SHOW_ENTITY_REFERENCE = 0x00000010;
  const unsigned long  SHOW_ENTITY         = 0x00000020;
  const unsigned long  SHOW_PROCESSING_INSTRUCTION = 0x00000040;
  const unsigned long  SHOW_COMMENT        = 0x00000080;
  const unsigned long  SHOW_DOCUMENT       = 0x00000100;
  const unsigned long  SHOW_DOCUMENT_TYPE  = 0x00000200;
  const unsigned long  SHOW_DOCUMENT_FRAGMENT = 0x00000400;
  const unsigned long  SHOW_NOTATION       = 0x00000800;

  short                acceptNode(in Node n);
};
```

Definition group *Constants returned by acceptNode*

The following constants are returned by the `acceptNode()` method:

Defined Constants

- | | |
|----------------------|---|
| FILTER_ACCEPT | Accept the node. Navigation methods defined for <code>NodeIterator</code> [p.254] or <code>TreeWalker</code> [p.260] will return this node. |
| FILTER_REJECT | Reject the node. Navigation methods defined for <code>NodeIterator</code> [p.254] or <code>TreeWalker</code> [p.260] will not return this node. For <code>TreeWalker</code> , the children of this node will also be rejected. Iterators treat this as a synonym for <code>FILTER_SKIP</code> . |
| FILTER_SKIP | Skip this single node. Navigation methods defined for <code>NodeIterator</code> [p.254] or <code>TreeWalker</code> [p.260] will not return this node. For both <code>NodeIterator</code> and <code>Treewalker</code> , the children of this node will still be considered. |

Definition group *Constants for whatToShow*

These are the available values for the `whatToShow` parameter used in `TreeWalkers` and `Iterators`. They are the same as the set of possible types for `Node`, and their values are derived by using a bit position corresponding to the value of `Node.nodeType` for the equivalent node type. If a bit in `whatToShow` is set false, that will be taken as a request to skip over this type of node; the behavior in that case is similar to that of `FILTER_SKIP`.

Note that if node types greater than 32 are ever introduced, they may not be individually testable via `whatToShow`. If that need should arise, it can be handled by selecting `SHOW_ALL` together with an appropriate `NodeFilter`.

Defined Constants

SHOW_ALL	Show all nodes.
SHOW_ATTRIBUTE	Show attribute nodes. This is meaningful only when creating an iterator or tree-walker with an attribute node as its root; in this case, it means that the attribute node will appear in the first position of the iteration or traversal. Since attributes are not part of the document tree, they do not appear when traversing over the document tree.
SHOW_CDATA_SECTION	Show CDATASection nodes.
SHOW_COMMENT	Show Comment nodes.
SHOW_DOCUMENT	Show Document nodes.
SHOW_DOCUMENT_FRAGMENT	Show DocumentFragment nodes.
SHOW_DOCUMENT_TYPE	Show DocumentType nodes.
SHOW_ELEMENT	Show element nodes.
SHOW_ENTITY	Show Entity nodes. This is meaningful only when creating an iterator or tree-walker with an Entity node as its root; in this case, it means that the Entity node will appear in the first position of the traversal. Since entities are not part of the document tree, they do not appear when traversing over the document tree.
SHOW_ENTITY_REFERENCE	Show Entity Reference nodes.
SHOW_NOTATION	Show Notation nodes. This is meaningful only when creating an iterator or tree-walker with a Notation node as its root; in this case, it means that the Notation node will appear in the first position of the traversal. Since notations are not part of the document tree, they do not appear when traversing over the document tree.
SHOW_PROCESSING_INSTRUCTION	Show ProcessingInstruction nodes.
SHOW_TEXT	Show text nodes.

Methods**acceptNode**

Test whether a specified node is visible in the logical view of a `TreeWalker` or `NodeIterator`. This function will be called by the implementation of `TreeWalker` and `NodeIterator`; it is not intended to be called directly from user code.

Parameters

Node [p.39] n The node to check to see if it passes the filter or not.

Return Value

short a constant to determine whether the node is accepted, rejected, or skipped, as defined above [p.257] .

No Exceptions**Interface *TreeWalker*** (introduced in **DOM Level 2**)

`TreeWalker` objects are used to navigate a document tree or subtree using the view of the document defined by its `whatToShow` flags and any filters that are defined for the `TreeWalker`. Any function which performs navigation using a `TreeWalker` will automatically support any view defined by a `TreeWalker`.

Omitting nodes from the logical view of a subtree can result in a structure that is substantially different from the same subtree in the complete, unfiltered document. Nodes that are siblings in the `TreeWalker` view may be children of different, widely separated nodes in the original view. For instance, consider a `Filter` that skips all nodes except for `Text` nodes and the root node of a document. In the logical view that results, all text nodes will be siblings and appear as direct children of the root node, no matter how deeply nested the structure of the original document.

IDL Definition

```
// Introduced in DOM Level 2:
interface TreeWalker {
    readonly attribute Node          root;
    readonly attribute unsigned long whatToShow;
    readonly attribute NodeFilter    filter;
    readonly attribute boolean      expandEntityReferences;
    attribute Node                  currentNode;
                                    // raises(DOMException) on setting

    Node          parentNode();
    Node          firstChild();
    Node          lastChild();
    Node          previousSibling();
    Node          nextSibling();
    Node          previousNode();
    Node          nextNode();
};
```

Attributes

`currentNode` of type `Node` [p.39]

The node at which the `TreeWalker` is currently positioned.

The value must not be null. Alterations to the DOM tree may cause the current node to no longer be accepted by the `TreeWalker`'s associated filter. `currentNode` may also be explicitly set to any node, whether or not it is within the subtree specified by the root node or would be accepted by the filter and `whatToShow` flags. Further traversal occurs relative to `currentNode` even if it is not part of the current view by applying the filters in the requested direction (not changing `currentNode` where no traversal is possible).

Exceptions on setting

<code>DOMException</code> [p.24]	<code>NOT_SUPPORTED_ERR</code> : Raised if the specified <code>currentNode</code> is null.
-------------------------------------	--

`expandEntityReferences` of type `boolean`, readonly

The value of this flag determines whether the children of entity reference nodes are visible to the `TreeWalker`. If false, they and their descendants will be rejected. Note that this rejection takes precedence over `whatToShow` and the filter, if any.

To produce a view of the document that has entity references expanded and does not expose the entity reference node itself, use the `whatToShow` flags to hide the entity reference node and set `expandEntityReferences` to true when creating the `TreeWalker`. To produce a view of the document that has entity reference nodes but no entity expansion, use the `whatToShow` flags to show the entity reference node and set `expandEntityReferences` to false.

`filter` of type `NodeFilter` [p.256] , readonly

The filter used to screen nodes.

`root` of type `Node` [p.39] , readonly

The root node of the `TreeWalker`, as specified when it was created.

`whatToShow` of type `unsigned long`, readonly

This attribute determines which node types are presented via the `TreeWalker`. The available set of constants is defined in the `NodeFilter` [p.256] interface. Nodes not accepted by `whatToShow` will be skipped, but their children may still be considered. Note that this skip takes precedence over the filter, if any.

Methods

`firstChild`

Moves the `TreeWalker` to the first visible child of the current node, and returns the new node. If the current node has no visible children, returns `null`, and retains the current node.

Return Value

<code>Node</code> [p.39]	The new node, or <code>null</code> if the current node has no visible children in the <code>TreeWalker</code> 's logical view.
-----------------------------	--

No Parameters**No Exceptions**`lastChild`

Moves the `TreeWalker` to the last visible child of the current node, and returns the new node. If the current node has no visible children, returns `null`, and retains the current node.

Return Value

<code>Node</code> [p.39]	The new node, or <code>null</code> if the current node has no children in the <code>TreeWalker</code> 's logical view.
-----------------------------	--

No Parameters**No Exceptions**`nextNode`

Moves the `TreeWalker` to the next visible node in document order relative to the current node, and returns the new node. If the current node has no next node, or if the search for `nextNode` attempts to step upward from the `TreeWalker`'s root node, returns `null`, and retains the current node.

Return Value

<code>Node</code> [p.39]	The new node, or <code>null</code> if the current node has no next node in the <code>TreeWalker</code> 's logical view.
-----------------------------	---

No Parameters**No Exceptions**`nextSibling`

Moves the `TreeWalker` to the next sibling of the current node, and returns the new node. If the current node has no visible next sibling, returns `null`, and retains the current node.

Return Value

<code>Node</code> [p.39]	The new node, or <code>null</code> if the current node has no next sibling in the <code>TreeWalker</code> 's logical view.
-----------------------------	--

No Parameters**No Exceptions**`parentNode`

Moves to and returns the closest visible ancestor node of the current node. If the search for `parentNode` attempts to step upward from the `TreeWalker`'s root node, or if it fails to find a visible ancestor node, this method retains the current position and returns `null`.

Return Value

Node
[p.39] The new parent node, or null if the current node has no parent in the TreeWalker's logical view.

No Parameters**No Exceptions**

previousNode

Moves the TreeWalker to the previous visible node in document order relative to the current node, and returns the new node. If the current node has no previous node, or if the search for previousNode attempts to step upward from the TreeWalker's root node, returns null, and retains the current node.

Return Value

Node
[p.39] The new node, or null if the current node has no previous node in the TreeWalker's logical view.

No Parameters**No Exceptions**

previousSibling

Moves the TreeWalker to the previous sibling of the current node, and returns the new node. If the current node has no visible previous sibling, returns null, and retains the current node.

Return Value

Node
[p.39] The new node, or null if the current node has no previous sibling in the TreeWalker's logical view.

No Parameters**No Exceptions****Interface *DocumentTraversal*** (introduced in **DOM Level 2**)

DocumentTraversal contains methods that create iterators and tree-walkers to traverse a node and its children in document order (depth first, pre-order traversal, which is equivalent to the order in which the start tags occur in the text representation of the document). In DOMs which support the Traversal feature, DocumentTraversal will be implemented by the same objects that implement the Document interface.

IDL Definition

```
// Introduced in DOM Level 2:
interface DocumentTraversal {
    NodeIterator      createNodeIterator(in Node root,
                                       in unsigned long whatToShow,
                                       in NodeFilter filter,
                                       in boolean entityReferenceExpansion);
    TreeWalker       createTreeWalker(in Node root,
```

```

        in unsigned long whatToShow,
        in NodeFilter filter,
        in boolean entityReferenceExpansion)
        raises(DOMException);
};

```

Methods

`createNodeIterator`

Create a new `NodeIterator` over the subtree rooted at the specified node.

Parameters

Node [p.39]	<code>root</code>	The node which will be iterated together with its children. The iterator is initially positioned just before this node. The <code>whatToShow</code> flags and the filter, if any, are not considered when setting this position.
unsigned long	<code>whatToShow</code>	This flag specifies which node types may appear in the logical view of the tree presented by the iterator. See the description of iterator for the set of possible values. These flags can be combined using OR.
NodeFilter [p.256]	<code>filter</code>	The Filter to be used with this <code>TreeWalker</code> , or null to indicate no filter.
boolean	<code>entityReferenceExpansion</code>	The value of this flag determines whether entity reference nodes are expanded.

Return Value

NodeIterator [p.254] The newly created NodeIterator.

No Exceptions

createTreeWalker

Create a new TreeWalker over the subtree rooted at the specified node.

Parameters

Node [p.39]	root	The node which will serve as the root for the TreeWalker [p.260]. The whatToShow flags and the NodeFilter are not considered when setting this value; any node type will be accepted as the root. The currentNode of the TreeWalker is initialized to this node, whether or not it is visible. The root functions as a stopping point for traversal methods that look upward in the document structure, such as parentNode and nextNode. The root must not be null.
unsigned long	whatToShow	This flag specifies which node types may appear in the logical view of the tree presented by the iterator. See the description of TreeWalker for the set of possible values. These flags can be combined using OR.

NodeFilter [p.256]	filter	The Filter to be used with this TreeWalker, or null to indicate no filter.
boolean	entityReferenceExpansion	The value of this flag determines whether entity reference nodes are expanded.

Return Value

TreeWalker [p.260]	The newly created TreeWalker.
--------------------	-------------------------------

Exceptions

DOMException [p.24]	Raises the exception NOT_SUPPORTED_ERR if the specified root node is null.
------------------------	--

8. Document Object Model Range

Editors

Vidur Apparao, Netscape Communications
Peter Sharpe, SoftQuad Software Inc.

8.1. Introduction

A Range identifies a range of content in a Document, DocumentFragment or Attr. It is contiguous in the sense that it can be characterized as selecting all of the content between a pair of boundary-points.

Note: In a text editor or a word processor, a user can make a selection by pressing down the mouse at one point in a document, moving the mouse to another point, and releasing the mouse. The resulting selection is contiguous and consists of the content between the two points.

The term 'selecting' does not mean that every Range corresponds to a selection made by a GUI user; however, such a selection can be returned to a DOM user as a Range.

Note: In bidirectional writing (Arabic, Hebrew), a range may correspond to a logical selection that is not necessarily contiguous when displayed. A visually contiguous selection, also used in some cases, may not correspond to a single logical selection, and may therefore have to be represented by more than one range.

The Range interface provides methods for accessing and manipulating the document tree at a higher level than similar methods in the Node interface. The expectation is that each of the methods provided by the Range interface for the insertion, deletion and copying of content can be directly mapped to a series of Node editing operations enabled by DOM Core. In this sense, the Range operations can be viewed as convenience methods that also enable the implementation to optimize common editing patterns.

This chapter describes the Range interface, including methods for creating and moving a Range and methods for manipulating content with Ranges. The feature string for the interfaces listed in this section is "Range".

8.2. Definitions and Notation

8.2.1. Position

This chapter refers to two different representations of a document: the text or source form that includes the document markup and the tree representation similar to the one described in the What is the Document Object Model? [p.13] section.

A Range consists of two *boundary-points* corresponding to the start and the end of the Range. A boundary-point's position in a document or document fragment tree can be characterized by a node and an offset. The node is called the *container* of the boundary-point and of its position. The container and its ancestors are the *ancestor containers* of the boundary-point and of its position. The offset within the node is called the *offset* of the boundary-point and its position. If the container is an Attr, Document, Document Fragment, Element or EntityReference node, the offset is between its child nodes. If the container is a

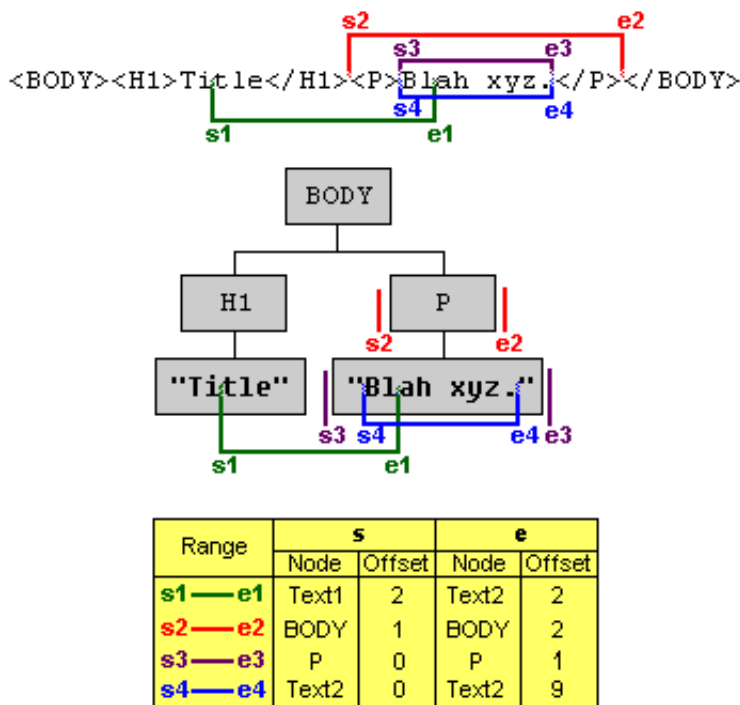
CharacterData, Comment or ProcessingInstruction node, the offset is between the 16-bit units of the UTF-16 encoded string contained by it.

The *boundary-points* [p.267] of a Range must have a common *ancestor container* [p.267] which is either a Document, DocumentFragment or Attr node. That is, the content of a Range must be entirely within the subtree rooted by a single Document, DocumentFragment or Attr Node. This common *ancestor container* [p.267] is known as the *root container* of the Range. The tree rooted by the *root container* [p.268] is known as the Range's *context tree*.

The *container* [p.267] of an *boundary-point* [p.267] of a Range must be an Element, Comment, ProcessingInstruction, EntityReference, CDATASection, Document, DocumentFragment, Attr, or Text node. None of the *ancestor container* [p.267] s of the *boundary-point* of a Range can be a DocumentType, Entity or Notation node.

In terms of the text representation of a document, the *boundary-points* [p.267] of a Range can only be on token boundaries. That is, the *boundary-point* of the text range cannot be in the middle of a start- or end-tag of an element or within the name of an entity or character reference. A Range locates a contiguous portion of the content of the structure model.

The relationship between locations in a text representation of the document and in the Node tree interface of the DOM is illustrated in the following diagram:



Range Example

In this diagram, four different Ranges are illustrated. The *boundary-points* [p.267] of each range are labelled with *s#* (the start of the range) and *e#* (the end of the range), where # is the number of the Range. For Range 2, the start is in the BODY element and is immediately after the H1 element and immediately before the P element, so its position is between the H1 and P children of BODY. The *offset* [p.267] of a *boundary-point* whose *container* [p.267] is not a CharacterData node is 0 if it is before the first child, 1 if between the first and second child, and so on. So, for the start of the Range 2, the *container* is BODY and the *offset* is 1. The *offset* of a *boundary-point* whose *container* is a CharacterData node is obtained similarly but using 16-bit unit positions instead. For example, the *boundary-point* labelled *s1* of the Range 1 has a Text node (the one containing "Title") as its *container* and an *offset* of 2 since it is between the second and third 16-bit unit.

Notice that the *boundary-point* [p.267] s of Ranges 3 and 4 correspond to the same location in the text representation. An important feature of the Range is that a *boundary-point* of a Range can unambiguously represent every position within the document tree.

The *container* [p.267] s and *offset* [p.267] s of the *boundary-point* [p.267] s can be obtained through the following read-only Range attributes:

```
readonly attribute Node startContainer;
readonly attribute long startOffset;
readonly attribute Node endContainer;
readonly attribute long endOffset;
```

If the *boundary-point* [p.267] s of a Range have the same *container* [p.267] s and *offset* [p.267] s, the Range is said to be a *collapsed* Range. (This is often referred to as an insertion point in a user agent.)

8.2.2. Selection and Partial Selection

A node or 16-bit unit is said to be *selected* by a Range if it is between the two *boundary-point* [p.267] s of the Range, that is, if the position immediately before the node or 16-bit unit is before the end of the Range and the position immediately after the node or 16-bit unit is after the start of the range. For example, in terms of a text representation of the document, an element would be *selected* [p.269] by a Range if its corresponding start-tag was located after the start of the Range and its end-tag was located before the end of the Range. In the examples in the above diagram, the Range 2 *selects* the P node and the Range 3 *selects* the text node containing the text "Blah xyz."

A node is said to be *partially selected* by a Range if it is an *ancestor container* [p.267] of exactly one *boundary-point* [p.267] of the Range. For example, consider Range 1 in the above diagram. The element H1 is *partially selected* [p.269] by that Range since the start of the Range is within one of its children.

8.2.3. Notation

Many of the examples in this chapter are illustrated using a text representation of a document. The *boundary-point* [p.267] s of a range are indicated by displaying the characters (be they markup or data characters) between the two *boundary-points* in bold, as in

```
<FOO>ABC<BAR>DEF</BAR></FOO>
```

When both *boundary-point* [p.267] s are at the same position, they are indicated with a bold caret (**^**), as in

```
<FOO>A^BC<BAR>DEF</BAR></FOO>
```

And when referring to a single *boundary-point* [p.267] , it will be shown as a bold asterisk (*****) as in

```
<FOO>A*BC<BAR>DEF</BAR></FOO>
```

8.3. Creating a Range

A range is created by calling the `createRange()` method on the `DocumentRange` [p.289] interface. This interface can be obtained from the object implementing the `Document` [p.29] interface using binding-specific casting methods.

```
interface DocumentRange {
    Range createRange();
}
```

The initial state of the range returned from this method is such that both of its *boundary-point* [p.267] s are positioned at the beginning of the corresponding `Document`, before any content. In other words, the *container* [p.267] of each *boundary-point* is the `Document` node and the offset within that node is 0.

Like some objects created using methods in the `Document` interface (such as `Nodes` and `DocumentFragments`), `Ranges` created via a particular document instance can select only content associated with that `Document`, or with `DocumentFragments` and `Attrs` for which that `Document` is the `ownerDocument`. Such `Ranges`, then, can not be used with other `Document` instances.

8.4. Changing a Range's Position

A `Range`'s position can be specified by setting the *container* [p.267] and *offset* [p.267] of each *boundary-point* with the `setStart` and `setEnd` methods.

```
void setStart(in Node parent, in long offset)
             raises(RangeException);
void setEnd(in Node parent, in long offset)
           raises(RangeException);
```

If one *boundary-point* of a `Range` is set to have a *root container* [p.268] other than the current one for the range, the range is *collapsed* [p.269] to the new position. This enforces the restriction that both *boundary-points* of a `Range` must have the same *root container*.

The start position of a `Range` is guaranteed to never be after the end position. To enforce this restriction, if the start is set to be at a position after the end, the range is *collapsed* [p.269] to that position. Similarly, if the end is set to be at a position before the start, the range is *collapsed* to that position.

It is also possible to set a Range's position relative to nodes in the tree:

```
void setStartBefore(in Node node);
                        raises(RangeException);
void setStartAfter(in Node node);
                        raises(RangeException);
void setEndBefore(in Node node);
                        raises(RangeException);
void setEndAfter(in Node node);
                        raises(RangeException);
```

The parent of the node becomes the *container* [p.267] of the *boundary-point* [p.267] and the Range is subject to the same restrictions as given above in the description of `setStart()` and `setEnd()`.

A Range can be *collapsed* [p.269] to either boundary-point:

```
void collapse(in boolean toStart);
```

Passing TRUE as the parameter `toStart` will *collapse* [p.269] the Range to its start, FALSE to its end.

Testing whether a Range is *collapsed* [p.269] can be done by examining the `collapsed` attribute:

```
readonly attribute boolean collapsed;
```

The following methods can be used to make a range select the contents of a node or the node itself.

```
void selectNode(in Node n);
void selectNodeContents(in Node n);
```

The following examples demonstrate the operation of the methods `selectNode` and `selectNodeContents`:

Before:

```
^<BAR><FOO>A<MOO>B</MOO>C</FOO></BAR>
```

After `range.selectNodeContents(FOO)`:

```
<BAR><FOO>A<MOO>B</MOO>C</FOO></BAR>
```

(In this case, FOO is the parent of both boundary-points)

After `range.selectNode(FOO)`:

```
<BAR><FOO>A<MOO>B</MOO>C</FOO></BAR>
```

8.5. Comparing Range Boundary-Points

It is possible to compare two Ranges by comparing their boundary-points:

```
int compareBoundaryPoints(in CompareHow how, in Range sourceRange) raises(RangeException);
```

where `CompareHow` is one of four values: `START_TO_START`, `START_TO_END`, `END_TO_END` and `END_TO_START`. The return value is -1, 0 or 1 depending on whether the corresponding boundary-point of the Range is before, equal to, or after the corresponding boundary-point of `sourceRange`. An exception is thrown if the two Ranges have different *root container* [p.268] s.

The result of comparing two boundary-points (or positions) is specified below. An informal but not always correct specification is that an boundary-point is before, equal to, or after another if it corresponds to a location in a text representation before, equal to, or after the other's corresponding location.

Let A and B be two boundary-points or positions. Then one of the following holds: A is *before* B, A is *equal to* B, or A is *after* B. Which one holds is specified in the following by examining four cases:

In the first case the boundary-points have the same *container* [p.267]. A is *before* B if its *offset* [p.267] is less than the *offset* of B, A is *equal to* B if its *offset* is equal to the *offset* of B, and A is *after* B if its *offset* is greater than the *offset* of B.

In the second case a child C of the *container* [p.267] of A is an *ancestor container* [p.267] of B. In this case, A is *before* B if the *offset* [p.267] of A is less than or equal to the index of the child C and A is *after* B otherwise.

In the third case a child C of the *container* [p.267] of B is an *ancestor container* [p.267] of A. In this case, A is *before* B if the index of the child C is less than the *offset* [p.267] of B and A is *after* B otherwise.

In the fourth case, none of three other cases hold: the containers of A and B are siblings or descendants of sibling nodes. In this case, A is *before* B if the *container* [p.267] of A is before the *container* of B in a pre-order traversal of the Ranges' *context tree* [p.268] and A is *after* B otherwise.

Note that because the same location in a text representation of the document can correspond to two different positions in the DOM tree, it is possible for two boundary-points to not compare equal even though they would be equal in the text representation. For this reason, the informal definition above can sometimes be incorrect.

8.6. Deleting Content with a Range

One can delete the contents selected by a Range with:

```
void deleteContents();
```

`deleteContents()` deletes all nodes and characters selected by the Range. All other nodes and characters remain in the *context tree* [p.268] of the Range. Some examples of this deletion operation are:

```
(1) <FOO>AB<MOO>CD</MOO>CD</FOO>  -->
<FOO>A^CD</FOO>
```

```
(2) <FOO>A<MOO>BC</MOO>DE</FOO>  -->
<FOO>A<MOO>B</MOO>^E</FOO>
```

```
(3) <FOO>XY<BAR>ZW</BAR>Q</FOO>  -->
<FOO>X^<BAR>W</BAR>Q</FOO>
```

```
(4)
<FOO><BAR1>AB</BAR1><BAR2></BAR2><BAR3>CD</BAR3></FOO>
--> <FOO><BAR1>A</BAR1>^<BAR3>D</BAR3>
```


After `deleteContents()` is invoked on a Range, the Range is *collapsed* [p.269]. If no node was *partially selected* [p.269] by the Range, then it is *collapsed* to its original start point, as in example (1). If a node was *partially selected* by the Range and was an *ancestor container* [p.267] of the start of the Range and no ancestor of the node satisfies these two conditions, then the Range is collapsed to the position immediately after the node, as in examples (2) and (4). If a node was *partially selected* by the Range and was an *ancestor container* of the end of the Range and no ancestor of the node satisfies these two conditions, then the Range is collapsed to the position immediately before the node, as in examples (3) and (4).

8.7. Extracting Content

If the contents of a range need to be extracted rather than deleted, the following method may be used:

```
DocumentFragment extractContents();
```

The `extractContents()` method removes nodes from the Range's *context tree* [p.268] similarly to the `deleteContents()` method. In addition, it places the deleted contents in a new `DocumentFragment`. The following examples illustrate the contents of the returned document fragment:

```
(1) <FOO>AB<MOO>CD</MOO>CD</FOO>  -->
B<MOO>CD</MOO>
```

```
(2) <FOO>A<MOO>BC</MOO>DE</FOO>  -->
<MOO>C<MOO>D
```

```
(3) <FOO>XY<BAR>ZW</BAR>Q</FOO>  -->
Y<BAR>Z</BAR>
```

```
(4)
<FOO><BAR1>AB</BAR1><BAR2/><BAR3>CD</BAR3></FOO>
--> <BAR1>B</BAR1><BAR2/><BAR3>C</BAR3>
```

It is important to note that nodes that are *partially selected* [p.269] by the range are cloned. Since part of such a node's contents must remain in the Range's *context tree* [p.268] and part of the contents must be moved to the new fragment, a clone of the *partially selected* node is included in the new fragment. Note that cloning does not take place for *selected* [p.269] elements; these nodes are moved to the new fragment.

8.8. Cloning Content

The contents of a range may be duplicated using the following method:

```
DocumentFragment cloneContents();
```

This method returns a `DocumentFragment` that is similar to the one returned by the method `extractContents()`. However, in this case, the original nodes and character data in the Range are not removed from the Range's *context tree* [p.268]. Instead, all of the nodes and text content within the returned `DocumentFragment` are cloned.

8.9. Inserting Content

A node may be inserted into a range using the following method:

```
void insertNode(in Node n) raises(RangeException);
```

The `insertNode()` method inserts the specified node into the Range's *context tree* [p.268]. For this method, the end of the range is ignored and the node is inserted at the start of the range.

The Node passed into this method can be a DocumentFragment. In that case, the contents of the fragment are inserted at the start position of the range, but the fragment itself is not. Note that if the Node represents the root of a sub-tree, the entire sub-tree is inserted.

The same rules that apply to the `insertBefore()` method on the Node interface apply here. Specifically, the Node passed in, if it already has a parent, will be removed from its existing position.

8.10. Surrounding Content

The insertion of a single node to subsume the content selected by a Range can be performed with:

```
void surroundContents(in Node n);
```

The `surroundContents()` method causes all of the content selected by the range to be rooted by the specified node. Calling `surroundContents()` with the node FOO in the following examples yields:

Before:

```
<BAR>AB<MOO>C</MOO>DE</BAR>
```

After `surroundContents(FOO)`:

```
<BAR>A<FOO>B<MOO>C</MOO>D</FOO>E</BAR>
```

Another way of describing the effect of this method on the Range's *context tree* [p.268] is to decompose it in terms of other operations:

1. Remove the contents selected by the range with a call to `extractContents()`.
2. Insert node where the range is now collapsed (after the extraction) with `insertNode()`.
3. Insert the entire contents of the extracted fragment into node. Specifically, invoke the `appendChild()` on node passing in the DocumentFragment returned as a result of the call to `extractContents()`.
4. Select node and all of its contents with `selectNode()`.

The `surroundContents()` method raises an exception if the range *partially selects* [p.269] a non-Text node. An example of a range for which `surroundContents()` raises an exception is:

```
<FOO>AB<BAR>CD</BAR>E</FOO>
```

If node has any children, those children are removed before its insertion. Also, if node already has a parent, it is removed from the original parent's `childNodes` list.

8.11. Miscellaneous Members

One can clone a Range:

```
Range cloneRange();
```

This creates a new Range which selects exactly the same content as that selected by the Range on which the method `cloneRange` was invoked. No content is affected by this operation.

Because the boundary-points of a range do not necessarily have the same *container* [p.267] s, use:

```
readonly attribute Node commonAncestorContainer;
```

to get the *ancestor container* [p.267] of both boundary-points that is furthest down from the Range's *root container* [p.268]

One can get a copy of all the character data selected or partially selected by a range with:

```
DOMString toString();
```

This does nothing more than simply concatenate all the character data selected by the range. This includes character data in both `Text` [p.67] and `CDATASection` [p.69] nodes.

8.12. Range modification under document mutation

As a document is modified, the Ranges within the document need to be updated. For example, if one boundary-point of a Range is within a node and that node is removed from the document, then the Range would be invalid unless it is fixed up in some way. This section describes how Ranges are modified under document mutations so that they remain valid.

There are two general principles which apply to Ranges under document mutation: The first is that all Ranges in a document will remain valid after any mutation operation and the second is that, as much as possible, all Ranges will select the same portion of the document after any mutation operation.

Any mutation of the document tree which affect Ranges can be considered to be a combination of basic delete and insertion operations. In fact, it can be convenient to think of those operations as being accomplished using the `deleteContents()` and `insertNode()` Range methods.

8.12.1. Insertions

An insertion occurs at a single point, the insertion point, in the document. For any Range in the document tree, consider each boundary-point. The only case in which the boundary-point will be changed after the insertion is when the boundary-point and the insertion point have the same *container* [p.267] and the *offset* [p.267] of the insertion point is strictly less than the *offset* of the Range's boundary-point. In that case the *offset* of the Range's boundary-point will be increased so that it is between the same nodes or characters as it was before the insertion.

Note that when content is inserted at a boundary-point, it is ambiguous as to where the boundary-point should be repositioned if its relative position is to be maintained. There are two possibilities: at the start or at the end of the newly inserted content. We have chosen that in this case neither the *container* [p.267] nor *offset* [p.267] of the boundary-point is changed. As a result, it will be positioned at the start of the newly inserted content.

Examples:

Suppose the Range selects the following:

```
<P>Abcd efgh XY blah ijkl</P>
```

Consider the insertion of the text "*inserted text*" at the following positions:

1. Before the 'X':

```
<P>Abcd efgh inserted textXY blah ijkl</P>
```

2. After the 'X':

```
<P>Abcd efgh Xinserted textY blah ijkl</P>
```

3. After the 'Y':

```
<P>Abcd efgh XYinserted text blah ijkl</P>
```

4. After the 'h' in "Y blah":

```
<P>Abcd efgh XY blahinserted text ijkl</P>
```

8.12.2. Deletions

Any deletion from the document tree can be considered as a sequence of `deleteContents()` operations applied to a minimal set of disjoint Ranges. To specify how a Range is modified under deletions we need only to consider what happens to a Range under a single `deleteContents()` operation of another Range. And, in fact, we need only to consider what happens to a single boundary-point of the Range since both boundary-points are modified using the same algorithm.

If a boundary-point is within the content being deleted, then after the deletion it will be at the same position as the one common to the boundary-points of the Range used to delete the contents.

If a boundary-point is after the content being deleted then it is not affected by the deletion unless its *container* [p.267] is also the *container* of one of the boundary-points of the range being deleted. If there is such a common *container*, then the index of the boundary-point is modified so that the boundary-point maintains its position relative to the content of the *container*.

If a boundary-point is before the content being deleted then it is not affected by the deletion at all.

Examples:

In these examples, the Range on which `deleteContents()` is invoked is indicated by the underline.

Example 1.

Before:

```
<P>Abcd efgh The Range
ijkl</P>
```

After:

```
<P>Abcd Range ijkl</P>
```

Example 2.

Before:

```
<p>Abcd efgh The Range ijkl</p>
```

After:

```
<p>Abcd ^kl</p>
```

Example 3.

Before:

```
<P>ABCD efgh The
Range ijkl</P>
```

After:

```
<P>ABCD ange ijkl</P>
```

In this example, the container of the start boundary-point after the deletion is the Text node holding the string "ange".

Example 4.

Before:

```
<P>Abcd efgh The Range ijkl</P>
```

After:

```
<P>Abcd he Range ijkl</P>
```

Example 5.

Before:

```
<P>Abcd <EM>efgh The Range
ij</EM>kl</P>
```

After:

```
<P>Abcd ^kl</P>
```

8.13. Formal Description of the Range Interface

To summarize, the complete, formal description of the Range [p.278] interface is given below:

Interface *Range* (introduced in **DOM Level 2**)

IDL Definition

```
// Introduced in DOM Level 2:
interface Range {
    readonly attribute Node          startContainer;
                                     // raises(DOMException) on retrieval

    readonly attribute long         startOffset;
                                     // raises(DOMException) on retrieval

    readonly attribute Node         endContainer;
                                     // raises(DOMException) on retrieval

    readonly attribute long         endOffset;
                                     // raises(DOMException) on retrieval

    readonly attribute boolean      collapsed;
                                     // raises(DOMException) on retrieval

    readonly attribute Node         commonAncestorContainer;
                                     // raises(DOMException) on retrieval

    void          setStart(in Node refNode,
                          in long offset)
                  raises(RangeException,
                        DOMException);

    void          setEnd(in Node refNode,
                        in long offset)
                  raises(RangeException,
                        DOMException);

    void          setStartBefore(in Node refNode)
                  raises(RangeException,
                        DOMException);

    void          setStartAfter(in Node refNode)
                  raises(RangeException,
                        DOMException);

    void          setEndBefore(in Node refNode)
                  raises(RangeException,
                        DOMException);

    void          setEndAfter(in Node refNode)
                  raises(RangeException,
```

8.13. Formal Description of the Range Interface

```
DOMException);
void collapse(in boolean toStart)
                raises(DOMException);
void selectNode(in Node refNode)
                raises(RangeException,
                    DOMException);
void selectNodeContents(in Node refNode)
                raises(RangeException,
                    DOMException);
// CompareHow
const unsigned short START_TO_START = 0;
const unsigned short START_TO_END = 1;
const unsigned short END_TO_END = 2;
const unsigned short END_TO_START = 3;

short compareBoundaryPoints(in unsigned short how,
                            in Range sourceRange)
                raises(DOMException);
void deleteContents()
                raises(DOMException);
DocumentFragment extractContents()
                raises(DOMException);
DocumentFragment cloneContents()
                raises(DOMException);
void insertNode(in Node newNode)
                raises(DOMException,
                    RangeException);
void surroundContents(in Node newParent)
                raises(DOMException,
                    RangeException);
Range cloneRange()
                raises(DOMException);
DOMString toString()
                raises(DOMException);
void detach()
                raises(DOMException);
};
```

Definition group *CompareHow*

Passed as a parameter to the `compareBoundaryPoints` method.

Defined Constants

END_TO_END	Compare end boundary-point of <code>sourceRange</code> to end boundary-point of <code>Range</code> on which <code>compareBoundaryPoints</code> is invoked.
END_TO_START	Compare end boundary-point of <code>sourceRange</code> to start boundary-point of <code>Range</code> on which <code>compareBoundaryPoints</code> is invoked.
START_TO_END	Compare start boundary-point of <code>sourceRange</code> to end boundary-point of <code>Range</code> on which <code>compareBoundaryPoints</code> is invoked.
START_TO_START	Compare start boundary-point of <code>sourceRange</code> to start boundary-point of <code>Range</code> on which <code>compareBoundaryPoints</code> is invoked.

Attributes

`collapsed` of type `boolean`, `readonly`

TRUE if the range is collapsed

Exceptions on retrieval

<code>DOMException</code> [p.24]	<code>INVALID_STATE_ERR</code> : Raised if <code>detach()</code> has already been invoked on this object.
-------------------------------------	---

`commonAncestorContainer` of type `Node` [p.39], `readonly`

The deepest common *ancestor container* [p.267] of the range's two boundary-points.

Exceptions on retrieval

<code>DOMException</code> [p.24]	<code>INVALID_STATE_ERR</code> : Raised if <code>detach()</code> has already been invoked on this object.
-------------------------------------	---

`endContainer` of type `Node` [p.39], `readonly`

Node within which the range ends

Exceptions on retrieval

<code>DOMException</code> [p.24]	<code>INVALID_STATE_ERR</code> : Raised if <code>detach()</code> has already been invoked on this object.
-------------------------------------	---

`endOffset` of type `long`, `readonly`

Offset within the ending node of the range.

Exceptions on retrieval

<code>DOMException</code> [p.24]	<code>INVALID_STATE_ERR</code> : Raised if <code>detach()</code> has already been invoked on this object.
-------------------------------------	---

`startContainer` of type `Node` [p.39] , readonly
Node within which the range begins

Exceptions on retrieval

<code>DOMException</code> [p.24]	<code>INVALID_STATE_ERR</code> : Raised if <code>detach()</code> has already been invoked on this object.
-------------------------------------	---

`startOffset` of type `long`, readonly
Offset within the starting node of the range.

Exceptions on retrieval

<code>DOMException</code> [p.24]	<code>INVALID_STATE_ERR</code> : Raised if <code>detach()</code> has already been invoked on this object.
-------------------------------------	---

Methods

`cloneContents`
Duplicates the contents of a range

Return Value

<code>DocumentFragment</code> [p.29]	A <code>DocumentFragment</code> containing contents equivalent to those of this range.
---	--

Exceptions

<code>DOMException</code> [p.24]	<code>HIERARCHY_REQUEST_ERR</code> : Raised if a <code>DocumentType</code> node would be extracted into the new <code>DocumentFragment</code> .
	<code>INVALID_STATE_ERR</code> : Raised if <code>detach()</code> has already been invoked on this object.

No Parameters

`cloneRange`
Produces a new range whose boundary-points are equal to the boundary-points of the range.

Return Value

<code>Range</code> [p.278]	The duplicated range.
----------------------------	-----------------------

Exceptions

DOMException [p.24] INVALID_STATE_ERR: Raised if detach() has already been invoked on this object.

No Parameters

collapse

Collapse a range onto one of its boundary-points

Parameters

boolean toStart If TRUE, collapses the Range onto its start; if FALSE, collapses it onto its end.

Exceptions

DOMException [p.24] INVALID_STATE_ERR: Raised if detach() has already been invoked on this object.

No Return Value

compareBoundaryPoints

Compare the boundary-points of two ranges in a document.

Parameters

unsigned short how
Range [p.278] sourceRange

Return Value

short -1, 0 or 1 depending on whether the corresponding boundary-point of the Range is before, equal to, or after the corresponding boundary-point of sourceRange.

Exceptions

DOMException [p.24] WRONG_DOCUMENT_ERR: Raised if the two Ranges are not in the same document or document fragment.

INVALID_STATE_ERR: Raised if detach() has already been invoked on this object.

deleteContents

Removes the contents of a range from the containing document or document fragment without returning a reference to the removed content.

Exceptions

DOMException [p.24]	NO_MODIFICATION_ALLOWED_ERR: Raised if any portion of the content of the range is read-only or any of the nodes that contain any of the content of the range are read-only.
	INVALID_STATE_ERR: Raised if detach() has already been invoked on this object.

**No Parameters
No Return Value**

detach

Called to indicate that the range is no longer in use and that the implementation may relinquish any resources associated with this range. Subsequent calls to any methods or attribute getters on this range will result in a DOMException [p.24] being thrown with an error code of INVALID_STATE_ERR.

Exceptions

DOMException [p.24]	INVALID_STATE_ERR: Raised if detach() has already been invoked on this object.
------------------------	---

**No Parameters
No Return Value**

extractContents

Moves the contents of a range from the containing document or document fragment to a new DocumentFragment.

Return Value

DocumentFragment [p.29]	A DocumentFragment containing the extracted contents.
----------------------------	---

Exceptions

DOMException [p.24] NO_MODIFICATION_ALLOWED_ERR: Raised if any portion of the content of the range is read-only or any of the nodes which contain any of the content of the range are read-only.

HIERARCHY_REQUEST_ERR: Raised if a DocumentType node would be extracted into the new DocumentFragment.

INVALID_STATE_ERR: Raised if detach() has already been invoked on this object.

No Parameters

insertNode

Inserts a node into the document or document fragment at the start of the range.

Parameters

Node [p.39]	newNode	The node to insert at the start of the range
-------------	---------	--

Exceptions

DOMException [p.24]	NO_MODIFICATION_ALLOWED_ERR: Raised if an <i>ancestor container</i> [p.267] of the start of the range is read-only.
	WRONG_DOCUMENT_ERR: Raised if <i>newNode</i> and the <i>container</i> [p.267] of the start of the Range were not created from the same document.
	HIERARCHY_REQUEST_ERR: Raised if the <i>container</i> [p.267] of the start of the Range is of a type that does not allow children of the type of <i>newNode</i> or if <i>newNode</i> is an ancestor of the <i>container</i> .
	INVALID_STATE_ERR: Raised if detach() has already been invoked on this object.
RangeException [p.290]	INVALID_NODE_TYPE_ERR: Raised if <i>node</i> is an Attr, Entity, Notation, DocumentFragment, or Document node.

No Return Value

selectNode

Select a node and its contents

Parameters

Node [p.39]	refNode	The node to select.
-------------	---------	---------------------

Exceptions

RangeException [p.290]		INVALID_NODE_TYPE_ERR: Raised if an ancestor of refNode is an Entity, Notation or DocumentType node or if refNode is a Document, DocumentFragment, Attr, Entity, or Notation node.
---------------------------	--	--

DOMException [p.24]		INVALID_STATE_ERR: Raised if detach() has already been invoked on this object.
------------------------	--	--

No Return Value

selectNodeContents
Select the contents within a node

Parameters

Node [p.39]	refNode	Node to select from
-------------	---------	---------------------

Exceptions

RangeException [p.290]		INVALID_NODE_TYPE_ERR: Raised if refNode or an ancestor of refNode is an Entity, Notation or DocumentType node.
---------------------------	--	---

DOMException [p.24]		INVALID_STATE_ERR: Raised if detach() has already been invoked on this object.
------------------------	--	--

No Return Value

setEnd
Sets the attributes describing the end of a range.

Parameters

Node [p.39]	refNode	The refNode value. This parameter must be different from null.
long	offset	The endOffset value.

Exceptions

RangeException [p.290]	INVALID_NODE_TYPE_ERR: Raised if <code>refNode</code> or an ancestor of <code>refNode</code> is an Entity, Notation, or DocumentType node.
DOMException [p.24]	INDEX_SIZE_ERR: Raised if <code>offset</code> is negative or greater than the number of child units in <code>refNode</code> . Child units are 16-bit units if <code>refNode</code> is a CharacterData, Comment or ProcessingInstruction node. Child units are Nodes in all other cases.
	INVALID_STATE_ERR: Raised if <code>detach()</code> has already been invoked on this object.

No Return Value`setEndAfter`

Sets the end of a range to be after a node

Parameters

Node [p.39]	<code>refNode</code>	Range ends after <code>refNode</code> .
-------------	----------------------	---

Exceptions

RangeException [p.290]	INVALID_NODE_TYPE_ERR: Raised if the root container of <code>refNode</code> is not an Attr, Document or DocumentFragment node or if <code>refNode</code> is a Document, DocumentFragment, Attr, Entity, or Notation node.
DOMException [p.24]	INVALID_STATE_ERR: Raised if <code>detach()</code> has already been invoked on this object.

No Return Value`setEndBefore`

Sets the end position to be before a node.

Parameters

Node [p.39]	<code>refNode</code>	Range ends before <code>refNode</code>
-------------	----------------------	--

Exceptions

RangeException [p.290]	INVALID_NODE_TYPE_ERR: Raised if the root container of <code>refNode</code> is not an Attr, Document, or DocumentFragment node or if <code>refNode</code> is a Document, DocumentFragment, Attr, Entity, or Notation node.
DOMException [p.24]	INVALID_STATE_ERR: Raised if <code>detach()</code> has already been invoked on this object.

No Return Value`setStart`

Sets the attributes describing the start of the range.

Parameters

Node [p.39]	<code>refNode</code>	The <code>refNode</code> value. This parameter must be different from <code>null</code> .
<code>long</code>	<code>offset</code>	The <code>startOffset</code> value.

Exceptions

RangeException [p.290]	INVALID_NODE_TYPE_ERR: Raised if <code>refNode</code> or an ancestor of <code>refNode</code> is an Entity, Notation, or DocumentType node.
DOMException [p.24]	INDEX_SIZE_ERR: Raised if <code>offset</code> is negative or greater than the number of child units in <code>refNode</code> . Child units are 16-bit units if <code>refNode</code> is a CharacterData, Comment or ProcessingInstruction node. Child units are Nodes in all other cases.
	INVALID_STATE_ERR: Raised if <code>detach()</code> has already been invoked on this object.

No Return Value`setStartAfter`

Sets the start position to be after a node

Parameters

Node [p.39]	<code>refNode</code>	Range starts after <code>refNode</code>
-------------	----------------------	---

Exceptions

RangeException [p.290]	INVALID_NODE_TYPE_ERR: Raised if the root container of <code>refNode</code> is not an Attr, Document, or DocumentFragment node or if <code>refNode</code> is a Document, DocumentFragment, Attr, Entity, or Notation node.
DOMException [p.24]	INVALID_STATE_ERR: Raised if <code>detach()</code> has already been invoked on this object.

No Return Value`setStartBefore`

Sets the start position to be before a node

Parameters

Node [p.39]	<code>refNode</code>	Range starts before <code>refNode</code>
-------------	----------------------	--

Exceptions

RangeException [p.290]	INVALID_NODE_TYPE_ERR: Raised if the root container of <code>refNode</code> is not an Attr, Document, or DocumentFragment node or if <code>refNode</code> is a Document, DocumentFragment, Attr, Entity, or Notation node.
DOMException [p.24]	INVALID_STATE_ERR: Raised if <code>detach()</code> has already been invoked on this object.

No Return Value`surroundContents`

Reparents the contents of the range to the given node and inserts the node at the position of the start of the range.

Parameters

Node [p.39]	<code>newParent</code>	The node to surround the contents with.
-------------	------------------------	---

Exceptions

DOMException [p.24]	<p>NO_MODIFICATION_ALLOWED_ERR: Raised if an <i>ancestor container</i> [p.267] of either boundary-point of the range is read-only.</p> <p>WRONG_DOCUMENT_ERR: Raised if <code>newParent</code> and the <i>container</i> [p.267] of the start of the Range were not created from the same document.</p> <p>HIERARCHY_REQUEST_ERR: Raised if the <i>container</i> [p.267] of the start of the Range is of a type that does not allow children of the type of <code>newParent</code> or if <code>newParent</code> is an ancestor of the <i>container</i> or if <code>node</code> would end up with a child node of a type not allowed by the type of <code>node</code>.</p> <p>INVALID_STATE_ERR: Raised if <code>detach()</code> has already been invoked on this object.</p>
RangeException [p.290]	<p>BAD_BOUNDARYPOINTS_ERR: Raised if the range <i>partially selects</i> [p.269] a non-text node.</p> <p>INVALID_NODE_TYPE_ERR: Raised if <code>node</code> is an Attr, Entity, DocumentType, Notation, Document, or DocumentFragment node.</p>

No Return Value

`toString`

Returns the contents of a range as a string.

Return Value

DOMString [p.21] The contents of the range.

Exceptions

DOMException [p.24]	INVALID_STATE_ERR: Raised if <code>detach()</code> has already been invoked on this object.
------------------------	---

No Parameters

Interface *DocumentRange* (introduced in **DOM Level 2**)

IDL Definition

```
// Introduced in DOM Level 2:
interface DocumentRange {
    Range                createRange();
};
```

Methods`createRange`

This interface can be obtained from the object implementing the `Document` [p.29] interface using binding-specific casting methods.

Return Value

<code>Range</code> [p.278]	The initial state of the range returned from this method is such that both of its boundary-points are positioned at the beginning of the corresponding <code>Document</code> , before any content. The range returned can only be used to select content associated with this <code>Document</code> , or with <code>DocumentFragments</code> and <code>Attrs</code> for which this <code>Document</code> is the <code>ownerDocument</code> .
-------------------------------	--

No Parameters**No Exceptions****Exception *RangeException* introduced in DOM Level 2**

Range operations may throw a `RangeException` [p.290] as specified in their method descriptions.

IDL Definition

```
// Introduced in DOM Level 2:
exception RangeException {
    unsigned short    code;
};

// RangeExceptionCode
const unsigned short    BAD_BOUNDARYPOINTS_ERR        = 1;
const unsigned short    INVALID_NODE_TYPE_ERR        = 2;
```

Definition group *RangeExceptionCode*

An integer indicating the type of error generated.

Defined Constants

BAD_BOUNDARYPOINTS_ERR	If the boundary-points of a range do not meet specific requirements.
INVALID_NODE_TYPE_ERR	If the <i>container</i> [p.267] of an boundary-point of a range is being set to either a node of an invalid type or a node with an ancestor of an invalid type.

Appendix A: Changes

Editors

Arnaud Le Hors, W3C
Philippe Le Hégarret, W3C

A.1: Changes between DOM Level 1 and DOM Level 2

A.1.1: Changes to DOM Level 1 interfaces and exceptions

Interface Attr [p.57]

The Attr [p.57] interface has one new attribute: `ownerElement`.

Interface Document [p.29]

The Document [p.29] interface has five new methods: `importNode`, `createElementNS`, `createAttributeNS`, `getElementsByNameNS` and `getElementById`.

Interface NamedNodeMap [p.49]

The NamedNodeMap [p.49] interface has three new methods: `getNamedItemNS`, `setNamedItemNS`, `removeNamedItemNS`.

Interface Node [p.39]

The Node [p.39] interface has two new methods: `supports` and `normalize`.

The Node [p.39] interface has three new attributes: `namespaceURI`, `prefix` and `localName`.

The `ownerDocument` attribute was specified to be `null` when the node is a Document [p.29]. It now is also `null` when the node is a DocumentType [p.69] which is not used with any Document yet.

Interface DocumentType [p.69]

The DocumentType [p.69] interface has three attributes: `publicId`, `systemId` and `internalSubset`.

Interface DOMImplementation [p.26]

The DOMImplementation [p.26] interface has two new methods: `createDocumentType` and `createDocument`.

Interface Element [p.59]

The Element [p.59] interface has eight new methods: `getAttributeNS`, `setAttributeNS`, `removeAttributeNS`, `getAttributeNodeNS`, `setAttributeNodeNS`, `getElementsByNameNS`, `hasAttribute` and `hasAttributeNS`.

The method `normalize` is now inherited from the Node [p.39] interface where it was moved.

Exception DOMException [p.24]

The DOMException [p.24] has five new exception codes: `INVALID_STATE_ERR`, `SYNTAX_ERR`, `INVALID_MODIFICATION_ERR`, `NAMESPACE_ERR` and `INVALID_ACCESS_ERR`.

A.1.2: New features

A.1.2.1: New types

DOMTimeStamp [p.22]

The DOMTimeStamp [p.22] type was added to the Core module.

A.1.2.2: New interfaces

HTML [p.75]

The HTMLDOMImplementation [p.76] interface was added to the HTML module.

On the HTMLDocument [p.78] interface, the method getElementById is now inherited from the Document [p.29] interface where it was moved.

On the HTMLFrameElement [p.123], HTMLIFrameElement [p.124], and HTMLObjectElement [p.108] interfaces the attribute contentDocument was added.

Views [p.127]

This new module defines the interfaces AbstractView [p.127] and DocumentView [p.128].

StyleSheets [p.129]

This new module defines the following interfaces: StyleSheet [p.129], StyleSheetList [p.130], MediaList [p.131], DocumentStyle [p.133] and LinkStyle [p.133].

CSS [p.135]

This new module defines the following interfaces: CSS2Azimuth [p.165], CSS2BackgroundPosition [p.167], CSS2BorderSpacing [p.170], CSS2CounterIncrement [p.173], CSS2CounterReset [p.173], CSS2Cursor [p.174], CSS2FontFaceSrc [p.178], CSS2FontFaceWidths [p.178], CSS2PageSize [p.179], CSS2PlayDuring [p.175], CSS2Properties [p.182], CSS2TextShadow [p.176], CSSCharsetRule [p.144], CSSFontFaceRule [p.142], CSSImportRule [p.143], CSSMediaRule [p.140], CSSPageRule [p.143], CSSPrimitiveValue [p.149], CSSRule [p.138], CSSRuleList [p.138], CSSStyleDeclaration [p.145], CSSStyleRule [p.140], CSSStyleSheet [p.136], CSSUnknownRule [p.144], CSSValue [p.148], CSSValueList [p.156], Counter [p.157], RGBColor [p.156], Rect [p.157], ViewCSS [p.158], DocumentCSS [p.159], DOMImplementationCSS [p.160] and ElementCSSInlineStyle [p.161].

Events [p.221]

This new module defines the following interfaces: Event [p.227], EventListener [p.226], EventTarget [p.224], DocumentEvent [p.231], MutationEvent [p.239], UIEvent [p.232] and MouseEvent [p.234], and the exception EventException [p.230].

Traversal [p.245]

This new module defines the following interfaces: NodeFilter [p.256], NodeIterator [p.254], TreeWalker [p.260], and DocumentTraversal [p.263].

Range [p.267]

This new module defines the interfaces Range [p.278], DocumentRange [p.289] and the exception RangeException [p.290].

Appendix B: Accessing code point boundaries

Mark Davis, IBM
Lauren Wood, SoftQuad Software Inc.

B.1: Introduction

This appendix is an informative, not a normative, part of the Level 2 DOM specification.

Characters are represented in Unicode by numbers called *code points* (also called *scalar values*). These numbers can range from 0 up to $1,114,111 = 10FFFF_{16}$ (although some of these values are illegal). Each code point can be directly encoded with a 32-bit code unit. This encoding is termed UCS-4 (or UTF-32). The DOM specification, however, uses UTF-16, in which the most frequent characters (which have values less than $FFFF_{16}$) are represented by a single 16-bit code unit, while characters above $FFFF_{16}$ use a special pair of code units called a *surrogate pair*. For more information, see [Unicode] or the Unicode Web site.

While indexing by code points as opposed to code units is not common in programs, some specifications such as XPath (and therefore XSLT and XPointer) use code point indices. For interfacing with such formats it is recommended that the programming language provide string processing methods for converting code point indices to code unit indices and back. Some languages do not provide these functions natively; for these it is recommended that the native `String` type that is bound to `DOMString` [p.21] be extended to enable this conversion. An example of how such an API might look is supplied below.

Note: Since these methods are supplied as an illustrative example of the type of functionality that is required, the names of the methods, exceptions, and interface may differ from those given here.

B.2: Methods

Interface *StringExtend*

Extensions to a language's native `String` class or interface

IDL Definition

```
interface StringExtend {
    int findOffset16(in int offset32)
                                     raises(StringIndexOutOfBoundsException);
    int findOffset32(in int offset16)
                                     raises(StringIndexOutOfBoundsException);
};
```

Methods

`findOffset16`
Returns the UTF-16 offset that corresponds to a UTF-32 offset. Used for random access.

Note: You can always roundtrip from a UTF-32 offset to a UTF-16 offset and back. You can roundtrip from a UTF-16 offset to a UTF-32 offset and back if and only if the offset16 is not in the middle of a surrogate pair. Unmatched surrogates count as a single UTF-16 value.

Parameters

`int` `offset32` UTF-32 offset.

Return Value

`int` UTF-16 offset

Exceptions

`StringIndexOutOfBoundsException` if `offset32` is out of bounds.

`findOffset32`

Returns the UTF-32 offset corresponding to a UTF-16 offset. Used for random access. To find the UTF-32 length of a string, use:

```
len32 = findOffset32(source, source.length());
```

Note: If the UTF-16 offset is into the middle of a surrogate pair, then the UTF-32 offset of the *end* of the pair is returned; that is, the index of the char after the end of the pair. You can always roundtrip from a UTF-32 offset to a UTF-16 offset and back. You can roundtrip from a UTF-16 offset to a UTF-32 offset and back if and only if the offset16 is not in the middle of a surrogate pair. Unmatched surrogates count as a single UTF-16 value.

Parameters

`int` `offset16` UTF-16 offset

Return Value

`int` UTF-32 offset

Exceptions

`StringIndexOutOfBoundsException` if `offset16` is out of bounds.

Appendix C: IDL Definitions

This appendix contains the complete OMG IDL for the Level 2 Document Object Model definitions. The definitions are divided into Core [p.295] , HTML [p.300] , Stylesheets [p.310] , CSS [p.311] , Events [p.325] , TreeWalkers, Filters, and Iterators [p.327] , and Range [p.329] .

The IDL files are also available as: <http://www.w3.org/TR/2000/CR-DOM-Level-2-20000307/idl.zip>

C.1: Document Object Model Core

dom.idl:

```
// File: dom.idl
#ifndef _DOM_IDL_
#define _DOM_IDL_

#pragma prefix "w3c.org"
module dom
{
    typedef sequence<unsigned short> DOMString;

    typedef    unsigned long long DOMTimeStamp;

    interface DocumentType;
    interface Document;
    interface NodeList;
    interface NamedNodeMap;
    interface Element;

    exception DOMException {
        unsigned short    code;
    };

    // ExceptionCode
    const unsigned short    INDEX_SIZE_ERR            = 1;
    const unsigned short    DOMSTRING_SIZE_ERR       = 2;
    const unsigned short    HIERARCHY_REQUEST_ERR    = 3;
    const unsigned short    WRONG_DOCUMENT_ERR       = 4;
    const unsigned short    INVALID_CHARACTER_ERR    = 5;
    const unsigned short    NO_DATA_ALLOWED_ERR      = 6;
    const unsigned short    NO_MODIFICATION_ALLOWED_ERR = 7;
    const unsigned short    NOT_FOUND_ERR            = 8;
    const unsigned short    NOT_SUPPORTED_ERR        = 9;
    const unsigned short    INUSE_ATTRIBUTE_ERR      = 10;
    // Introduced in DOM Level 2:
    const unsigned short    INVALID_STATE_ERR        = 11;
    // Introduced in DOM Level 2:
    const unsigned short    SYNTAX_ERR               = 12;
    // Introduced in DOM Level 2:
    const unsigned short    INVALID_MODIFICATION_ERR = 13;
    // Introduced in DOM Level 2:
    const unsigned short    NAMESPACE_ERR           = 14;
    // Introduced in DOM Level 2:
```

dom.idl:

```
const unsigned short      INVALID_ACCESS_ERR          = 15;

interface DOMImplementation {
    boolean                hasFeature(in DOMString feature,
                                     in DOMString version);

    // Introduced in DOM Level 2:
    DocumentType           createDocumentType(in DOMString qualifiedName,
                                             in DOMString publicId,
                                             in DOMString systemId)
                                             raises(DOMException);

    // Introduced in DOM Level 2:
    Document               createDocument(in DOMString namespaceURI,
                                         in DOMString qualifiedName,
                                         in DocumentType doctype)
                                         raises(DOMException);
};

interface Node {
    // NodeType
    const unsigned short   ELEMENT_NODE              = 1;
    const unsigned short   ATTRIBUTE_NODE            = 2;
    const unsigned short   TEXT_NODE                 = 3;
    const unsigned short   CDATA_SECTION_NODE        = 4;
    const unsigned short   ENTITY_REFERENCE_NODE     = 5;
    const unsigned short   ENTITY_NODE               = 6;
    const unsigned short   PROCESSING_INSTRUCTION_NODE = 7;
    const unsigned short   COMMENT_NODE              = 8;
    const unsigned short   DOCUMENT_NODE             = 9;
    const unsigned short   DOCUMENT_TYPE_NODE        = 10;
    const unsigned short   DOCUMENT_FRAGMENT_NODE    = 11;
    const unsigned short   NOTATION_NODE             = 12;

    readonly attribute DOMString      nodeName;
    attribute DOMString               nodeValue;
    // raises(DOMException) on setting
    // raises(DOMException) on retrieval

    readonly attribute unsigned short  nodeType;
    readonly attribute Node            parentNode;
    readonly attribute NodeList        childNodes;
    readonly attribute Node            firstChild;
    readonly attribute Node            lastChild;
    readonly attribute Node            previousSibling;
    readonly attribute Node            nextSibling;
    readonly attribute NamedNodeMap    attributes;
    // Modified in DOM Level 2:
    readonly attribute Document        ownerDocument;
    Node                                insertBefore(in Node newChild,
                                                    in Node refChild)
                                           raises(DOMException);
    Node                                replaceChild(in Node newChild,
                                                    in Node oldChild)
                                           raises(DOMException);
    Node                                removeChild(in Node oldChild)
                                           raises(DOMException);
    Node                                appendChild(in Node newChild)
```


dom.idl:

```

        raises(DOMException);
boolean      hasChildNodes();
Node         cloneNode(in boolean deep);
// Introduced in DOM Level 2:
void         normalize();
// Introduced in DOM Level 2:
boolean      supports(in DOMString feature,
                      in DOMString version);
// Introduced in DOM Level 2:
readonly attribute DOMString      namespaceURI;
// Introduced in DOM Level 2:
attribute DOMString               prefix;
// raises(DOMException) on setting

// Introduced in DOM Level 2:
readonly attribute DOMString      localName;
};

interface NodeList {
    Node         item(in unsigned long index);
    readonly attribute unsigned long      length;
};

interface NamedNodeMap {
    Node         getNamedItem(in DOMString name);
    Node         setNamedItem(in Node arg)
                raises(DOMException);
    Node         removeNamedItem(in DOMString name)
                raises(DOMException);
    Node         item(in unsigned long index);
    readonly attribute unsigned long      length;
// Introduced in DOM Level 2:
    Node         getNamedItemNS(in DOMString namespaceURI,
                                in DOMString localName);
// Introduced in DOM Level 2:
    Node         setNamedItemNS(in Node arg)
                raises(DOMException);
// Introduced in DOM Level 2:
    Node         removeNamedItemNS(in DOMString namespaceURI,
                                    in DOMString localName)
                raises(DOMException);
};

interface CharacterData : Node {
    attribute DOMString      data;
// raises(DOMException) on setting
// raises(DOMException) on retrieval

    readonly attribute unsigned long      length;
    DOMString      substringData(in unsigned long offset,
                                in unsigned long count)
                raises(DOMException);
    void           appendData(in DOMString arg)
                raises(DOMException);
    void           insertData(in unsigned long offset,
                            in DOMString arg)
                raises(DOMException);
};
```

dom.idl:

```
void                deleteData(in unsigned long offset,
                               in unsigned long count)
                               raises(DOMException);
void                replaceData(in unsigned long offset,
                               in unsigned long count,
                               in DOMString arg)
                               raises(DOMException);
};

interface Attr : Node {
    readonly attribute DOMString    name;
    readonly attribute boolean     specified;
    attribute DOMString            value;
    // raises(DOMException) on setting

    // Introduced in DOM Level 2:
    readonly attribute Element      ownerElement;
};

interface Element : Node {
    readonly attribute DOMString    tagName;
    DOMString                       getAttribute(in DOMString name);
    void                             setAttribute(in DOMString name,
                                                  in DOMString value)
                                     raises(DOMException);
    void                             removeAttribute(in DOMString name)
                                     raises(DOMException);
    Attr                             getAttributeNode(in DOMString name);
    Attr                             setAttributeNode(in Attr newAttr)
                                     raises(DOMException);
    Attr                             removeAttributeNode(in Attr oldAttr)
                                     raises(DOMException);
    NodeList                         getElementsByTagName(in DOMString name);
    // Introduced in DOM Level 2:
    DOMString                       getAttributeNS(in DOMString namespaceURI,
                                                  in DOMString localName);
    // Introduced in DOM Level 2:
    void                             setAttributeNS(in DOMString namespaceURI,
                                                  in DOMString qualifiedName,
                                                  in DOMString value)
                                     raises(DOMException);
    // Introduced in DOM Level 2:
    void                             removeAttributeNS(in DOMString namespaceURI,
                                                  in DOMString localName)
                                     raises(DOMException);
    // Introduced in DOM Level 2:
    Attr                             getAttributeNodeNS(in DOMString namespaceURI,
                                                  in DOMString localName);
    // Introduced in DOM Level 2:
    Attr                             setAttributeNodeNS(in Attr newAttr)
                                     raises(DOMException);
    // Introduced in DOM Level 2:
    NodeList                         getElementsByTagNameNS(in DOMString namespaceURI,
                                                  in DOMString localName);
    // Introduced in DOM Level 2:
    boolean                          hasAttribute(in DOMString name);
    // Introduced in DOM Level 2:
```

dom.idl:

```
    boolean          hasAttributeNS(in DOMString namespaceURI,
                                   in DOMString localName);
};

interface Text : CharacterData {
    Text             splitText(in unsigned long offset)
                    raises(DOMException);
};

interface Comment : CharacterData {
};

interface CDATASection : Text {
};

interface DocumentType : Node {
    readonly attribute DOMString      name;
    readonly attribute NamedNodeMap   entities;
    readonly attribute NamedNodeMap   notations;
    // Introduced in DOM Level 2:
    readonly attribute DOMString      publicId;
    // Introduced in DOM Level 2:
    readonly attribute DOMString      systemId;
    // Introduced in DOM Level 2:
    readonly attribute DOMString      internalSubset;
};

interface Notation : Node {
    readonly attribute DOMString      publicId;
    readonly attribute DOMString      systemId;
};

interface Entity : Node {
    readonly attribute DOMString      publicId;
    readonly attribute DOMString      systemId;
    readonly attribute DOMString      notationName;
};

interface EntityReference : Node {
};

interface ProcessingInstruction : Node {
    readonly attribute DOMString      target;
    attribute DOMString               data;
    // raises(DOMException) on setting
};

interface DocumentFragment : Node {
};

interface Document : Node {
    readonly attribute DocumentType   doctype;
    readonly attribute DOMImplementation implementation;
    readonly attribute Element        documentElement;
    Element                           createElement(in DOMString tagName)
    raises(DOMException);
};
```

```

DocumentFragment  createDocumentFragment();
Text              createTextNode(in DOMString data);
Comment          createComment(in DOMString data);
CDATASection     createCDATASection(in DOMString data)
                  raises(DOMException);
ProcessingInstruction
createProcessingInstruction(in DOMString target,
                           in DOMString data)
                  raises(DOMException);
Attr             createAttribute(in DOMString name)
                  raises(DOMException);
EntityReference  createEntityReference(in DOMString name)
                  raises(DOMException);
NodeList         getElementsByTagName(in DOMString tagname);
// Introduced in DOM Level 2:
Node            importNode(in Node importedNode,
                           in boolean deep)
                  raises(DOMException);
// Introduced in DOM Level 2:
Element         createElementNS(in DOMString namespaceURI,
                                in DOMString qualifiedName)
                  raises(DOMException);
// Introduced in DOM Level 2:
Attr           createAttributeNS(in DOMString namespaceURI,
                                 in DOMString qualifiedName)
                  raises(DOMException);
// Introduced in DOM Level 2:
NodeList       getElementsByTagNameNS(in DOMString namespaceURI,
                                       in DOMString localName);
// Introduced in DOM Level 2:
Element        getElementById(in DOMString elementId);
};
};
#endif // _DOM_IDL_

```

C.2: Document Object Model HTML

html.idl:

```

// File: html.idl
#ifndef _HTML_IDL_
#define _HTML_IDL_

#include "dom.idl"

#pragma prefix "dom.w3c.org"
module html
{
    typedef dom::DOMString DOMString;
    typedef dom::Node Node;
    typedef dom::DOMImplementation DOMImplementation;
    typedef dom::Document Document;
    typedef dom::NodeList NodeList;
    typedef dom::Element Element;

```

html.idl:

```
interface HTMLDocument;
interface HTMLInputElement;
interface HTMLFormElement;
interface HTMLTableCaptionElement;
interface HTMLTableSectionElement;

interface HTMLCollection {
    readonly attribute unsigned long    length;
    Node                                item(in unsigned long index);
    Node                                namedItem(in DOMString name);
};

// Introduced in DOM Level 2:
interface HTMLDOMImplementation : DOMImplementation {
    HTMLDocument    createHTMLDocument(in DOMString title);
};

interface HTMLDocument : Document {
    attribute DOMString    title;
    readonly attribute DOMString    referrer;
    readonly attribute DOMString    domain;
    readonly attribute DOMString    URL;
    attribute HTMLInputElement    body;
    readonly attribute HTMLCollection    images;
    readonly attribute HTMLCollection    applets;
    readonly attribute HTMLCollection    links;
    readonly attribute HTMLCollection    forms;
    readonly attribute HTMLCollection    anchors;
    attribute DOMString    cookie;
    void    open();
    void    close();
    void    write(in DOMString text);
    void    writeln(in DOMString text);
    NodeList    getElementsByName(in DOMString elementName);
};

interface HTMLInputElement : Element {
    attribute DOMString    id;
    attribute DOMString    title;
    attribute DOMString    lang;
    attribute DOMString    dir;
    attribute DOMString    className;
};

interface HTMLHtmlElement : HTMLInputElement {
    attribute DOMString    version;
};

interface HTMLHeadElement : HTMLInputElement {
    attribute DOMString    profile;
};

interface HTMLLinkElement : HTMLInputElement {
    attribute boolean    disabled;
    attribute DOMString    charset;
    attribute DOMString    href;
    attribute DOMString    hreflang;
};
```

html.idl:

```
        attribute DOMString      media;
        attribute DOMString      rel;
        attribute DOMString      rev;
        attribute DOMString      target;
        attribute DOMString      type;
};

interface HTMLTitleElement : HTMLElement {
    attribute DOMString      text;
};

interface HTMLMetaElement : HTMLElement {
    attribute DOMString      content;
    attribute DOMString      httpEquiv;
    attribute DOMString      name;
    attribute DOMString      scheme;
};

interface HTMLBaseElement : HTMLElement {
    attribute DOMString      href;
    attribute DOMString      target;
};

interface HTMLIsIndexElement : HTMLElement {
    readonly attribute HTMLFormElement form;
    attribute DOMString      prompt;
};

interface HTMLStyleElement : HTMLElement {
    attribute boolean        disabled;
    attribute DOMString      media;
    attribute DOMString      type;
};

interface HTMLBodyElement : HTMLElement {
    attribute DOMString      aLink;
    attribute DOMString      background;
    attribute DOMString      bgColor;
    attribute DOMString      link;
    attribute DOMString      text;
    attribute DOMString      vLink;
};

interface HTMLFormElement : HTMLElement {
    readonly attribute HTMLCollection elements;
    readonly attribute long    length;
    attribute DOMString      name;
    attribute DOMString      acceptCharset;
    attribute DOMString      action;
    attribute DOMString      enctype;
    attribute DOMString      method;
    attribute DOMString      target;

    void      submit();
    void      reset();
};

interface HTMLSelectElement : HTMLElement {
```

html.idl:

```
readonly attribute DOMString      type;
        attribute long            selectedIndex;
        attribute DOMString       value;
readonly attribute long           length;
readonly attribute HTMLFormElement form;
readonly attribute HTMLCollection options;
        attribute boolean         disabled;
        attribute boolean         multiple;
        attribute DOMString       name;
        attribute long            size;
        attribute long            tabIndex;
void      add(in HTMLInputElement element,
              in HTMLInputElement before)
              raises(dom::DOMException);
void      remove(in long index);
void      blur();
void      focus();
};

interface HTMLOptGroupElement : HTMLInputElement {
        attribute boolean         disabled;
        attribute DOMString       label;
};

interface HTMLOptionElement : HTMLInputElement {
        readonly attribute HTMLFormElement form;
        attribute boolean         defaultSelected;
        readonly attribute DOMString text;
        readonly attribute long    index;
        attribute boolean         disabled;
        attribute DOMString       label;
        attribute boolean         selected;
        attribute DOMString       value;
};

interface HTMLInputElement : HTMLInputElement {
        attribute DOMString       defaultValue;
        attribute boolean         defaultChecked;
        readonly attribute HTMLFormElement form;
        attribute DOMString       accept;
        attribute DOMString       accessKey;
        attribute DOMString       align;
        attribute DOMString       alt;
        attribute boolean         checked;
        attribute boolean         disabled;
        attribute long            maxLength;
        attribute DOMString       name;
        attribute boolean         readOnly;
        attribute DOMString       size;
        attribute DOMString       src;
        attribute long            tabIndex;
        readonly attribute DOMString type;
        attribute DOMString       useMap;
        attribute DOMString       value;
void      blur();
void      focus();
void      select();
};
```

html.idl:

```
void          click();
};

interface HTMLTextAreaElement : HTMLElement {
    attribute DOMString      defaultValue;
    readonly attribute HTMLFormElement form;
    attribute DOMString      accessKey;
    attribute long           cols;
    attribute boolean        disabled;
    attribute DOMString      name;
    attribute boolean        readOnly;
    attribute long           rows;
    attribute long           tabIndex;
    readonly attribute DOMString type;
    attribute DOMString      value;
    void          blur();
    void          focus();
    void          select();
};

interface HTMLButtonElement : HTMLElement {
    readonly attribute HTMLFormElement form;
    attribute DOMString      accessKey;
    attribute boolean        disabled;
    attribute DOMString      name;
    attribute long           tabIndex;
    readonly attribute DOMString type;
    attribute DOMString      value;
};

interface HTMLLabelElement : HTMLElement {
    readonly attribute HTMLFormElement form;
    attribute DOMString      accessKey;
    attribute DOMString      htmlFor;
};

interface HTMLFieldSetElement : HTMLElement {
    readonly attribute HTMLFormElement form;
};

interface HTMLLegendElement : HTMLElement {
    readonly attribute HTMLFormElement form;
    attribute DOMString      accessKey;
    attribute DOMString      align;
};

interface HTMLUListElement : HTMLElement {
    attribute boolean        compact;
    attribute DOMString      type;
};

interface HTMLLOListElement : HTMLElement {
    attribute boolean        compact;
    attribute long           start;
    attribute DOMString      type;
};
```


html.idl:

```
interface HTMLDListElement : HTMLElement {
    attribute boolean    compact;
};

interface HTMLDirectoryElement : HTMLElement {
    attribute boolean    compact;
};

interface HTMLMenuElement : HTMLElement {
    attribute boolean    compact;
};

interface HTMLLIElement : HTMLElement {
    attribute DOMString  type;
    attribute long       value;
};

interface HTMLDivElement : HTMLElement {
    attribute DOMString  align;
};

interface HTMLParagraphElement : HTMLElement {
    attribute DOMString  align;
};

interface HTMLHeadingElement : HTMLElement {
    attribute DOMString  align;
};

interface HTMLQuoteElement : HTMLElement {
    attribute DOMString  cite;
};

interface HTMLPreElement : HTMLElement {
    attribute long       width;
};

interface HTMLBRElement : HTMLElement {
    attribute DOMString  clear;
};

interface HTMLBaseFontElement : HTMLElement {
    attribute DOMString  color;
    attribute DOMString  face;
    attribute DOMString  size;
};

interface HTMLFontElement : HTMLElement {
    attribute DOMString  color;
    attribute DOMString  face;
    attribute DOMString  size;
};

interface HTMLHRElement : HTMLElement {
    attribute DOMString  align;
    attribute boolean    noShade;
    attribute DOMString  size;
};
```

html.idl:

```
        attribute DOMString        width;
};

interface HTMLModElement : HTMLElement {
    attribute DOMString        cite;
    attribute DOMString        dateTime;
};

interface HTMLAnchorElement : HTMLElement {
    attribute DOMString        accessKey;
    attribute DOMString        charset;
    attribute DOMString        coords;
    attribute DOMString        href;
    attribute DOMString        hreflang;
    attribute DOMString        name;
    attribute DOMString        rel;
    attribute DOMString        rev;
    attribute DOMString        shape;
    attribute long            tabIndex;
    attribute DOMString        target;
    attribute DOMString        type;

    void            blur();
    void            focus();
};

interface HTMLImageElement : HTMLElement {
    attribute DOMString        lowSrc;
    attribute DOMString        name;
    attribute DOMString        align;
    attribute DOMString        alt;
    attribute DOMString        border;
    attribute DOMString        height;
    attribute DOMString        hspace;
    attribute boolean        isMap;
    attribute DOMString        longDesc;
    attribute DOMString        src;
    attribute DOMString        useMap;
    attribute DOMString        vspace;
    attribute DOMString        width;
};

interface HTMLObjectElement : HTMLElement {
    readonly attribute HTMLFormElement    form;
    attribute DOMString        code;
    attribute DOMString        align;
    attribute DOMString        archive;
    attribute DOMString        border;
    attribute DOMString        codeBase;
    attribute DOMString        codeType;
    attribute DOMString        data;
    attribute boolean        declare;
    attribute DOMString        height;
    attribute DOMString        hspace;
    attribute DOMString        name;
    attribute DOMString        standby;
    attribute long            tabIndex;
    attribute DOMString        type;
```

```

                                html.idl:

        attribute DOMString      useMap;
        attribute DOMString      vspace;
        attribute DOMString      width;
    // Introduced in DOM Level 2:
        attribute Document        contentDocument;
};

interface HTMLParamElement : HTMLElement {
    attribute DOMString          name;
    attribute DOMString          type;
    attribute DOMString          value;
    attribute DOMString          valueType;
};

interface HTMLAppletElement : HTMLElement {
    attribute DOMString          align;
    attribute DOMString          alt;
    attribute DOMString          archive;
    attribute DOMString          code;
    attribute DOMString          codeBase;
    attribute DOMString          height;
    attribute DOMString          hspace;
    attribute DOMString          name;
    attribute DOMString          object;
    attribute DOMString          vspace;
    attribute DOMString          width;
};

interface HTMLMapElement : HTMLElement {
    readonly attribute HTMLCollection areas;
    attribute DOMString          name;
};

interface HTMLAreaElement : HTMLElement {
    attribute DOMString          accessKey;
    attribute DOMString          alt;
    attribute DOMString          coords;
    attribute DOMString          href;
    attribute boolean           noHref;
    attribute DOMString          shape;
    attribute long              tabIndex;
    attribute DOMString          target;
};

interface HTMLScriptElement : HTMLElement {
    attribute DOMString          text;
    attribute DOMString          htmlFor;
    attribute DOMString          event;
    attribute DOMString          charset;
    attribute boolean           defer;
    attribute DOMString          src;
    attribute DOMString          type;
};

interface HTMLTableElement : HTMLElement {
    attribute HTMLTableCaptionElement caption;
    attribute HTMLTableSectionElement tHead;
};

```

html.idl:

```
        attribute HTMLTableSectionElement  tFoot;
readonly attribute HTMLCollection  rows;
readonly attribute HTMLCollection  tBodies;
        attribute DOMString  align;
        attribute DOMString  bgColor;
        attribute DOMString  border;
        attribute DOMString  cellPadding;
        attribute DOMString  cellSpacing;
        attribute DOMString  frame;
        attribute DOMString  rules;
        attribute DOMString  summary;
        attribute DOMString  width;
HTMLElement  createThead();
void  deleteThead();
HTMLElement  createTfoot();
void  deleteTfoot();
HTMLElement  createCaption();
void  deleteCaption();
HTMLElement  insertRow(in long index)
                raises(dom::DOMException);
void  deleteRow(in long index)
                raises(dom::DOMException);
};

interface HTMLTableCaptionElement : HTMLElement {
        attribute DOMString  align;
};

interface HTMLTableColElement : HTMLElement {
        attribute DOMString  align;
        attribute DOMString  ch;
        attribute DOMString  chOff;
        attribute long  span;
        attribute DOMString  vAlign;
        attribute DOMString  width;
};

interface HTMLTableSectionElement : HTMLElement {
        attribute DOMString  align;
        attribute DOMString  ch;
        attribute DOMString  chOff;
        attribute DOMString  vAlign;
        readonly attribute HTMLCollection  rows;
HTMLElement  insertRow(in long index)
                raises(dom::DOMException);
void  deleteRow(in long index)
                raises(dom::DOMException);
};

interface HTMLTableRowElement : HTMLElement {
        readonly attribute long  rowIndex;
        readonly attribute long  sectionRowIndex;
        readonly attribute HTMLCollection  cells;
        attribute DOMString  align;
        attribute DOMString  bgColor;
        attribute DOMString  ch;
        attribute DOMString  chOff;
```

html.idl:

```
        attribute DOMString      vAlign;
HTMLInputElement      insertCell(in long index)
                        raises(dom::DOMException);
void                  deleteCell(in long index)
                        raises(dom::DOMException);
};

interface HTMLTableCellElement : HTMLInputElement {
    readonly attribute long      cellIndex;
    attribute DOMString         abbr;
    attribute DOMString         align;
    attribute DOMString         axis;
    attribute DOMString         bgColor;
    attribute DOMString         ch;
    attribute DOMString         chOff;
    attribute long              colSpan;
    attribute DOMString         headers;
    attribute DOMString         height;
    attribute boolean           noWrap;
    attribute long              rowSpan;
    attribute DOMString         scope;
    attribute DOMString         vAlign;
    attribute DOMString         width;
};

interface HTMLFrameSetElement : HTMLInputElement {
    attribute DOMString         cols;
    attribute DOMString         rows;
};

interface HTMLFrameElement : HTMLInputElement {
    attribute DOMString         frameBorder;
    attribute DOMString         longDesc;
    attribute DOMString         marginHeight;
    attribute DOMString         marginWidth;
    attribute DOMString         name;
    attribute boolean           noResize;
    attribute DOMString         scrolling;
    attribute DOMString         src;
    // Introduced in DOM Level 2:
    attribute Document          contentDocument;
};

interface HTMLIFrameElement : HTMLInputElement {
    attribute DOMString         align;
    attribute DOMString         frameBorder;
    attribute DOMString         height;
    attribute DOMString         longDesc;
    attribute DOMString         marginHeight;
    attribute DOMString         marginWidth;
    attribute DOMString         name;
    attribute DOMString         scrolling;
    attribute DOMString         src;
    attribute DOMString         width;
    // Introduced in DOM Level 2:
    attribute Document          contentDocument;
};
```

```

};
};

#endif // _HTML_IDL_

```

C.3: Document Object Model Views

views.idl:

```

// File: views.idl
#ifndef _VIEWS_IDL_
#define _VIEWS_IDL_

#include "dom.idl"

#pragma prefix "dom.w3c.org"
module views
{
    interface DocumentView;

    // Introduced in DOM Level 2:
    interface AbstractView {
        readonly attribute DocumentView    document;
    };

    // Introduced in DOM Level 2:
    interface DocumentView {
        readonly attribute AbstractView    defaultView;
    };
};

#endif // _VIEWS_IDL_

```

C.4: Document Object Model StyleSheets

stylesheets.idl:

```

// File: stylesheets.idl
#ifndef _STYLESHEETS_IDL_
#define _STYLESHEETS_IDL_

#include "dom.idl"
#include "html.idl"

#pragma prefix "dom.w3c.org"
module stylesheets
{
    typedef dom::DOMString DOMString;
    typedef dom::Node Node;

    interface MediaList;

    // Introduced in DOM Level 2:

```

```

interface StyleSheet {
    readonly attribute DOMString      type;
        attribute boolean            disabled;
    readonly attribute Node           ownerNode;
    readonly attribute StyleSheet     parentStyleSheet;
    readonly attribute DOMString      href;
    readonly attribute DOMString      title;
    readonly attribute MediaList      media;
};

// Introduced in DOM Level 2:
interface StyleSheetList {
    readonly attribute unsigned long   length;
    StyleSheet          item(in unsigned long index);
};

// Introduced in DOM Level 2:
interface MediaList {
        attribute DOMString           mediaText;
                                        // raises(dom::DOMException) on setting

    readonly attribute unsigned long   length;
    DOMString          item(in unsigned long index);
    void               delete(in DOMString oldMedium)
                                        raises(dom::DOMException);
    void               append(in DOMString newMedium)
                                        raises(dom::DOMException);
};

// Introduced in DOM Level 2:
interface LinkStyle {
    readonly attribute StyleSheet      sheet;
};

// Introduced in DOM Level 2:
interface DocumentStyle {
    readonly attribute StyleSheetList  styleSheets;
};
};

#endif // _STYLESHEETS_IDL_

```

C.5: Document Object Model CSS

css.idl:

```

// File: css.idl
#ifndef _CSS_IDL_
#define _CSS_IDL_

#include "dom.idl"
#include "stylesheets.idl"
#include "html.idl"
#include "views.idl"

```

```

#pragma prefix "dom.w3c.org"
module css
{
    typedef dom::DOMString DOMString;
    typedef dom::Element Element;
    typedef dom::DOMImplementation DOMImplementation;

    interface CSSRule;
    interface CSSStyleSheet;
    interface CSSStyleDeclaration;
    interface CSSValue;
    interface Counter;
    interface Rect;
    interface RGBColor;

    // Introduced in DOM Level 2:
    interface CSSRuleList {
        readonly attribute unsigned long    length;
        CSSRule          item(in unsigned long index);
    };

    // Introduced in DOM Level 2:
    interface CSSRule {
        // RuleType
        const unsigned short    UNKNOWN_RULE        = 0;
        const unsigned short    STYLE_RULE          = 1;
        const unsigned short    CHARSET_RULE        = 2;
        const unsigned short    IMPORT_RULE         = 3;
        const unsigned short    MEDIA_RULE          = 4;
        const unsigned short    FONT_FACE_RULE     = 5;
        const unsigned short    PAGE_RULE          = 6;

        readonly attribute unsigned short    type;
        attribute DOMString                  cssText;
        // raises(dom::DOMException) on setting

        readonly attribute CSSStyleSheet    parentStyleSheet;
        readonly attribute CSSRule          parentRule;
    };

    // Introduced in DOM Level 2:
    interface CSSStyleRule : CSSRule {
        attribute DOMString                  selectorText;
        // raises(dom::DOMException) on setting

        readonly attribute CSSStyleDeclaration    style;
    };

    // Introduced in DOM Level 2:
    interface CSSMediaRule : CSSRule {
        readonly attribute stylesheets::MediaList    media;
        readonly attribute CSSRuleList              cssRules;
        unsigned long    insertRule(in DOMString rule,
                                   in unsigned long index)
            raises(dom::DOMException);
        void            deleteRule(in unsigned long index)
            raises(dom::DOMException);
    };
}

```



```

};

// Introduced in DOM Level 2:
interface CSSFontFaceRule : CSSRule {
    readonly attribute CSSStyleDeclaration style;
};

// Introduced in DOM Level 2:
interface CSSPageRule : CSSRule {
    attribute DOMString selectorText;
    // raises(dom::DOMException) on setting

    readonly attribute CSSStyleDeclaration style;
};

// Introduced in DOM Level 2:
interface CSSImportRule : CSSRule {
    readonly attribute DOMString href;
    readonly attribute StyleSheetList media;
    readonly attribute CSSStyleSheet styleSheet;
};

// Introduced in DOM Level 2:
interface CSSCharsetRule : CSSRule {
    attribute DOMString encoding;
    // raises(dom::DOMException) on setting
};

// Introduced in DOM Level 2:
interface CSSUnknownRule : CSSRule {
};

// Introduced in DOM Level 2:
interface CSSStyleDeclaration {
    attribute DOMString cssText;
    // raises(dom::DOMException) on setting

    DOMString getPropertyValue(in DOMString propertyName);
    CSSValue getPropertyCSSValue(in DOMString propertyName);
    DOMString removeProperty(in DOMString propertyName)
        raises(dom::DOMException);

    DOMString getPropertyPriority(in DOMString propertyName);
    void setProperty(in DOMString propertyName,
        in DOMString value,
        in DOMString priority)
        raises(dom::DOMException);

    readonly attribute unsigned long length;
    DOMString item(in unsigned long index);
    readonly attribute CSSRule parentRule;
};

// Introduced in DOM Level 2:
interface CSSValue {
    // UnitTypes
    const unsigned short CSS_INHERIT = 0;
    const unsigned short CSS_PRIMITIVE_VALUE = 1;
};

```

css.idl:

```
const unsigned short      CSS_VALUE_LIST          = 2;
const unsigned short      CSS_CUSTOM              = 3;

        attribute DOMString      cssText;
                                        // raises(dom::DOMException) on setting

    readonly attribute unsigned short  valueType;
};

// Introduced in DOM Level 2:
interface CSSPrimitiveValue : CSSValue {
    // UnitTypes
    const unsigned short      CSS_UNKNOWN          = 0;
    const unsigned short      CSS_NUMBER          = 1;
    const unsigned short      CSS_PERCENTAGE      = 2;
    const unsigned short      CSS_EMS             = 3;
    const unsigned short      CSS_EXS             = 4;
    const unsigned short      CSS_PX              = 5;
    const unsigned short      CSS_CM              = 6;
    const unsigned short      CSS_MM              = 7;
    const unsigned short      CSS_IN              = 8;
    const unsigned short      CSS_PT              = 9;
    const unsigned short      CSS_PC              = 10;
    const unsigned short      CSS_DEG             = 11;
    const unsigned short      CSS_RAD             = 12;
    const unsigned short      CSS_GRAD            = 13;
    const unsigned short      CSS_MS              = 14;
    const unsigned short      CSS_S               = 15;
    const unsigned short      CSS_HZ              = 16;
    const unsigned short      CSS_KHZ             = 17;
    const unsigned short      CSS_DIMENSION       = 18;
    const unsigned short      CSS_STRING          = 19;
    const unsigned short      CSS_URI             = 20;
    const unsigned short      CSS_IDENT           = 21;
    const unsigned short      CSS_ATTR            = 22;
    const unsigned short      CSS_COUNTER         = 23;
    const unsigned short      CSS_RECT            = 24;
    const unsigned short      CSS_RGBCOLOR        = 25;

    readonly attribute unsigned short  primitiveType;
    void      setFloatValue(in unsigned short unitType,
                           in float floatValue)
                raises(dom::DOMException);
    float      getFloatValue(in unsigned short unitType)
                raises(dom::DOMException);
    void      setStringValue(in unsigned short stringType,
                            in DOMString stringValue)
                raises(dom::DOMException);
    DOMString  getStringValue()
                raises(dom::DOMException);
    Counter    getCounterValue()
                raises(dom::DOMException);
    Rect       getRectValue()
                raises(dom::DOMException);
    RGBColor   getRGBColorValue()
                raises(dom::DOMException);
};
```

```

// Introduced in DOM Level 2:
interface CSSValueList : CSSValue {
    readonly attribute unsigned long    length;
    CSSValue          item(in unsigned long index);
};

// Introduced in DOM Level 2:
interface RGBColor {
    readonly attribute CSSPrimitiveValue  red;
    readonly attribute CSSPrimitiveValue  green;
    readonly attribute CSSPrimitiveValue  blue;
};

// Introduced in DOM Level 2:
interface Rect {
    readonly attribute CSSPrimitiveValue  top;
    readonly attribute CSSPrimitiveValue  right;
    readonly attribute CSSPrimitiveValue  bottom;
    readonly attribute CSSPrimitiveValue  left;
};

// Introduced in DOM Level 2:
interface Counter {
    readonly attribute DOMString          identifier;
    readonly attribute DOMString          listStyle;
    readonly attribute DOMString          separator;
};

// Introduced in DOM Level 2:
interface ElementCSSInlineStyle {
    readonly attribute CSSStyleDeclaration  style;
};

// Introduced in DOM Level 2:
interface CSS2Azimuth : CSSValue {
    readonly attribute unsigned short  azimuthType;
    readonly attribute DOMString       identifier;
    readonly attribute boolean         behind;
    void          setAngleValue(in unsigned short uType,
                               in float fValue)
                               raises(dom::DOMException);
    float          getAngleValue(in unsigned short uType)
                               raises(dom::DOMException);
    void          setIdentifier(in DOMString ident,
                               in boolean b)
                               raises(dom::DOMException);
};

// Introduced in DOM Level 2:
interface CSS2BackgroundPosition : CSSValue {
    readonly attribute unsigned short  horizontalType;
    readonly attribute unsigned short  verticalType;
    readonly attribute DOMString       horizontalIdentifier;
    readonly attribute DOMString       verticalIdentifier;
    float          getHorizontalPosition(in float hType)
                               raises(dom::DOMException);
};

```

css.idl:

```
float          getVerticalPosition(in float vType)
                                   raises(dom::DOMException);
void           setHorizontalPosition(in unsigned short hType,
                                   in float value)
                                   raises(dom::DOMException);
void           setVerticalPosition(in unsigned short vType,
                                   in float value)
                                   raises(dom::DOMException);
void           setPositionIdentifier(in DOMString hIdentifier,
                                   in DOMString vIdentifier)
                                   raises(dom::DOMException);
};

// Introduced in DOM Level 2:
interface CSS2BorderSpacing : CSSValue {
    readonly attribute unsigned short    horizontalType;
    readonly attribute unsigned short    verticalType;
    float          getHorizontalSpacing(in float hType)
                                   raises(dom::DOMException);
    float          getVerticalSpacing(in float vType)
                                   raises(dom::DOMException);
    void           setHorizontalSpacing(in unsigned short hType,
                                   in float value)
                                   raises(dom::DOMException);
    void           setVerticalSpacing(in unsigned short vType,
                                   in float value)
                                   raises(dom::DOMException);
};

// Introduced in DOM Level 2:
interface CSS2CounterReset : CSSValue {
    attribute DOMString    identifier;
                                   // raises(dom::DOMException) on setting
    attribute short        reset;
                                   // raises(dom::DOMException) on setting
};

// Introduced in DOM Level 2:
interface CSS2CounterIncrement : CSSValue {
    attribute DOMString    identifier;
                                   // raises(dom::DOMException) on setting
    attribute short        increment;
                                   // raises(dom::DOMException) on setting
};

// Introduced in DOM Level 2:
interface CSS2Cursor : CSSValue {
    readonly attribute CSSValueList    uris;
    attribute DOMString                predefinedCursor;
                                   // raises(dom::DOMException) on setting
};
```

css.idl:

```
// Introduced in DOM Level 2:
interface CSS2PlayDuring : CSSValue {
    readonly attribute unsigned short    playDuringType;
    attribute DOMString                  playDuringIdentifier;
                                        // raises(dom::DOMException) on setting

    attribute DOMString                  uri;
                                        // raises(dom::DOMException) on setting

    attribute boolean                    mix;
                                        // raises(dom::DOMException) on setting

    attribute boolean                    repeat;
                                        // raises(dom::DOMException) on setting
};

// Introduced in DOM Level 2:
interface CSS2TextShadow {
    readonly attribute CSSValue          color;
    readonly attribute CSSValue          horizontal;
    readonly attribute CSSValue          vertical;
    readonly attribute CSSValue          blur;
};

// Introduced in DOM Level 2:
interface CSS2FontFaceSrc {
    attribute DOMString                  uri;
                                        // raises(dom::DOMException) on setting

    readonly attribute CSSValueList      format;
    attribute DOMString                  fontFamilyName;
                                        // raises(dom::DOMException) on setting
};

// Introduced in DOM Level 2:
interface CSS2FontFaceWidths {
    attribute DOMString                  urange;
                                        // raises(dom::DOMException) on setting

    readonly attribute CSSValueList      numbers;
};

// Introduced in DOM Level 2:
interface CSS2PageSize : CSSValue {
    readonly attribute unsigned short    widthType;
    readonly attribute unsigned short    heightType;
    readonly attribute DOMString         identifier;
    float                                getWidth(in float wType)
                                        raises(dom::DOMException);
    float                                getHeightSize(in float hType)
                                        raises(dom::DOMException);
    void                                 setWidthSize(in unsigned short wType,
                                                    in float value)
                                        raises(dom::DOMException);
    void                                 setHeightSize(in unsigned short hType,
```

css.idl:

```

                                in float value)
                                raises(dom::DOMException);
void          setIdentifier(in DOMString ident)
                                raises(dom::DOMException);
};

// Introduced in DOM Level 2:
interface CSS2Properties {
    attribute DOMString          azimuth;
                                // raises(dom::DOMException) on setting

    attribute DOMString          background;
                                // raises(dom::DOMException) on setting

    attribute DOMString          backgroundAttachment;
                                // raises(dom::DOMException) on setting

    attribute DOMString          backgroundColor;
                                // raises(dom::DOMException) on setting

    attribute DOMString          backgroundImage;
                                // raises(dom::DOMException) on setting

    attribute DOMString          backgroundPosition;
                                // raises(dom::DOMException) on setting

    attribute DOMString          backgroundRepeat;
                                // raises(dom::DOMException) on setting

    attribute DOMString          border;
                                // raises(dom::DOMException) on setting

    attribute DOMString          borderCollapse;
                                // raises(dom::DOMException) on setting

    attribute DOMString          borderColor;
                                // raises(dom::DOMException) on setting

    attribute DOMString          borderSpacing;
                                // raises(dom::DOMException) on setting

    attribute DOMString          borderStyle;
                                // raises(dom::DOMException) on setting

    attribute DOMString          borderTop;
                                // raises(dom::DOMException) on setting

    attribute DOMString          borderRight;
                                // raises(dom::DOMException) on setting

    attribute DOMString          borderBottom;
                                // raises(dom::DOMException) on setting

    attribute DOMString          borderLeft;
                                // raises(dom::DOMException) on setting

    attribute DOMString          borderTopColor;

```

```

css.idl:

// raises(dom::DOMException) on setting
attribute DOMString    borderRightColor;
// raises(dom::DOMException) on setting
attribute DOMString    borderBottomColor;
// raises(dom::DOMException) on setting
attribute DOMString    borderLeftColor;
// raises(dom::DOMException) on setting
attribute DOMString    borderTopStyle;
// raises(dom::DOMException) on setting
attribute DOMString    borderRightStyle;
// raises(dom::DOMException) on setting
attribute DOMString    borderBottomStyle;
// raises(dom::DOMException) on setting
attribute DOMString    borderLeftStyle;
// raises(dom::DOMException) on setting
attribute DOMString    borderTopWidth;
// raises(dom::DOMException) on setting
attribute DOMString    borderRightWidth;
// raises(dom::DOMException) on setting
attribute DOMString    borderBottomWidth;
// raises(dom::DOMException) on setting
attribute DOMString    borderLeftWidth;
// raises(dom::DOMException) on setting
attribute DOMString    borderWidth;
// raises(dom::DOMException) on setting
attribute DOMString    bottom;
// raises(dom::DOMException) on setting
attribute DOMString    captionSide;
// raises(dom::DOMException) on setting
attribute DOMString    clear;
// raises(dom::DOMException) on setting
attribute DOMString    clip;
// raises(dom::DOMException) on setting
attribute DOMString    color;
// raises(dom::DOMException) on setting
attribute DOMString    content;
// raises(dom::DOMException) on setting
attribute DOMString    counterIncrement;

```

```

css.idl:

// raises(dom::DOMException) on setting
attribute DOMString counterReset;
// raises(dom::DOMException) on setting
attribute DOMString cue;
// raises(dom::DOMException) on setting
attribute DOMString cueAfter;
// raises(dom::DOMException) on setting
attribute DOMString cueBefore;
// raises(dom::DOMException) on setting
attribute DOMString cursor;
// raises(dom::DOMException) on setting
attribute DOMString direction;
// raises(dom::DOMException) on setting
attribute DOMString display;
// raises(dom::DOMException) on setting
attribute DOMString elevation;
// raises(dom::DOMException) on setting
attribute DOMString emptyCells;
// raises(dom::DOMException) on setting
attribute DOMString cssFloat;
// raises(dom::DOMException) on setting
attribute DOMString font;
// raises(dom::DOMException) on setting
attribute DOMString fontFamily;
// raises(dom::DOMException) on setting
attribute DOMString fontSize;
// raises(dom::DOMException) on setting
attribute DOMString fontSizeAdjust;
// raises(dom::DOMException) on setting
attribute DOMString fontStretch;
// raises(dom::DOMException) on setting
attribute DOMString fontStyle;
// raises(dom::DOMException) on setting
attribute DOMString fontVariant;
// raises(dom::DOMException) on setting
attribute DOMString fontWeight;
// raises(dom::DOMException) on setting
attribute DOMString height;

```



```

css.idl:

// raises(dom::DOMException) on setting
attribute DOMString left;
// raises(dom::DOMException) on setting
attribute DOMString letterSpacing;
// raises(dom::DOMException) on setting
attribute DOMString lineHeight;
// raises(dom::DOMException) on setting
attribute DOMString listStyle;
// raises(dom::DOMException) on setting
attribute DOMString listStyleImage;
// raises(dom::DOMException) on setting
attribute DOMString listStylePosition;
// raises(dom::DOMException) on setting
attribute DOMString listStyleType;
// raises(dom::DOMException) on setting
attribute DOMString margin;
// raises(dom::DOMException) on setting
attribute DOMString marginTop;
// raises(dom::DOMException) on setting
attribute DOMString marginRight;
// raises(dom::DOMException) on setting
attribute DOMString marginBottom;
// raises(dom::DOMException) on setting
attribute DOMString marginLeft;
// raises(dom::DOMException) on setting
attribute DOMString markerOffset;
// raises(dom::DOMException) on setting
attribute DOMString marks;
// raises(dom::DOMException) on setting
attribute DOMString maxHeight;
// raises(dom::DOMException) on setting
attribute DOMString maxWidth;
// raises(dom::DOMException) on setting
attribute DOMString minHeight;
// raises(dom::DOMException) on setting
attribute DOMString minWidth;
// raises(dom::DOMException) on setting
attribute DOMString orphans;

```

css.idl:

```

// raises(dom::DOMException) on setting
attribute DOMString outline;
// raises(dom::DOMException) on setting
attribute DOMString outlineColor;
// raises(dom::DOMException) on setting
attribute DOMString outlineStyle;
// raises(dom::DOMException) on setting
attribute DOMString outlineWidth;
// raises(dom::DOMException) on setting
attribute DOMString overflow;
// raises(dom::DOMException) on setting
attribute DOMString padding;
// raises(dom::DOMException) on setting
attribute DOMString paddingTop;
// raises(dom::DOMException) on setting
attribute DOMString paddingRight;
// raises(dom::DOMException) on setting
attribute DOMString paddingBottom;
// raises(dom::DOMException) on setting
attribute DOMString paddingLeft;
// raises(dom::DOMException) on setting
attribute DOMString page;
// raises(dom::DOMException) on setting
attribute DOMString pageBreakAfter;
// raises(dom::DOMException) on setting
attribute DOMString pageBreakBefore;
// raises(dom::DOMException) on setting
attribute DOMString pageBreakInside;
// raises(dom::DOMException) on setting
attribute DOMString pause;
// raises(dom::DOMException) on setting
attribute DOMString pauseAfter;
// raises(dom::DOMException) on setting
attribute DOMString pauseBefore;
// raises(dom::DOMException) on setting
attribute DOMString pitch;
// raises(dom::DOMException) on setting
attribute DOMString pitchRange;
```

```

css.idl:

// raises(dom::DOMException) on setting
attribute DOMString    playDuring;
// raises(dom::DOMException) on setting
attribute DOMString    position;
// raises(dom::DOMException) on setting
attribute DOMString    quotes;
// raises(dom::DOMException) on setting
attribute DOMString    richness;
// raises(dom::DOMException) on setting
attribute DOMString    right;
// raises(dom::DOMException) on setting
attribute DOMString    size;
// raises(dom::DOMException) on setting
attribute DOMString    speak;
// raises(dom::DOMException) on setting
attribute DOMString    speakHeader;
// raises(dom::DOMException) on setting
attribute DOMString    speakNumeral;
// raises(dom::DOMException) on setting
attribute DOMString    speakPunctuation;
// raises(dom::DOMException) on setting
attribute DOMString    speechRate;
// raises(dom::DOMException) on setting
attribute DOMString    stress;
// raises(dom::DOMException) on setting
attribute DOMString    tableLayout;
// raises(dom::DOMException) on setting
attribute DOMString    textAlign;
// raises(dom::DOMException) on setting
attribute DOMString    textDecoration;
// raises(dom::DOMException) on setting
attribute DOMString    textIndent;
// raises(dom::DOMException) on setting
attribute DOMString    textShadow;
// raises(dom::DOMException) on setting
attribute DOMString    textTransform;
// raises(dom::DOMException) on setting
attribute DOMString    top;

```

```

css.idl:

// raises(dom::DOMException) on setting
attribute DOMString    unicodeBidi;
// raises(dom::DOMException) on setting
attribute DOMString    verticalAlign;
// raises(dom::DOMException) on setting
attribute DOMString    visibility;
// raises(dom::DOMException) on setting
attribute DOMString    voiceFamily;
// raises(dom::DOMException) on setting
attribute DOMString    volume;
// raises(dom::DOMException) on setting
attribute DOMString    whiteSpace;
// raises(dom::DOMException) on setting
attribute DOMString    widows;
// raises(dom::DOMException) on setting
attribute DOMString    width;
// raises(dom::DOMException) on setting
attribute DOMString    wordSpacing;
// raises(dom::DOMException) on setting
attribute DOMString    zIndex;
// raises(dom::DOMException) on setting

};

// Introduced in DOM Level 2:
interface CSSStyleSheet : stylesheets::StyleSheet {
    readonly attribute CSSRule    ownerRule;
    readonly attribute CSSRuleList cssRules;
    unsigned long    insertRule(in DOMString rule,
                                in unsigned long index)
                                raises(dom::DOMException);
    void    deleteRule(in unsigned long index)
                raises(dom::DOMException);
};

// Introduced in DOM Level 2:
interface ViewCSS : views::AbstractView {
    CSSStyleDeclaration getComputedStyle(in Element elt,
                                        in DOMString pseudoElt);
};

// Introduced in DOM Level 2:
interface DocumentCSS : stylesheets::DocumentStyle {
    CSSStyleDeclaration getOverrideStyle(in Element elt,
                                        in DOMString pseudoElt);
};

```

```

// Introduced in DOM Level 2:
interface DOMImplementationCSS : DOMImplementation {
    CSSStyleSheet      createCSSStyleSheet(in DOMString title,
                                           in DOMString media);
};
};

#endif // _CSS_IDL_

```

C.6: Document Object Model Events

events.idl:

```

// File: events.idl
#ifndef _EVENTS_IDL_
#define _EVENTS_IDL_

#include "dom.idl"
#include "views.idl"

#pragma prefix "dom.w3c.org"
module events
{
    typedef dom::DOMString DOMString;
    typedef dom::Node Node;
    typedef dom::DOMTimeStamp DOMTimeStamp;

    interface EventListener;
    interface Event;

    // Introduced in DOM Level 2:
    exception EventException {
        unsigned short code;
    };

    // EventExceptionCode
    const unsigned short UNSPECIFIED_EVENT_TYPE_ERR = 0;

    // Introduced in DOM Level 2:
    interface EventTarget {
        void addEventListener(in DOMString type,
                             in EventListener listener,
                             in boolean useCapture);
        void removeEventListener(in DOMString type,
                                 in EventListener listener,
                                 in boolean useCapture);
        boolean dispatchEvent(in Event evt)
            raises(EventException);
    };

    // Introduced in DOM Level 2:
    interface EventListener {
        void handleEvent(in Event evt);
    };
};

```

```

// Introduced in DOM Level 2:
interface Event {
    // PhaseType
    const unsigned short    CAPTURING_PHASE        = 1;
    const unsigned short    AT_TARGET              = 2;
    const unsigned short    BUBBLING_PHASE        = 3;

    readonly attribute DOMString    type;
    readonly attribute EventTarget   target;
    readonly attribute Node         currentNode;
    readonly attribute unsigned short eventPhase;
    readonly attribute boolean      bubbles;
    readonly attribute boolean      cancelable;
    readonly attribute DOMTimeStamp timeStamp;
    void                stopPropagation();
    void                preventDefault();
    void                initEvent(in DOMString eventTypeArg,
                                in boolean canBubbleArg,
                                in boolean cancelableArg);
};

// Introduced in DOM Level 2:
interface DocumentEvent {
    Event    createEvent(in DOMString eventType)
              raises(dom::DOMException);
};

// Introduced in DOM Level 2:
interface UIEvent : Event {
    readonly attribute views::AbstractView view;
    readonly attribute long                detail;
    void                initUIEvent(in DOMString typeArg,
                                   in boolean canBubbleArg,
                                   in boolean cancelableArg,
                                   in views::AbstractView viewArg,
                                   in long detailArg);
};

// Introduced in DOM Level 2:
interface MouseEvent : UIEvent {
    readonly attribute long    screenX;
    readonly attribute long    screenY;
    readonly attribute long    clientX;
    readonly attribute long    clientY;
    readonly attribute boolean ctrlKey;
    readonly attribute boolean shiftKey;
    readonly attribute boolean altKey;
    readonly attribute boolean metaKey;
    readonly attribute unsigned short button;
    readonly attribute Node     relatedNode;
    void                initMouseEvent(in DOMString typeArg,
                                       in boolean canBubbleArg,
                                       in boolean cancelableArg,
                                       in views::AbstractView viewArg,
                                       in long detailArg,
                                       in long screenXArg,

```

```

        in long screenYArg,
        in long clientXArg,
        in long clientYArg,
        in boolean ctrlKeyArg,
        in boolean altKeyArg,
        in boolean shiftKeyArg,
        in boolean metaKeyArg,
        in unsigned short buttonArg,
        in Node relatedNodeArg);
};

// Introduced in DOM Level 2:
interface MutationEvent : Event {
    readonly attribute Node           relatedNode;
    readonly attribute DOMString      prevValue;
    readonly attribute DOMString      newValue;
    readonly attribute DOMString      attrName;
    void                            initMutationEvent(in DOMString typeArg,
        in boolean canBubbleArg,
        in boolean cancelableArg,
        in Node relatedNodeArg,
        in DOMString prevValueArg,
        in DOMString newValueArg,
        in DOMString attrNameArg);
};
};

#endif // _EVENTS_IDL_

```

C.7: Document Object Model Traversal

traversal.idl:

```

// File: traversal.idl
#ifndef _TRAVERSAL_IDL_
#define _TRAVERSAL_IDL_

#include "dom.idl"

#pragma prefix "dom.w3c.org"
module traversal
{
    typedef dom::Node Node;

    interface NodeFilter;

    // Introduced in DOM Level 2:
    interface NodeIterator {
        readonly attribute Node           root;
        readonly attribute unsigned long  whatToShow;
        readonly attribute NodeFilter     filter;
        readonly attribute boolean        expandEntityReferences;
        Node                             nextNode();
        raises(dom::DOMException);

        Node                             previousNode();
    };
};

```

```

        raises(dom::DOMException);

void          detach();
};

// Introduced in DOM Level 2:
interface NodeFilter {
    // Constants returned by acceptNode
    const short          FILTER_ACCEPT          = 1;
    const short          FILTER_REJECT         = 2;
    const short          FILTER_SKIP           = 3;

    // Constants for whatToShow
    const unsigned long  SHOW_ALL              = 0xFFFFFFFF;
    const unsigned long  SHOW_ELEMENT         = 0x00000001;
    const unsigned long  SHOW_ATTRIBUTE      = 0x00000002;
    const unsigned long  SHOW_TEXT          = 0x00000004;
    const unsigned long  SHOW_CDATA_SECTION = 0x00000008;
    const unsigned long  SHOW_ENTITY_REFERENCE = 0x00000010;
    const unsigned long  SHOW_ENTITY        = 0x00000020;
    const unsigned long  SHOW_PROCESSING_INSTRUCTION = 0x00000040;
    const unsigned long  SHOW_COMMENT       = 0x00000080;
    const unsigned long  SHOW_DOCUMENT     = 0x00000100;
    const unsigned long  SHOW_DOCUMENT_TYPE = 0x00000200;
    const unsigned long  SHOW_DOCUMENT_FRAGMENT = 0x00000400;
    const unsigned long  SHOW_NOTATION     = 0x00000800;

    short          acceptNode(in Node n);
};

// Introduced in DOM Level 2:
interface TreeWalker {
    readonly attribute Node          root;
    readonly attribute unsigned long whatToShow;
    readonly attribute NodeFilter    filter;
    readonly attribute boolean       expandEntityReferences;
    attribute Node                  currentNode;
    // raises(dom::DOMException) on setting

    Node          parentNode();
    Node          firstChild();
    Node          lastChild();
    Node          previousSibling();
    Node          nextSibling();
    Node          previousNode();
    Node          nextNode();
};

// Introduced in DOM Level 2:
interface DocumentTraversal {
    NodeIterator          createNodeIterator(in Node root,
                                           in unsigned long whatToShow,
                                           in NodeFilter filter,
                                           in boolean entityReferenceExpansion);

    TreeWalker           createTreeWalker(in Node root,
                                         in unsigned long whatToShow,
                                         in NodeFilter filter,
                                         in boolean entityReferenceExpansion)
};

```



```

        raises(dom::DOMException);
    };
};

#endif // _TRAVERSAL_IDL_

```

C.8: Document Object Model Range

range.idl:

```

// File: range.idl
#ifndef _RANGE_IDL_
#define _RANGE_IDL_

#include "dom.idl"

#pragma prefix "dom.w3c.org"
module range
{
    typedef dom::Node Node;
    typedef dom::DocumentFragment DocumentFragment;
    typedef dom::DOMString DOMString;

    // Introduced in DOM Level 2:
    exception RangeException {
        unsigned short code;
    };

    // RangeExceptionCode
    const unsigned short BAD_BOUNDARYPOINTS_ERR = 1;
    const unsigned short INVALID_NODE_TYPE_ERR = 2;

    // Introduced in DOM Level 2:
    interface Range {
        readonly attribute Node startContainer;
        // raises(dom::DOMException) on retrieval

        readonly attribute long startOffset;
        // raises(dom::DOMException) on retrieval

        readonly attribute Node endContainer;
        // raises(dom::DOMException) on retrieval

        readonly attribute long endOffset;
        // raises(dom::DOMException) on retrieval

        readonly attribute boolean collapsed;
        // raises(dom::DOMException) on retrieval

        readonly attribute Node commonAncestorContainer;
        // raises(dom::DOMException) on retrieval

        void setStart(in Node refNode,
                    in long offset)
    };
};

```

range.idl:

```

        raises(RangeException,
                dom::DOMException);
void      setEnd(in Node refNode,
                in long offset)
        raises(RangeException,
                dom::DOMException);
void      setStartBefore(in Node refNode)
        raises(RangeException,
                dom::DOMException);
void      setStartAfter(in Node refNode)
        raises(RangeException,
                dom::DOMException);
void      setEndBefore(in Node refNode)
        raises(RangeException,
                dom::DOMException);
void      setEndAfter(in Node refNode)
        raises(RangeException,
                dom::DOMException);
void      collapse(in boolean toStart)
        raises(dom::DOMException);
void      selectNode(in Node refNode)
        raises(RangeException,
                dom::DOMException);
void      selectNodeContents(in Node refNode)
        raises(RangeException,
                dom::DOMException);

// CompareHow
const unsigned short    START_TO_START    = 0;
const unsigned short    START_TO_END      = 1;
const unsigned short    END_TO_END        = 2;
const unsigned short    END_TO_START      = 3;

short      compareBoundaryPoints(in unsigned short how,
                                in Range sourceRange)
        raises(dom::DOMException);
void      deleteContents()
        raises(dom::DOMException);
DocumentFragment    extractContents()
        raises(dom::DOMException);
DocumentFragment    cloneContents()
        raises(dom::DOMException);
void      insertNode(in Node newNode)
        raises(dom::DOMException,
                RangeException);
void      surroundContents(in Node newParent)
        raises(dom::DOMException,
                RangeException);
Range      cloneRange()
        raises(dom::DOMException);
DOMString    toString()
        raises(dom::DOMException);
void      detach()
        raises(dom::DOMException);
};

// Introduced in DOM Level 2:
interface DocumentRange {
```

range.idl:

```
    Range          createRange();  
};  
};  
  
#endif // _RANGE_IDL_
```

range.idl:

Appendix D: Java Language Binding

This appendix contains the complete Java bindings for the Level 2 Document Object Model. The definitions are divided into Core [p.333], HTML [p.341], StyleSheets [p.366], CSS [p.367], Events [p.388], Filters and Iterators [p.391], and Range [p.393].

The Java files are also available as

<http://www.w3.org/TR/2000/CR-DOM-Level-2-20000307/java-binding.zip>

D.1: Document Object Model Core

org/w3c/dom/DOMException.java:

```
package org.w3c.dom;

public class DOMException extends RuntimeException {
    public DOMException(short code, String message) {
        super(message);
        this.code = code;
    }
    public short    code;
    // ExceptionCode
    public static final short INDEX_SIZE_ERR           = 1;
    public static final short DOMSTRING_SIZE_ERR      = 2;
    public static final short HIERARCHY_REQUEST_ERR   = 3;
    public static final short WRONG_DOCUMENT_ERR     = 4;
    public static final short INVALID_CHARACTER_ERR   = 5;
    public static final short NO_DATA_ALLOWED_ERR     = 6;
    public static final short NO_MODIFICATION_ALLOWED_ERR = 7;
    public static final short NOT_FOUND_ERR          = 8;
    public static final short NOT_SUPPORTED_ERR      = 9;
    public static final short INUSE_ATTRIBUTE_ERR    = 10;
    /**
     * @since DOM Level 2
     */
    public static final short INVALID_STATE_ERR      = 11;
    /**
     * @since DOM Level 2
     */
    public static final short SYNTAX_ERR            = 12;
    /**
     * @since DOM Level 2
     */
    public static final short INVALID_MODIFICATION_ERR = 13;
    /**
     * @since DOM Level 2
     */
    public static final short NAMESPACE_ERR        = 14;
    /**
     * @since DOM Level 2
     */

```

```
    */
    public static final short INVALID_ACCESS_ERR          = 15;
}

```

org/w3c/dom/DOMImplementation.java:

```
package org.w3c.dom;

public interface DOMImplementation {
    public boolean hasFeature(String feature,
                               String version);

    public DocumentType createDocumentType(String qualifiedName,
                                           String publicId,
                                           String systemId)
        throws DOMException;

    public Document createDocument(String namespaceURI,
                                   String qualifiedName,
                                   DocumentType doctype)
        throws DOMException;
}

```

org/w3c/dom/DocumentFragment.java:

```
package org.w3c.dom;

public interface DocumentFragment extends Node {
}

```

org/w3c/dom/Document.java:

```
package org.w3c.dom;

public interface Document extends Node {
    public DocumentType getDoctype();

    public DOMImplementation getImplementation();

    public Element getDocumentElement();

    public Element createElement(String tagName)
        throws DOMException;

    public DocumentFragment createDocumentFragment();

    public Text createTextNode(String data);

    public Comment createComment(String data);

    public CDATASection createCDATASection(String data)
        throws DOMException;
}

```

org/w3c/dom/Node.java:

```
public ProcessingInstruction createProcessingInstruction(String target,
                                                    String data)
                                                    throws DOMException;

public Attr createAttribute(String name)
                        throws DOMException;

public EntityReference createEntityReference(String name)
                        throws DOMException;

public NodeList getElementsByTagName(String tagname);

public Node importNode(Node importedNode,
                      boolean deep)
                      throws DOMException;

public Element createElementNS(String namespaceURI,
                              String qualifiedName)
                              throws DOMException;

public Attr createAttributeNS(String namespaceURI,
                              String qualifiedName)
                              throws DOMException;

public NodeList getElementsByTagNameNS(String namespaceURI,
                                      String localName);

public Element getElementById(String elementId);
}
```

org/w3c/dom/Node.java:

```
package org.w3c.dom;

public interface Node {
    // NodeType
    public static final short ELEMENT_NODE           = 1;
    public static final short ATTRIBUTE_NODE        = 2;
    public static final short TEXT_NODE             = 3;
    public static final short CDATA_SECTION_NODE    = 4;
    public static final short ENTITY_REFERENCE_NODE = 5;
    public static final short ENTITY_NODE          = 6;
    public static final short PROCESSING_INSTRUCTION_NODE = 7;
    public static final short COMMENT_NODE         = 8;
    public static final short DOCUMENT_NODE        = 9;
    public static final short DOCUMENT_TYPE_NODE   = 10;
    public static final short DOCUMENT_FRAGMENT_NODE = 11;
    public static final short NOTATION_NODE        = 12;

    public String getNodeName();

    public String getNodeValue()
                    throws DOMException;

    public void setNodeValue(String nodeValue)
                    throws DOMException;
}
```

```
public short getNodeTypeId();
public Node getParentNode();
public NodeList getChildNodes();
public Node getFirstChild();
public Node getLastChild();
public Node getPreviousSibling();
public Node getNextSibling();
public NamedNodeMap getAttributes();
public Document getOwnerDocument();
public Node insertBefore(Node newChild,
                        Node refChild)
                        throws DOMException;
public Node replaceChild(Node newChild,
                        Node oldChild)
                        throws DOMException;
public Node removeChild(Node oldChild)
                        throws DOMException;
public Node appendChild(Node newChild)
                        throws DOMException;
public boolean hasChildNodes();
public Node cloneNode(boolean deep);
public void normalize();
public boolean supports(String feature,
                        String version);
public String getNamespaceURI();
public String getPrefix();
public void setPrefix(String prefix)
                        throws DOMException;
public String getLocalName();
}
```


org/w3c/dom/NodeList.java:

```
package org.w3c.dom;

public interface NodeList {
    public Node item(int index);

    public int getLength();
}
```

org/w3c/dom/NamedNodeMap.java:

```
package org.w3c.dom;

public interface NamedNodeMap {
    public Node getNamedItem(String name);

    public Node setNamedItem(Node arg)
        throws DOMException;

    public Node removeNamedItem(String name)
        throws DOMException;

    public Node item(int index);

    public int getLength();

    public Node getNamedItemNS(String namespaceURI,
                               String localName);

    public Node setNamedItemNS(Node arg)
        throws DOMException;

    public Node removeNamedItemNS(String namespaceURI,
                                   String localName)
        throws DOMException;
}
```

org/w3c/dom/CharacterData.java:

```
package org.w3c.dom;

public interface CharacterData extends Node {
    public String getData()
        throws DOMException;

    public void setData(String data)
        throws DOMException;

    public int getLength();

    public String substringData(int offset,
                                int count)
        throws DOMException;
}
```

```
public void appendData(String arg)
    throws DOMException;

public void insertData(int offset,
    String arg)
    throws DOMException;

public void deleteData(int offset,
    int count)
    throws DOMException;

public void replaceData(int offset,
    int count,
    String arg)
    throws DOMException;
}
```

org/w3c/dom/Attr.java:

```
package org.w3c.dom;

public interface Attr extends Node {
    public String getName();

    public boolean getSpecified();

    public String getValue();
    public void setValue(String value)
        throws DOMException;

    public Element getOwnerElement();
}
```

org/w3c/dom/Element.java:

```
package org.w3c.dom;

public interface Element extends Node {
    public String getTagName();

    public String getAttribute(String name);

    public void setAttribute(String name,
        String value)
        throws DOMException;

    public void removeAttribute(String name)
        throws DOMException;

    public Attr getAttributeNode(String name);

    public Attr setAttributeNode(Attr newAttr)
        throws DOMException;
}
```

org/w3c/dom/Text.java:

```
public Attr removeAttributeNode(Attr oldAttr)
    throws DOMException;

public NodeList getElementsByTagName(String name);

public String getAttributeNS(String namespaceURI,
    String localName);

public void setAttributeNS(String namespaceURI,
    String qualifiedName,
    String value)
    throws DOMException;

public void removeAttributeNS(String namespaceURI,
    String localName)
    throws DOMException;

public Attr getAttributeNodeNS(String namespaceURI,
    String localName);

public Attr setAttributeNodeNS(Attr newAttr)
    throws DOMException;

public NodeList getElementsByTagNameNS(String namespaceURI,
    String localName);

public boolean hasAttribute(String name);

public boolean hasAttributeNS(String namespaceURI,
    String localName);
}
```

org/w3c/dom/Text.java:

```
package org.w3c.dom;

public interface Text extends CharacterData {
    public Text splitText(int offset)
        throws DOMException;
}
```

org/w3c/dom/Comment.java:

```
package org.w3c.dom;

public interface Comment extends CharacterData {
}
```

org/w3c/dom/CDATASection.java:

```
package org.w3c.dom;

public interface CDATASection extends Text {
}
```

org/w3c/dom/DocumentType.java:

```
package org.w3c.dom;

public interface DocumentType extends Node {
    public String getName();

    public NamedNodeMap getEntities();

    public NamedNodeMap getNotations();

    public String getPublicId();

    public String getSystemId();

    public String getInternalSubset();
}
```

org/w3c/dom/Notation.java:

```
package org.w3c.dom;

public interface Notation extends Node {
    public String getPublicId();

    public String getSystemId();
}
```

org/w3c/dom/Entity.java:

```
package org.w3c.dom;

public interface Entity extends Node {
    public String getPublicId();

    public String getSystemId();

    public String getNotationName();
}
```

org/w3c/dom/EntityReference.java:

```
package org.w3c.dom;

public interface EntityReference extends Node {
}
```

org/w3c/dom/ProcessingInstruction.java:

```
package org.w3c.dom;

public interface ProcessingInstruction extends Node {
    public String getTarget();

    public String getData();
    public void setData(String data)
        throws DOMException;
}
```

D.2: Document Object Model HTML**org/w3c/dom/html/HTMLDOMImplementation.java:**

```
package org.w3c.dom.html;

import org.w3c.dom.DOMImplementation;

public interface HTMLDOMImplementation extends DOMImplementation {
    public HTMLDocument createHTMLDocument(String title);
}
```

org/w3c/dom/html/HTMLCollection.java:

```
package org.w3c.dom.html;

import org.w3c.dom.Node;

public interface HTMLCollection {
    public int getLength();

    public Node item(int index);

    public Node namedItem(String name);
}
```

org/w3c/dom/html/HTMLDocument.java:

```
package org.w3c.dom.html;

import org.w3c.dom.Document;
import org.w3c.dom.NodeList;

public interface HTMLDocument extends Document {
    public String getTitle();
    public void setTitle(String title);

    public String getReferrer();

    public String getDomain();

    public String getURL();

    public HTMLElement getBody();
    public void setBody(HTMLElement body);

    public HTMLCollection getImages();

    public HTMLCollection getApplets();

    public HTMLCollection getLinks();

    public HTMLCollection getForms();

    public HTMLCollection getAnchors();

    public String getCookie();
    public void setCookie(String cookie);

    public void open();

    public void close();

    public void write(String text);

    public void writeln(String text);

    public NodeList getElementsByTagName(String elementName);
}
```

org/w3c/dom/html/HTMLElement.java:

```
package org.w3c.dom.html;

import org.w3c.dom.Element;

public interface HTMLElement extends Element {
    public String getId();
    public void setId(String id);

    public String getTitle();
}
```

```
public void setTitle(String title);

public String getLang();
public void setLang(String lang);

public String getDir();
public void setDir(String dir);

public String getClassName();
public void setClassName(String className);

}
```

org/w3c/dom/html/HTMLHtmlElement.java:

```
package org.w3c.dom.html;

public interface HTMLHtmlElement extends HTMLElement {
    public String getVersion();
    public void setVersion(String version);
}
```

org/w3c/dom/html/HTMLHeadElement.java:

```
package org.w3c.dom.html;

public interface HTMLHeadElement extends HTMLElement {
    public String getProfile();
    public void setProfile(String profile);
}
```

org/w3c/dom/html/HTMLLinkElement.java:

```
package org.w3c.dom.html;

public interface HTMLLinkElement extends HTMLElement {
    public boolean getDisabled();
    public void setDisabled(boolean disabled);

    public String getCharset();
    public void setCharset(String charset);

    public String getHref();
    public void setHref(String href);

    public String getHreflang();
    public void setHreflang(String hreflang);

    public String getMedia();
    public void setMedia(String media);

    public String getRel();
    public void setRel(String rel);
}
```

```
public String getRev();
public void setRev(String rev);

public String getTarget();
public void setTarget(String target);

public String getType();
public void setType(String type);
}
```

org/w3c/dom/html/HTMLTitleElement.java:

```
package org.w3c.dom.html;

public interface HTMLTitleElement extends HTMLElement {
    public String getText();
    public void setText(String text);
}
```

org/w3c/dom/html/HTMLMetaElement.java:

```
package org.w3c.dom.html;

public interface HTMLMetaElement extends HTMLElement {
    public String getContent();
    public void setContent(String content);

    public String getHttpEquiv();
    public void setHttpEquiv(String httpEquiv);

    public String getName();
    public void setName(String name);

    public String getScheme();
    public void setScheme(String scheme);
}
```

org/w3c/dom/html/HTMLBaseElement.java:

```
package org.w3c.dom.html;

public interface HTMLBaseElement extends HTMLElement {
    public String getHref();
    public void setHref(String href);

    public String getTarget();
    public void setTarget(String target);
}
```


org/w3c/dom/html/HTMLIsIndexElement.java:

```
package org.w3c.dom.html;

public interface HTMLIsIndexElement extends HTMLElement {
    public HTMLFormElement getForm();

    public String getPrompt();
    public void setPrompt(String prompt);
}
```

org/w3c/dom/html/HTMLStyleElement.java:

```
package org.w3c.dom.html;

public interface HTMLStyleElement extends HTMLElement {
    public boolean getDisabled();
    public void setDisabled(boolean disabled);

    public String getMedia();
    public void setMedia(String media);

    public String getType();
    public void setType(String type);
}
```

org/w3c/dom/html/HTMLBodyElement.java:

```
package org.w3c.dom.html;

public interface HTMLBodyElement extends HTMLElement {
    public String getALink();
    public void setALink(String aLink);

    public String getBackground();
    public void setBackground(String background);

    public String getBgColor();
    public void setBgColor(String bgColor);

    public String getLink();
    public void setLink(String link);

    public String getText();
    public void setText(String text);

    public String getVLink();
    public void setVLink(String vLink);
}
```

org/w3c/dom/html/HTMLFormElement.java:

```
package org.w3c.dom.html;

public interface HTMLFormElement extends HTMLElement {
    public HTMLCollection getElements();

    public int getLength();

    public String getName();
    public void setName(String name);

    public String getAcceptCharset();
    public void setAcceptCharset(String acceptCharset);

    public String getAction();
    public void setAction(String action);

    public String getEnctype();
    public void setEnctype(String enctype);

    public String getMethod();
    public void setMethod(String method);

    public String getTarget();
    public void setTarget(String target);

    public void submit();

    public void reset();
}
```

org/w3c/dom/html/HTMLSelectElement.java:

```
package org.w3c.dom.html;

import org.w3c.dom.DOMException;

public interface HTMLSelectElement extends HTMLElement {
    public String getType();

    public int getSelectedIndex();
    public void setSelectedIndex(int selectedIndex);

    public String getValue();
    public void setValue(String value);

    public int getLength();

    public HTMLFormElement getForm();

    public HTMLCollection getOptions();

    public boolean getDisabled();
    public void setDisabled(boolean disabled);
}
```

```
public boolean getMultiple();
public void setMultiple(boolean multiple);

public String getName();
public void setName(String name);

public int getSize();
public void setSize(int size);

public int getTabIndex();
public void setTabIndex(int tabIndex);

public void add(HTMLElement element,
               HTMLElement before)
               throws DOMException;

public void remove(int index);

public void blur();

public void focus();
}
```

org/w3c/dom/html/HTMLOptGroupElement.java:

```
package org.w3c.dom.html;

public interface HTMLOptGroupElement extends HTMLElement {
    public boolean getDisabled();
    public void setDisabled(boolean disabled);

    public String getLabel();
    public void setLabel(String label);
}
```

org/w3c/dom/html/HTMLOptionElement.java:

```
package org.w3c.dom.html;

public interface HTMLOptionElement extends HTMLElement {
    public HTMLFormElement getForm();

    public boolean getDefaultSelected();
    public void setDefaultSelected(boolean defaultSelected);

    public String getText();

    public int getIndex();

    public boolean getDisabled();
    public void setDisabled(boolean disabled);

    public String getLabel();
}
```

```
public void setLabel(String label);

public boolean getSelected();
public void setSelected(boolean selected);

public String getValue();
public void setValue(String value);

}
```

org/w3c/dom/html/HTMLInputElement.java:

```
package org.w3c.dom.html;

public interface HTMLInputElement extends HTMLElement {
    public String getDefaultValue();
    public void setDefaultValue(String defaultValue);

    public boolean getDefaultChecked();
    public void setDefaultChecked(boolean defaultChecked);

    public HTMLFormElement getForm();

    public String getAccept();
    public void setAccept(String accept);

    public String getAccessKey();
    public void setAccessKey(String accessKey);

    public String getAlign();
    public void setAlign(String align);

    public String getAlt();
    public void setAlt(String alt);

    public boolean getChecked();
    public void setChecked(boolean checked);

    public boolean getDisabled();
    public void setDisabled(boolean disabled);

    public int getMaxLength();
    public void setMaxLength(int maxLength);

    public String getName();
    public void setName(String name);

    public boolean getReadOnly();
    public void setReadOnly(boolean readOnly);

    public String getSize();
    public void setSize(String size);

    public String getSrc();
    public void setSrc(String src);
}
```

```
public int getTabIndex();
public void setTabIndex(int tabIndex);

public String getType();

public String getUseMap();
public void setUseMap(String useMap);

public String getValue();
public void setValue(String value);

public void blur();

public void focus();

public void select();

public void click();
}
```

org/w3c/dom/html/HTMLTextAreaElement.java:

```
package org.w3c.dom.html;

public interface HTMLTextAreaElement extends HTMLElement {
    public String getDefaultValue();
    public void setDefaultValue(String defaultValue);

    public HTMLFormElement getForm();

    public String getAccessKey();
    public void setAccessKey(String accessKey);

    public int getCols();
    public void setCols(int cols);

    public boolean getDisabled();
    public void setDisabled(boolean disabled);

    public String getName();
    public void setName(String name);

    public boolean getReadOnly();
    public void setReadOnly(boolean readOnly);

    public int getRows();
    public void setRows(int rows);

    public int getTabIndex();
    public void setTabIndex(int tabIndex);

    public String getType();

    public String getValue();
    public void setValue(String value);
}
```

```
public void blur();  
public void focus();  
public void select();  
}
```

org/w3c/dom/html/HTMLButtonElement.java:

```
package org.w3c.dom.html;  
  
public interface HTMLButtonElement extends HTMLElement {  
    public HTMLFormElement getForm();  
  
    public String getAccessKey();  
    public void setAccessKey(String accessKey);  
  
    public boolean getDisabled();  
    public void setDisabled(boolean disabled);  
  
    public String getName();  
    public void setName(String name);  
  
    public int getTabIndex();  
    public void setTabIndex(int tabIndex);  
  
    public String getType();  
  
    public String getValue();  
    public void setValue(String value);  
}
```

org/w3c/dom/html/HTMLLabelElement.java:

```
package org.w3c.dom.html;  
  
public interface HTMLLabelElement extends HTMLElement {  
    public HTMLFormElement getForm();  
  
    public String getAccessKey();  
    public void setAccessKey(String accessKey);  
  
    public String getHtmlFor();  
    public void setHtmlFor(String htmlFor);  
}
```

org/w3c/dom/html/HTMLFieldSetElement.java:

```
package org.w3c.dom.html;

public interface HTMLFieldSetElement extends HTMLElement {
    public HTMLFormElement getForm();
}
```

org/w3c/dom/html/HTMLLegendElement.java:

```
package org.w3c.dom.html;

public interface HTMLLegendElement extends HTMLElement {
    public HTMLFormElement getForm();

    public String getAccessKey();
    public void setAccessKey(String accessKey);

    public String getAlign();
    public void setAlign(String align);
}
```

org/w3c/dom/html/HTMLUListElement.java:

```
package org.w3c.dom.html;

public interface HTMLUListElement extends HTMLElement {
    public boolean getCompact();
    public void setCompact(boolean compact);

    public String getType();
    public void setType(String type);
}
```

org/w3c/dom/html/HTMLLOListElement.java:

```
package org.w3c.dom.html;

public interface HTMLLOListElement extends HTMLElement {
    public boolean getCompact();
    public void setCompact(boolean compact);

    public int getStart();
    public void setStart(int start);

    public String getType();
    public void setType(String type);
}
```

org/w3c/dom/html/HTMLDListElement.java:

```
package org.w3c.dom.html;

public interface HTMLDListElement extends HTMLElement {
    public boolean getCompact();
    public void setCompact(boolean compact);
}
```

org/w3c/dom/html/HTMLDirectoryElement.java:

```
package org.w3c.dom.html;

public interface HTMLDirectoryElement extends HTMLElement {
    public boolean getCompact();
    public void setCompact(boolean compact);
}
```

org/w3c/dom/html/HTMLMenuElement.java:

```
package org.w3c.dom.html;

public interface HTMLMenuElement extends HTMLElement {
    public boolean getCompact();
    public void setCompact(boolean compact);
}
```

org/w3c/dom/html/HTMLLIElement.java:

```
package org.w3c.dom.html;

public interface HTMLLIElement extends HTMLElement {
    public String getType();
    public void setType(String type);

    public int getValue();
    public void setValue(int value);
}
```

org/w3c/dom/html/HTMLDivElement.java:

```
package org.w3c.dom.html;

public interface HTMLDivElement extends HTMLElement {
    public String getAlign();
    public void setAlign(String align);
}
```


org/w3c/dom/html/HTMLParagraphElement.java:

```
package org.w3c.dom.html;

public interface HTMLParagraphElement extends HTMLElement {
    public String getAlign();
    public void setAlign(String align);
}
```

org/w3c/dom/html/HTMLHeadingElement.java:

```
package org.w3c.dom.html;

public interface HTMLHeadingElement extends HTMLElement {
    public String getAlign();
    public void setAlign(String align);
}
```

org/w3c/dom/html/HTMLQuoteElement.java:

```
package org.w3c.dom.html;

public interface HTMLQuoteElement extends HTMLElement {
    public String getCite();
    public void setCite(String cite);
}
```

org/w3c/dom/html/HTMLPreElement.java:

```
package org.w3c.dom.html;

public interface HTMLPreElement extends HTMLElement {
    public int getWidth();
    public void setWidth(int width);
}
```

org/w3c/dom/html/HTMLBRElement.java:

```
package org.w3c.dom.html;

public interface HTMLBRElement extends HTMLElement {
    public String getClear();
    public void setClear(String clear);
}
```

org/w3c/dom/html/HTMLBaseFontElement.java:

```
package org.w3c.dom.html;

public interface HTMLBaseFontElement extends HTMLElement {
    public String getColor();
    public void setColor(String color);

    public String getFace();
    public void setFace(String face);

    public String getSize();
    public void setSize(String size);
}
```

org/w3c/dom/html/HTMLFontElement.java:

```
package org.w3c.dom.html;

public interface HTMLFontElement extends HTMLElement {
    public String getColor();
    public void setColor(String color);

    public String getFace();
    public void setFace(String face);

    public String getSize();
    public void setSize(String size);
}
```

org/w3c/dom/html/HTMLHRElement.java:

```
package org.w3c.dom.html;

public interface HTMLHRElement extends HTMLElement {
    public String getAlign();
    public void setAlign(String align);

    public boolean getNoShade();
    public void setNoShade(boolean noShade);

    public String getSize();
    public void setSize(String size);

    public String getWidth();
    public void setWidth(String width);
}
```

org/w3c/dom/html/HTMLModElement.java:

```
package org.w3c.dom.html;

public interface HTMLModElement extends HTMLElement {
    public String getCite();
    public void setCite(String cite);

    public String getDateTime();
    public void setDateTime(String dateTime);
}
```

org/w3c/dom/html/HTMLAnchorElement.java:

```
package org.w3c.dom.html;

public interface HTMLAnchorElement extends HTMLElement {
    public String getAccessKey();
    public void setAccessKey(String accessKey);

    public String getCharset();
    public void setCharset(String charset);

    public String getCoords();
    public void setCoords(String coords);

    public String getHref();
    public void setHref(String href);

    public String getHreflang();
    public void setHreflang(String hreflang);

    public String getName();
    public void setName(String name);

    public String getRel();
    public void setRel(String rel);

    public String getRev();
    public void setRev(String rev);

    public String getShape();
    public void setShape(String shape);

    public int getTabIndex();
    public void setTabIndex(int tabIndex);

    public String getTarget();
    public void setTarget(String target);

    public String getType();
    public void setType(String type);

    public void blur();
}
```

```
    public void focus();  
}
```

org/w3c/dom/html/HTMLImageElement.java:

```
package org.w3c.dom.html;  
  
public interface HTMLImageElement extends HTMLElement {  
    public String getLowSrc();  
    public void setLowSrc(String lowSrc);  
  
    public String getName();  
    public void setName(String name);  
  
    public String getAlign();  
    public void setAlign(String align);  
  
    public String getAlt();  
    public void setAlt(String alt);  
  
    public String getBorder();  
    public void setBorder(String border);  
  
    public String getHeight();  
    public void setHeight(String height);  
  
    public String getHspace();  
    public void setHspace(String hspace);  
  
    public boolean getIsMap();  
    public void setIsMap(boolean isMap);  
  
    public String getLongDesc();  
    public void setLongDesc(String longDesc);  
  
    public String getSrc();  
    public void setSrc(String src);  
  
    public String getUseMap();  
    public void setUseMap(String useMap);  
  
    public String getVspace();  
    public void setVspace(String vspace);  
  
    public String getWidth();  
    public void setWidth(String width);  
}
```

org/w3c/dom/html/HTMLObjectElement.java:

```
package org.w3c.dom.html;

import org.w3c.dom.Document;

public interface HTMLObjectElement extends HTMLElement {
    public HTMLFormElement getForm();

    public String getCode();
    public void setCode(String code);

    public String getAlign();
    public void setAlign(String align);

    public String getArchive();
    public void setArchive(String archive);

    public String getBorder();
    public void setBorder(String border);

    public String getCodeBase();
    public void setCodeBase(String codeBase);

    public String getCodeType();
    public void setCodeType(String codeType);

    public String getData();
    public void setData(String data);

    public boolean getDeclare();
    public void setDeclare(boolean declare);

    public String getHeight();
    public void setHeight(String height);

    public String getHspace();
    public void setHspace(String hspace);

    public String getName();
    public void setName(String name);

    public String getStandby();
    public void setStandby(String standby);

    public int getTabIndex();
    public void setTabIndex(int tabIndex);

    public String getType();
    public void setType(String type);

    public String getUseMap();
    public void setUseMap(String useMap);

    public String getVspace();
    public void setVspace(String vspace);
}
```

org/w3c/dom/html/HTMLParamElement.java:

```
public String getWidth();
public void setWidth(String width);

public Document getContentDocument();
public void setContentDocument(Document contentDocument);
}
```

org/w3c/dom/html/HTMLParamElement.java:

```
package org.w3c.dom.html;

public interface HTMLParamElement extends HTMLElement {
    public String getName();
    public void setName(String name);

    public String getType();
    public void setType(String type);

    public String getValue();
    public void setValue(String value);

    public String getValueType();
    public void setValueType(String valueType);
}
```

org/w3c/dom/html/HTMLAppletElement.java:

```
package org.w3c.dom.html;

public interface HTMLAppletElement extends HTMLElement {
    public String getAlign();
    public void setAlign(String align);

    public String getAlt();
    public void setAlt(String alt);

    public String getArchive();
    public void setArchive(String archive);

    public String getCode();
    public void setCode(String code);

    public String getCodeBase();
    public void setCodeBase(String codeBase);

    public String getHeight();
    public void setHeight(String height);

    public String getHspace();
    public void setHspace(String hspace);

    public String getName();
    public void setName(String name);
}
```

```
public String getObject();
public void setObject(String object);

public String getVspace();
public void setVspace(String vspace);

public String getWidth();
public void setWidth(String width);
}
```

org/w3c/dom/html/HTMLMapElement.java:

```
package org.w3c.dom.html;

public interface HTMLMapElement extends HTMLElement {
    public HTMLCollection getAreas();

    public String getName();
    public void setName(String name);
}
```

org/w3c/dom/html/HTMLAreaElement.java:

```
package org.w3c.dom.html;

public interface HTMLAreaElement extends HTMLElement {
    public String getAccessKey();
    public void setAccessKey(String accessKey);

    public String getAlt();
    public void setAlt(String alt);

    public String getCoords();
    public void setCoords(String coords);

    public String getHref();
    public void setHref(String href);

    public boolean getNoHref();
    public void setNoHref(boolean noHref);

    public String getShape();
    public void setShape(String shape);

    public int getTabIndex();
    public void setTabIndex(int tabIndex);

    public String getTarget();
    public void setTarget(String target);
}
```

org/w3c/dom/html/HTMLScriptElement.java:

```
package org.w3c.dom.html;

public interface HTMLScriptElement extends HTMLElement {
    public String getText();
    public void setText(String text);

    public String getHtmlFor();
    public void setHtmlFor(String htmlFor);

    public String getEvent();
    public void setEvent(String event);

    public String getCharset();
    public void setCharset(String charset);

    public boolean getDefer();
    public void setDefer(boolean defer);

    public String getSrc();
    public void setSrc(String src);

    public String getType();
    public void setType(String type);
}
```

org/w3c/dom/html/HTMLTableElement.java:

```
package org.w3c.dom.html;

import org.w3c.dom.DOMException;

public interface HTMLTableElement extends HTMLElement {
    public HTMLTableCaptionElement getCaption();
    public void setCaption(HTMLTableCaptionElement caption);

    public HTMLTableSectionElement getTHead();
    public void setTHead(HTMLTableSectionElement tHead);

    public HTMLTableSectionElement getTFoot();
    public void setTFoot(HTMLTableSectionElement tFoot);

    public HTMLCollection getRows();

    public HTMLCollection getTBodies();

    public String getAlign();
    public void setAlign(String align);

    public String getBgColor();
    public void setBgColor(String bgColor);

    public String getBorder();
    public void setBorder(String border);
}
```


org/w3c/dom/html/HTMLTableCaptionElement.java:

```
public String getCellPadding();
public void setCellPadding(String cellPadding);

public String getCellSpacing();
public void setCellSpacing(String cellSpacing);

public String getFrame();
public void setFrame(String frame);

public String getRules();
public void setRules(String rules);

public String getSummary();
public void setSummary(String summary);

public String getWidth();
public void setWidth(String width);

public HTMLElement createTHead();

public void deleteTHead();

public HTMLElement createTFoot();

public void deleteTFoot();

public HTMLElement createCaption();

public void deleteCaption();

public HTMLElement insertRow(int index)
                           throws DOMException;

public void deleteRow(int index)
                  throws DOMException;
}
```

org/w3c/dom/html/HTMLTableCaptionElement.java:

```
package org.w3c.dom.html;

public interface HTMLTableCaptionElement extends HTMLElement {
    public String getAlign();
    public void setAlign(String align);
}
```

org/w3c/dom/html/HTMLTableColElement.java:

```
package org.w3c.dom.html;

public interface HTMLTableColElement extends HTMLElement {
    public String getAlign();
    public void setAlign(String align);
}
```

org/w3c/dom/html/HTMLTableSectionElement.java:

```
public String getCh();
public void setCh(String ch);

public String getChOff();
public void setChOff(String chOff);

public int getSpan();
public void setSpan(int span);

public String getVAlign();
public void setVAlign(String vAlign);

public String getWidth();
public void setWidth(String width);
}
```

org/w3c/dom/html/HTMLTableSectionElement.java:

```
package org.w3c.dom.html;

import org.w3c.dom.DOMException;

public interface HTMLTableSectionElement extends HTMLElement {
    public String getAlign();
    public void setAlign(String align);

    public String getCh();
    public void setCh(String ch);

    public String getChOff();
    public void setChOff(String chOff);

    public String getVAlign();
    public void setVAlign(String vAlign);

    public HTMLCollection getRows();

    public HTMLElement insertRow(int index)
        throws DOMException;

    public void deleteRow(int index)
        throws DOMException;
}
```

org/w3c/dom/html/HTMLTableRowElement.java:

```
package org.w3c.dom.html;

import org.w3c.dom.DOMException;

public interface HTMLTableRowElement extends HTMLElement {
    public int getRowIndex();
}
```

```
public int getSectionRowIndex();

public HTMLCollection getCells();

public String getAlign();
public void setAlign(String align);

public String getBgColor();
public void setBgColor(String bgColor);

public String getCh();
public void setCh(String ch);

public String getChOff();
public void setChOff(String chOff);

public String getVAlign();
public void setVAlign(String vAlign);

public HTMLElement insertCell(int index)
                             throws DOMException;

public void deleteCell(int index)
                  throws DOMException;
}
```

org/w3c/dom/html/HTMLTableCellElement.java:

```
package org.w3c.dom.html;

public interface HTMLTableCellElement extends HTMLElement {
    public int getCellIndex();

    public String getAbbr();
    public void setAbbr(String abbr);

    public String getAlign();
    public void setAlign(String align);

    public String getAxis();
    public void setAxis(String axis);

    public String getBgColor();
    public void setBgColor(String bgColor);

    public String getCh();
    public void setCh(String ch);

    public String getChOff();
    public void setChOff(String chOff);

    public int getColSpan();
    public void setColSpan(int colSpan);

    public String getHeaders();
```

```
public void setHeaders(String headers);

public String getHeight();
public void setHeight(String height);

public boolean getNoWrap();
public void setNoWrap(boolean noWrap);

public int getRowSpan();
public void setRowSpan(int rowSpan);

public String getScope();
public void setScope(String scope);

public String getVAlign();
public void setVAlign(String vAlign);

public String getWidth();
public void setWidth(String width);
}
```

org/w3c/dom/html/HTMLFrameSetElement.java:

```
package org.w3c.dom.html;

public interface HTMLFrameSetElement extends HTMLElement {
    public String getCols();
    public void setCols(String cols);

    public String getRows();
    public void setRows(String rows);
}
```

org/w3c/dom/html/HTMLFrameElement.java:

```
package org.w3c.dom.html;

import org.w3c.dom.Document;

public interface HTMLFrameElement extends HTMLElement {
    public String getFrameBorder();
    public void setFrameBorder(String frameBorder);

    public String getLongDesc();
    public void setLongDesc(String longDesc);

    public String getMarginHeight();
    public void setMarginHeight(String marginHeight);

    public String getMarginWidth();
    public void setMarginWidth(String marginWidth);

    public String getName();
    public void setName(String name);
}
```

```
public boolean getNoResize();
public void setNoResize(boolean noResize);

public String getScrolling();
public void setScrolling(String scrolling);

public String getSrc();
public void setSrc(String src);

public Document getContentDocument();
public void setContentDocument(Document contentDocument);
}
```

org/w3c/dom/html/HTMLIFrameElement.java:

```
package org.w3c.dom.html;

import org.w3c.dom.Document;

public interface HTMLIFrameElement extends HTMLElement {
    public String getAlign();
    public void setAlign(String align);

    public String getFrameBorder();
    public void setFrameBorder(String frameBorder);

    public String getHeight();
    public void setHeight(String height);

    public String getLongDesc();
    public void setLongDesc(String longDesc);

    public String getMarginHeight();
    public void setMarginHeight(String marginHeight);

    public String getMarginWidth();
    public void setMarginWidth(String marginWidth);

    public String getName();
    public void setName(String name);

    public String getScrolling();
    public void setScrolling(String scrolling);

    public String getSrc();
    public void setSrc(String src);

    public String getWidth();
    public void setWidth(String width);

    public Document getContentDocument();
    public void setContentDocument(Document contentDocument);
}
```

D.3: Document Object Model Views

org/w3c/dom/views/AbstractView.java:

```
package org.w3c.dom.views;

public interface AbstractView {
    public DocumentView getDocument();
}

```

org/w3c/dom/views/DocumentView.java:

```
package org.w3c.dom.views;

public interface DocumentView {
    public AbstractView getDefaultView();
}

```

D.4: Document Object Model StyleSheets

org/w3c/dom/stylesheets/StyleSheet.java:

```
package org.w3c.dom.stylesheets;

import org.w3c.dom.Node;

public interface StyleSheet {
    public String getType();

    public boolean getDisabled();
    public void setDisabled(boolean disabled);

    public Node getOwnerNode();

    public StyleSheet getParentStyleSheet();

    public String getHref();

    public String getTitle();

    public MediaList getMedia();
}

```

org/w3c/dom/stylesheets/StyleSheetList.java:

```
package org.w3c.dom.stylesheets;

public interface StyleSheetList {
    public int getLength();
}

```

```

    public StyleSheet item(int index);
}

```

org/w3c/dom/stylesheets/MediaList.java:

```

package org.w3c.dom.stylesheets;

import org.w3c.dom.DOMException;

public interface MediaList {
    public String getMediaText();
    public void setMediaText(String mediaText)
        throws DOMException;

    public int getLength();

    public String item(int index);

    public void delete(String oldMedium)
        throws DOMException;

    public void append(String newMedium)
        throws DOMException;
}

```

org/w3c/dom/stylesheets/LinkStyle.java:

```

package org.w3c.dom.stylesheets;

public interface LinkStyle {
    public StyleSheet getSheet();
}

```

org/w3c/dom/stylesheets/DocumentStyle.java:

```

package org.w3c.dom.stylesheets;

public interface DocumentStyle {
    public StyleSheetList getStyleSheets();
}

```

D.5: Document Object Model CSS

org/w3c/dom/css/CSSStyleSheet.java:

```
package org.w3c.dom.css;

import org.w3c.dom.DOMException;
import org.w3c.dom.stylesheets.StyleSheet;

public interface CSSStyleSheet extends StyleSheet {
    public CSSRule getOwnerRule();

    public CSSRuleList getCssRules();

    public int insertRule(String rule,
        int index)
        throws DOMException;

    public void deleteRule(int index)
        throws DOMException;
}
```

org/w3c/dom/css/CSSRuleList.java:

```
package org.w3c.dom.css;

public interface CSSRuleList {
    public int getLength();

    public CSSRule item(int index);
}
```

org/w3c/dom/css/CSSRule.java:

```
package org.w3c.dom.css;

import org.w3c.dom.DOMException;

public interface CSSRule {
    // RuleType
    public static final short UNKNOWN_RULE           = 0;
    public static final short STYLE_RULE            = 1;
    public static final short CHARSET_RULE          = 2;
    public static final short IMPORT_RULE           = 3;
    public static final short MEDIA_RULE            = 4;
    public static final short FONT_FACE_RULE        = 5;
    public static final short PAGE_RULE             = 6;

    public short getType();

    public String getCssText();
    public void setCssText(String cssText)
        throws DOMException;

    public CSSStyleSheet getParentStyleSheet();
}
```



```
    public CSSRule getParentRule();  
}
```

org/w3c/dom/css/CSSStyleRule.java:

```
package org.w3c.dom.css;  
  
import org.w3c.dom.DOMException;  
  
public interface CSSStyleRule extends CSSRule {  
    public String getSelectorText();  
    public void setSelectorText(String selectorText)  
        throws DOMException;  
  
    public CSSStyleDeclaration getStyle();  
}
```

org/w3c/dom/css/CSSMediaRule.java:

```
package org.w3c.dom.css;  
  
import org.w3c.dom.DOMException;  
import org.w3c.dom.stylesheets.MediaList;  
  
public interface CSSMediaRule extends CSSRule {  
    public MediaList getMedia();  
  
    public CSSRuleList getCssRules();  
  
    public int insertRule(String rule,  
        int index)  
        throws DOMException;  
  
    public void deleteRule(int index)  
        throws DOMException;  
}
```

org/w3c/dom/css/CSSFontFaceRule.java:

```
package org.w3c.dom.css;  
  
public interface CSSFontFaceRule extends CSSRule {  
    public CSSStyleDeclaration getStyle();  
}
```

org/w3c/dom/css/CSSPageRule.java:

```
package org.w3c.dom.css;

import org.w3c.dom.DOMException;

public interface CSSPageRule extends CSSRule {
    public String getSelectorText();
    public void setSelectorText(String selectorText)
        throws DOMException;

    public CSSStyleDeclaration getStyle();
}
```

org/w3c/dom/css/CSSImportRule.java:

```
package org.w3c.dom.css;

import org.w3c.dom.stylesheets.MediaList;

public interface CSSImportRule extends CSSRule {
    public String getHref();

    public MediaList getMedia();

    public CSSStyleSheet getStyleSheet();
}
```

org/w3c/dom/css/CSSCharsetRule.java:

```
package org.w3c.dom.css;

import org.w3c.dom.DOMException;

public interface CSSCharsetRule extends CSSRule {
    public String getEncoding();
    public void setEncoding(String encoding)
        throws DOMException;
}
```

org/w3c/dom/css/CSSUnknownRule.java:

```
package org.w3c.dom.css;

public interface CSSUnknownRule extends CSSRule {
}
```

org/w3c/dom/css/CSSStyleDeclaration.java:

```
package org.w3c.dom.css;

import org.w3c.dom.DOMException;

public interface CSSStyleDeclaration {
    public String getCssText();
    public void setCssText(String cssText)
        throws DOMException;

    public String getPropertyValue(String propertyName);

    public CSSValue getPropertyCSSValue(String propertyName);

    public String removeProperty(String propertyName)
        throws DOMException;

    public String getPropertyPriority(String propertyName);

    public void setProperty(String propertyName,
        String value,
        String priority)
        throws DOMException;

    public int getLength();

    public String item(int index);

    public CSSRule getParentRule();
}

```

org/w3c/dom/css/CSSValue.java:

```
package org.w3c.dom.css;

import org.w3c.dom.DOMException;

public interface CSSValue {
    // UnitTypes
    public static final short CSS_INHERIT           = 0;
    public static final short CSS_PRIMITIVE_VALUE  = 1;
    public static final short CSS_VALUE_LIST       = 2;
    public static final short CSS_CUSTOM           = 3;

    public String getCssText();
    public void setCssText(String cssText)
        throws DOMException;

    public short getValueType();
}

```

org/w3c/dom/css/CSSPrimitiveValue.java:

```

package org.w3c.dom.css;

import org.w3c.dom.DOMException;

public interface CSSPrimitiveValue extends CSSValue {
    // UnitTypes
    public static final short CSS_UNKNOWN          = 0;
    public static final short CSS_NUMBER          = 1;
    public static final short CSS_PERCENTAGE      = 2;
    public static final short CSS_EMS            = 3;
    public static final short CSS_EXS           = 4;
    public static final short CSS_PX            = 5;
    public static final short CSS_CM            = 6;
    public static final short CSS_MM            = 7;
    public static final short CSS_IN            = 8;
    public static final short CSS_PT            = 9;
    public static final short CSS_PC            = 10;
    public static final short CSS_DEG          = 11;
    public static final short CSS_RAD           = 12;
    public static final short CSS_GRAD         = 13;
    public static final short CSS_MS           = 14;
    public static final short CSS_S            = 15;
    public static final short CSS_HZ           = 16;
    public static final short CSS_KHZ          = 17;
    public static final short CSS_DIMENSION    = 18;
    public static final short CSS_STRING       = 19;
    public static final short CSS_URI          = 20;
    public static final short CSS_IDENT        = 21;
    public static final short CSS_ATTR         = 22;
    public static final short CSS_COUNTER      = 23;
    public static final short CSS_RECT         = 24;
    public static final short CSS_RGBCOLOR     = 25;

    public short getPrimitiveType();

    public void setFloatValue(short unitType,
                              float floatValue)
        throws DOMException;

    public float getFloatValue(short unitType)
        throws DOMException;

    public void setStringValue(short stringType,
                               String stringValue)
        throws DOMException;

    public String getStringValue()
        throws DOMException;

    public Counter getCounterValue()
        throws DOMException;

    public Rect getRectValue()
        throws DOMException;

```

```
    public RGBColor getRGBColorValue()  
        throws DOMException;  
}
```

org/w3c/dom/css/CSSValueList.java:

```
package org.w3c.dom.css;  
  
public interface CSSValueList extends CSSValue {  
    public int getLength();  
  
    public CSSValue item(int index);  
}
```

org/w3c/dom/css/RGBColor.java:

```
package org.w3c.dom.css;  
  
public interface RGBColor {  
    public CSSPrimitiveValue getRed();  
  
    public CSSPrimitiveValue getGreen();  
  
    public CSSPrimitiveValue getBlue();  
}
```

org/w3c/dom/css/Rect.java:

```
package org.w3c.dom.css;  
  
public interface Rect {  
    public CSSPrimitiveValue getTop();  
  
    public CSSPrimitiveValue getRight();  
  
    public CSSPrimitiveValue getBottom();  
  
    public CSSPrimitiveValue getLeft();  
}
```

org/w3c/dom/css/Counter.java:

```
package org.w3c.dom.css;  
  
public interface Counter {  
    public String getIdentifier();  
  
    public String getListStyle();  
}
```

```
    public String getSeparator();  
}
```

org/w3c/dom/css/ViewCSS.java:

```
package org.w3c.dom.css;  
  
import org.w3c.dom.Element;  
import org.w3c.dom.views.AbstractView;  
  
public interface ViewCSS extends AbstractView {  
    public CSSStyleDeclaration getComputedStyle(Element elt,  
                                                String pseudoElt);  
}
```

org/w3c/dom/css/DocumentCSS.java:

```
package org.w3c.dom.css;  
  
import org.w3c.dom.Element;  
import org.w3c.dom.stylesheets.DocumentStyle;  
  
public interface DocumentCSS extends DocumentStyle {  
    public CSSStyleDeclaration getOverrideStyle(Element elt,  
                                                String pseudoElt);  
}
```

org/w3c/dom/css/DOMImplementationCSS.java:

```
package org.w3c.dom.css;  
  
import org.w3c.dom.DOMImplementation;  
  
public interface DOMImplementationCSS extends DOMImplementation {  
    public CSSStyleSheet createCSSStyleSheet(String title,  
                                             String media);  
}
```

org/w3c/dom/css/ElementCSSInlineStyle.java:

```
package org.w3c.dom.css;  
  
public interface ElementCSSInlineStyle {  
    public CSSStyleDeclaration getStyle();  
}
```

org/w3c/dom/css/CSS2Azimuth.java:

```
package org.w3c.dom.css;

import org.w3c.dom.DOMException;

public interface CSS2Azimuth extends CSSValue {
    public short getAzimuthType();

    public String getIdentifier();

    public boolean getBehind();

    public void setAngleValue(short uType,
                              float fValue)
        throws DOMException;

    public float getAngleValue(short uType)
        throws DOMException;

    public void setIdentifier(String ident,
                              boolean b)
        throws DOMException;
}
```

org/w3c/dom/css/CSS2BackgroundPosition.java:

```
package org.w3c.dom.css;

import org.w3c.dom.DOMException;

public interface CSS2BackgroundPosition extends CSSValue {
    public short getHorizontalType();

    public short getVerticalType();

    public String getHorizontalIdentifier();

    public String getVerticalIdentifier();

    public float getHorizontalPosition(float hType)
        throws DOMException;

    public float getVerticalPosition(float vType)
        throws DOMException;

    public void setHorizontalPosition(short hType,
                                      float value)
        throws DOMException;

    public void setVerticalPosition(short vType,
                                    float value)
        throws DOMException;

    public void setPositionIdentifier(String hIdentifier,
```

```
        String vIdentifier)
        throws DOMException;
}
```

org/w3c/dom/css/CSS2BorderSpacing.java:

```
package org.w3c.dom.css;

import org.w3c.dom.DOMException;

public interface CSS2BorderSpacing extends CSSValue {
    public short getHorizontalType();

    public short getVerticalType();

    public float getHorizontalSpacing(float hType)
        throws DOMException;

    public float getVerticalSpacing(float vType)
        throws DOMException;

    public void setHorizontalSpacing(short hType,
        float value)
        throws DOMException;

    public void setVerticalSpacing(short vType,
        float value)
        throws DOMException;
}
```

org/w3c/dom/css/CSS2CounterReset.java:

```
package org.w3c.dom.css;

import org.w3c.dom.DOMException;

public interface CSS2CounterReset extends CSSValue {
    public String getIdentifier();
    public void setIdentifier(String identifier)
        throws DOMException;

    public short getReset();
    public void setReset(short reset)
        throws DOMException;
}
```


org/w3c/dom/css/CSS2CounterIncrement.java:

```
package org.w3c.dom.css;

import org.w3c.dom.DOMException;

public interface CSS2CounterIncrement extends CSSValue {
    public String getIdentifier();
    public void setIdentifier(String identifier)
        throws DOMException;

    public short getIncrement();
    public void setIncrement(short increment)
        throws DOMException;
}
```

org/w3c/dom/css/CSS2Cursor.java:

```
package org.w3c.dom.css;

import org.w3c.dom.DOMException;

public interface CSS2Cursor extends CSSValue {
    public CSSValueList getUris();

    public String getPredefinedCursor();
    public void setPredefinedCursor(String predefinedCursor)
        throws DOMException;
}
```

org/w3c/dom/css/CSS2PlayDuring.java:

```
package org.w3c.dom.css;

import org.w3c.dom.DOMException;

public interface CSS2PlayDuring extends CSSValue {
    public short getPlayDuringType();

    public String getPlayDuringIdentifier();
    public void setPlayDuringIdentifier(String playDuringIdentifier)
        throws DOMException;

    public String getUri();
    public void setUri(String uri)
        throws DOMException;

    public boolean getMix();
    public void setMix(boolean mix)
        throws DOMException;

    public boolean getRepeat();
}
```

```
    public void setRepeat(boolean repeat)
                               throws DOMException;
}
```

org/w3c/dom/css/CSS2TextShadow.java:

```
package org.w3c.dom.css;

public interface CSS2TextShadow {
    public CSSValue getColor();

    public CSSValue getHorizontal();

    public CSSValue getVertical();

    public CSSValue getBlur();
}
```

org/w3c/dom/css/CSS2FontFaceSrc.java:

```
package org.w3c.dom.css;

import org.w3c.dom.DOMException;

public interface CSS2FontFaceSrc {
    public String getUri();
    public void setUri(String uri)
                               throws DOMException;

    public CSSValueList getFormat();

    public String getFontFaceName();
    public void setFontFaceName(String fontFaceName)
                               throws DOMException;
}
```

org/w3c/dom/css/CSS2FontFaceWidths.java:

```
package org.w3c.dom.css;

import org.w3c.dom.DOMException;

public interface CSS2FontFaceWidths {
    public String getUrange();
    public void setUrange(String urange)
                               throws DOMException;

    public CSSValueList getNumbers();
}
```

org/w3c/dom/css/CSS2PageSize.java:

```
package org.w3c.dom.css;

import org.w3c.dom.DOMException;

public interface CSS2PageSize extends CSSValue {
    public short getWidthType();

    public short getHeightType();

    public String getIdentifier();

    public float getWidth(float wType)
        throws DOMException;

    public float getHeightSize(float hType)
        throws DOMException;

    public void setWidthSize(short wType,
        float value)
        throws DOMException;

    public void setHeightSize(short hType,
        float value)
        throws DOMException;

    public void setIdentifier(String ident)
        throws DOMException;
}
```

org/w3c/dom/css/CSS2Properties.java:

```
package org.w3c.dom.css;

import org.w3c.dom.DOMException;

public interface CSS2Properties {
    public String getAzimuth();
    public void setAzimuth(String azimuth)
        throws DOMException;

    public String getBackground();
    public void setBackground(String background)
        throws DOMException;

    public String getBackgroundAttachment();
    public void setBackgroundAttachment(String backgroundAttachment)
        throws DOMException;

    public String getBackgroundColor();
    public void setBackgroundColor(String backgroundColor)
        throws DOMException;

    public String getBackgroundImage();
```

```
public void setBackgroundImage(String backgroundImage)
    throws DOMException;

public String getBackgroundPosition();
public void setBackgroundPosition(String backgroundPosition)
    throws DOMException;

public String getBackgroundRepeat();
public void setBackgroundRepeat(String backgroundRepeat)
    throws DOMException;

public String getBorder();
public void setBorder(String border)
    throws DOMException;

public String getBorderCollapse();
public void setBorderCollapse(String borderCollapse)
    throws DOMException;

public String getBorderColor();
public void setBorderColor(String borderColor)
    throws DOMException;

public String getBorderSpacing();
public void setBorderSpacing(String borderSpacing)
    throws DOMException;

public String getBorderStyle();
public void setBorderStyle(String borderStyle)
    throws DOMException;

public String getBorderTop();
public void setBorderTop(String borderTop)
    throws DOMException;

public String getBorderRight();
public void setBorderRight(String borderRight)
    throws DOMException;

public String getBorderBottom();
public void setBorderBottom(String borderBottom)
    throws DOMException;

public String getBorderLeft();
public void setBorderLeft(String borderLeft)
    throws DOMException;

public String getBorderTopColor();
public void setBorderTopColor(String borderTopColor)
    throws DOMException;

public String getBorderRightColor();
public void setBorderRightColor(String borderRightColor)
    throws DOMException;

public String getBorderBottomColor();
public void setBorderBottomColor(String borderBottomColor)
```

```
        throws DOMException;

public String getBorderLeftColor();
public void setBorderLeftColor(String borderLeftColor)
        throws DOMException;

public String getBorderTopStyle();
public void setBorderTopStyle(String borderTopStyle)
        throws DOMException;

public String getBorderRightStyle();
public void setBorderRightStyle(String borderRightStyle)
        throws DOMException;

public String getBorderBottomStyle();
public void setBorderBottomStyle(String borderBottomStyle)
        throws DOMException;

public String getBorderLeftStyle();
public void setBorderLeftStyle(String borderLeftStyle)
        throws DOMException;

public String getBorderTopWidth();
public void setBorderTopWidth(String borderTopWidth)
        throws DOMException;

public String getBorderRightWidth();
public void setBorderRightWidth(String borderRightWidth)
        throws DOMException;

public String getBorderBottomWidth();
public void setBorderBottomWidth(String borderBottomWidth)
        throws DOMException;

public String getBorderLeftWidth();
public void setBorderLeftWidth(String borderLeftWidth)
        throws DOMException;

public String getBorderWidth();
public void setBorderWidth(String borderWidth)
        throws DOMException;

public String getBottom();
public void setBottom(String bottom)
        throws DOMException;

public String getCaptionSide();
public void setCaptionSide(String captionSide)
        throws DOMException;

public String getClear();
public void setClear(String clear)
        throws DOMException;

public String getClip();
public void setClip(String clip)
        throws DOMException;
```

```
public String getColor();
public void setColor(String color)
    throws DOMException;

public String getContent();
public void setContent(String content)
    throws DOMException;

public String getCounterIncrement();
public void setCounterIncrement(String counterIncrement)
    throws DOMException;

public String getCounterReset();
public void setCounterReset(String counterReset)
    throws DOMException;

public String getCue();
public void setCue(String cue)
    throws DOMException;

public String getCueAfter();
public void setCueAfter(String cueAfter)
    throws DOMException;

public String getCueBefore();
public void setCueBefore(String cueBefore)
    throws DOMException;

public String getCursor();
public void setCursor(String cursor)
    throws DOMException;

public String getDirection();
public void setDirection(String direction)
    throws DOMException;

public String getDisplay();
public void setDisplay(String display)
    throws DOMException;

public String getElevation();
public void setElevation(String elevation)
    throws DOMException;

public String getEmptyCells();
public void setEmptyCells(String emptyCells)
    throws DOMException;

public String getCssFloat();
public void setCssFloat(String cssFloat)
    throws DOMException;

public String getFont();
public void setFont(String font)
    throws DOMException;
```

```
public String getFontFamily();
public void setFontFamily(String fontFamily)
    throws DOMException;

public String getFontSize();
public void setFontSize(String fontSize)
    throws DOMException;

public String getFontSizeAdjust();
public void setFontSizeAdjust(String fontSizeAdjust)
    throws DOMException;

public String getFontStretch();
public void setFontStretch(String fontStretch)
    throws DOMException;

public String getFontStyle();
public void setFontStyle(String fontStyle)
    throws DOMException;

public String getFontVariant();
public void setFontVariant(String fontVariant)
    throws DOMException;

public String getFontWeight();
public void setFontWeight(String fontWeight)
    throws DOMException;

public String getHeight();
public void setHeight(String height)
    throws DOMException;

public String getLeft();
public void setLeft(String left)
    throws DOMException;

public String getLetterSpacing();
public void setLetterSpacing(String letterSpacing)
    throws DOMException;

public String getLineHeight();
public void setLineHeight(String lineHeight)
    throws DOMException;

public String getListStyle();
public void setListStyle(String listStyle)
    throws DOMException;

public String getListStyleImage();
public void setListStyleImage(String listStyleImage)
    throws DOMException;

public String getListStylePosition();
public void setListStylePosition(String listStylePosition)
    throws DOMException;

public String getListStyleType();
```

```
public void setListStyleType(String listStyleType)
    throws DOMException;

public String getMargin();
public void setMargin(String margin)
    throws DOMException;

public String getMarginTop();
public void setMarginTop(String marginTop)
    throws DOMException;

public String getMarginRight();
public void setMarginRight(String marginRight)
    throws DOMException;

public String getMarginBottom();
public void setMarginBottom(String marginBottom)
    throws DOMException;

public String getMarginLeft();
public void setMarginLeft(String marginLeft)
    throws DOMException;

public String getMarkerOffset();
public void setMarkerOffset(String markerOffset)
    throws DOMException;

public String getMarks();
public void setMarks(String marks)
    throws DOMException;

public String getMaxHeight();
public void setMaxHeight(String maxHeight)
    throws DOMException;

public String getMaxWidth();
public void setMaxWidth(String maxWidth)
    throws DOMException;

public String getMinHeight();
public void setMinHeight(String minHeight)
    throws DOMException;

public String getMinWidth();
public void setMinWidth(String minWidth)
    throws DOMException;

public String getOrphans();
public void setOrphans(String orphans)
    throws DOMException;

public String getOutline();
public void setOutline(String outline)
    throws DOMException;

public String getOutlineColor();
public void setOutlineColor(String outlineColor)
```



```
        throws DOMException;

public String getOutlineStyle();
public void setOutlineStyle(String outlineStyle)
        throws DOMException;

public String getOutlineWidth();
public void setOutlineWidth(String outlineWidth)
        throws DOMException;

public String getOverflow();
public void setOverflow(String overflow)
        throws DOMException;

public String getPadding();
public void setPadding(String padding)
        throws DOMException;

public String getPaddingTop();
public void setPaddingTop(String paddingTop)
        throws DOMException;

public String getPaddingRight();
public void setPaddingRight(String paddingRight)
        throws DOMException;

public String getPaddingBottom();
public void setPaddingBottom(String paddingBottom)
        throws DOMException;

public String getPaddingLeft();
public void setPaddingLeft(String paddingLeft)
        throws DOMException;

public String getPage();
public void setPage(String page)
        throws DOMException;

public String getPageBreakAfter();
public void setPageBreakAfter(String pageBreakAfter)
        throws DOMException;

public String getPageBreakBefore();
public void setPageBreakBefore(String pageBreakBefore)
        throws DOMException;

public String getPageBreakInside();
public void setPageBreakInside(String pageBreakInside)
        throws DOMException;

public String getPause();
public void setPause(String pause)
        throws DOMException;

public String getPauseAfter();
public void setPauseAfter(String pauseAfter)
        throws DOMException;
```

```
public String getPauseBefore();
public void setPauseBefore(String pauseBefore)
    throws DOMException;

public String getPitch();
public void setPitch(String pitch)
    throws DOMException;

public String getPitchRange();
public void setPitchRange(String pitchRange)
    throws DOMException;

public String getPlayDuring();
public void setPlayDuring(String playDuring)
    throws DOMException;

public String getPosition();
public void setPosition(String position)
    throws DOMException;

public String getQuotes();
public void setQuotes(String quotes)
    throws DOMException;

public String getRichness();
public void setRichness(String richness)
    throws DOMException;

public String getRight();
public void setRight(String right)
    throws DOMException;

public String getSize();
public void setSize(String size)
    throws DOMException;

public String getSpeak();
public void setSpeak(String speak)
    throws DOMException;

public String getSpeakHeader();
public void setSpeakHeader(String speakHeader)
    throws DOMException;

public String getSpeakNumeral();
public void setSpeakNumeral(String speakNumeral)
    throws DOMException;

public String getSpeakPunctuation();
public void setSpeakPunctuation(String speakPunctuation)
    throws DOMException;

public String getSpeechRate();
public void setSpeechRate(String speechRate)
    throws DOMException;
```

```
public String getStress();
public void setStress(String stress)
    throws DOMException;

public String getTableLayout();
public void setTableLayout(String tableLayout)
    throws DOMException;

public String getTextAlign();
public void setTextAlign(String textAlign)
    throws DOMException;

public String getTextDecoration();
public void setTextDecoration(String textDecoration)
    throws DOMException;

public String getTextIndent();
public void setTextIndent(String textIndent)
    throws DOMException;

public String getTextShadow();
public void setTextShadow(String textShadow)
    throws DOMException;

public String getTextTransform();
public void setTextTransform(String textTransform)
    throws DOMException;

public String getTop();
public void setTop(String top)
    throws DOMException;

public String getUnicodeBidi();
public void setUnicodeBidi(String unicodeBidi)
    throws DOMException;

public String getVerticalAlign();
public void setVerticalAlign(String verticalAlign)
    throws DOMException;

public String getVisibility();
public void setVisibility(String visibility)
    throws DOMException;

public String getVoiceFamily();
public void setVoiceFamily(String voiceFamily)
    throws DOMException;

public String getVolume();
public void setVolume(String volume)
    throws DOMException;

public String getWhiteSpace();
public void setWhiteSpace(String whiteSpace)
    throws DOMException;

public String getWidows();
```

```

public void setWidows(String widows)
    throws DOMException;

public String getWidth();
public void setWidth(String width)
    throws DOMException;

public String getWordSpacing();
public void setWordSpacing(String wordSpacing)
    throws DOMException;

public String getZIndex();
public void setZIndex(String zIndex)
    throws DOMException;
}

```

D.6: Document Object Model Events

org/w3c/dom/events/EventException.java:

```

package org.w3c.dom.events;

public class EventException extends RuntimeException {
    public EventException(short code, String message) {
        super(message);
        this.code = code;
    }
    public short code;
    // EventExceptionCode
    public static final short UNSPECIFIED_EVENT_TYPE_ERR = 0;
}

```

org/w3c/dom/events/EventTarget.java:

```

package org.w3c.dom.events;

public interface EventTarget {
    public void addEventListener(String type,
        EventListener listener,
        boolean useCapture);

    public void removeEventListener(String type,
        EventListener listener,
        boolean useCapture);

    public boolean dispatchEvent(Event evt)
        throws EventException;
}

```

org/w3c/dom/events/EventListener.java:

```
package org.w3c.dom.events;

public interface EventListener {
    public void handleEvent(Event evt);
}

```

org/w3c/dom/events/Event.java:

```
package org.w3c.dom.events;

import org.w3c.dom.Node;

public interface Event {
    // PhaseType
    public static final short CAPTURING_PHASE           = 1;
    public static final short AT_TARGET                 = 2;
    public static final short BUBBLING_PHASE            = 3;

    public String getType();

    public EventTarget getTarget();

    public Node getCurrentNode();

    public short getEventPhase();

    public boolean getBubbles();

    public boolean getCancelable();

    public long getTimeStamp();

    public void stopPropagation();

    public void preventDefault();

    public void initEvent(String eventTypeArg,
                          boolean canBubbleArg,
                          boolean cancelableArg);
}

```

org/w3c/dom/events/DocumentEvent.java:

```
package org.w3c.dom.events;

import org.w3c.dom.DOMException;

public interface DocumentEvent {

```

```
public Event createEvent(String eventType)
    throws DOMException;
}
```

org/w3c/dom/events/UIEvent.java:

```
package org.w3c.dom.events;

import org.w3c.dom.views.AbstractView;

public interface UIEvent extends Event {
    public AbstractView getView();

    public int getDetail();

    public void initUIEvent(String typeArg,
        boolean canBubbleArg,
        boolean cancelableArg,
        AbstractView viewArg,
        int detailArg);
}
```

org/w3c/dom/events/MouseEvent.java:

```
package org.w3c.dom.events;

import org.w3c.dom.Node;
import org.w3c.dom.views.AbstractView;

public interface MouseEvent extends UIEvent {
    public int getScreenX();

    public int getScreenY();

    public int getClientX();

    public int getClientY();

    public boolean getCtrlKey();

    public boolean getShiftKey();

    public boolean getAltKey();

    public boolean getMetaKey();

    public short getButton();

    public Node getRelatedNode();

    public void initMouseEvent(String typeArg,
        boolean canBubbleArg,
        boolean cancelableArg,
        AbstractView viewArg,
```

```

        int detailArg,
        int screenXArg,
        int screenYArg,
        int clientXArg,
        int clientYArg,
        boolean ctrlKeyArg,
        boolean altKeyArg,
        boolean shiftKeyArg,
        boolean metaKeyArg,
        short buttonArg,
        Node relatedNodeArg);
    }

```

org/w3c/dom/events/MutationEvent.java:

```

package org.w3c.dom.events;

import org.w3c.dom.Node;

public interface MutationEvent extends Event {
    public Node getRelatedNode();

    public String getPrevValue();

    public String getNewValue();

    public String getAttrName();

    public void initMutationEvent(String typeArg,
        boolean canBubbleArg,
        boolean cancelableArg,
        Node relatedNodeArg,
        String prevValueArg,
        String newValueArg,
        String attrNameArg);
}

```

D.7: Document Object Model Traversal

org/w3c/dom/traversal/NodeIterator.java:

```

package org.w3c.dom.traversal;

import org.w3c.dom.DOMException;
import org.w3c.dom.Node;

public interface NodeIterator {
    public Node getRoot();

    public int getWhatToShow();

    public NodeFilter getFilter();
}

```

```

public boolean getExpandEntityReferences();

public Node nextNode()
    throws DOMException;

public Node previousNode()
    throws DOMException;

public void detach();
}

```

org/w3c/dom/traversal/NodeFilter.java:

```

package org.w3c.dom.traversal;

import org.w3c.dom.Node;

public interface NodeFilter {
    // Constants returned by acceptNode
    public static final short FILTER_ACCEPT          = 1;
    public static final short FILTER_REJECT         = 2;
    public static final short FILTER_SKIP           = 3;

    // Constants for whatToShow
    public static final int SHOW_ALL                = 0xFFFFFFFF;
    public static final int SHOW_ELEMENT           = 0x00000001;
    public static final int SHOW_ATTRIBUTE         = 0x00000002;
    public static final int SHOW_TEXT              = 0x00000004;
    public static final int SHOW_CDATA_SECTION    = 0x00000008;
    public static final int SHOW_ENTITY_REFERENCE = 0x00000010;
    public static final int SHOW_ENTITY           = 0x00000020;
    public static final int SHOW_PROCESSING_INSTRUCTION = 0x00000040;
    public static final int SHOW_COMMENT          = 0x00000080;
    public static final int SHOW_DOCUMENT         = 0x00000100;
    public static final int SHOW_DOCUMENT_TYPE    = 0x00000200;
    public static final int SHOW_DOCUMENT_FRAGMENT = 0x00000400;
    public static final int SHOW_NOTATION         = 0x00000800;

    public short acceptNode(Node n);
}

```

org/w3c/dom/traversal/TreeWalker.java:

```

package org.w3c.dom.traversal;

import org.w3c.dom.DOMException;
import org.w3c.dom.Node;

public interface TreeWalker {
    public Node getRoot();

    public int getWhatToShow();

    public NodeFilter getFilter();
}

```



```

public boolean getExpandEntityReferences();

public Node getCurrentNode();
public void setCurrentNode(Node currentNode)
    throws DOMException;

public Node parentNode();

public Node firstChild();

public Node lastChild();

public Node previousSibling();

public Node nextSibling();

public Node previousNode();

public Node nextNode();
}

```

org/w3c/dom/traversal/DocumentTraversal.java:

```

package org.w3c.dom.traversal;

import org.w3c.dom.DOMException;
import org.w3c.dom.Node;

public interface DocumentTraversal {
    public NodeIterator createNodeIterator(Node root,
        int whatToShow,
        NodeFilter filter,
        boolean entityReferenceExpansion);

    public TreeWalker createTreeWalker(Node root,
        int whatToShow,
        NodeFilter filter,
        boolean entityReferenceExpansion)
        throws DOMException;
}

```

D.8: Document Object Model Range

org/w3c/dom/range/RangeException.java:

```

package org.w3c.dom.range;

public class RangeException extends RuntimeException {
    public RangeException(short code, String message) {
        super(message);
        this.code = code;
    }
}

```

```
public short    code;
// RangeExceptionCode
public static final short BAD_BOUNDARYPOINTS_ERR    = 1;
public static final short INVALID_NODE_TYPE_ERR    = 2;
}
```

org/w3c/dom/range/Range.java:

```
package org.w3c.dom.range;

import org.w3c.dom.DOMException;
import org.w3c.dom.DocumentFragment;
import org.w3c.dom.Node;

public interface Range {
    public Node getStartContainer()
                                   throws DOMException;

    public int getStartOffset()
                                   throws DOMException;

    public Node getEndContainer()
                                   throws DOMException;

    public int getEndOffset()
                                   throws DOMException;

    public boolean getCollapsed()
                                   throws DOMException;

    public Node getCommonAncestorContainer()
                                   throws DOMException;

    public void setStart(Node refNode,
                        int offset)
                    throws RangeException, DOMException;

    public void setEnd(Node refNode,
                      int offset)
                    throws RangeException, DOMException;

    public void setStartBefore(Node refNode)
                            throws RangeException, DOMException;

    public void setStartAfter(Node refNode)
                            throws RangeException, DOMException;

    public void setEndBefore(Node refNode)
                            throws RangeException, DOMException;

    public void setEndAfter(Node refNode)
                            throws RangeException, DOMException;

    public void collapse(boolean toStart)
                    throws DOMException;
}
```

```
public void selectNode(Node refNode)
    throws RangeException, DOMException;

public void selectNodeContents(Node refNode)
    throws RangeException, DOMException;

// CompareHow
public static final short START_TO_START      = 0;
public static final short START_TO_END      = 1;
public static final short END_TO_END        = 2;
public static final short END_TO_START      = 3;

public short compareBoundaryPoints(short how,
    Range sourceRange)
    throws DOMException;

public void deleteContents()
    throws DOMException;

public DocumentFragment extractContents()
    throws DOMException;

public DocumentFragment cloneContents()
    throws DOMException;

public void insertNode(Node newNode)
    throws DOMException, RangeException;

public void surroundContents(Node newParent)
    throws DOMException, RangeException;

public Range cloneRange()
    throws DOMException;

public String toString()
    throws DOMException;

public void detach()
    throws DOMException;
}
```

org/w3c/dom/range/DocumentRange.java:

```
package org.w3c.dom.range;

public interface DocumentRange {
    public Range createRange();
}
```

org/w3c/dom/range/DocumentRange.java:

Appendix E: ECMA Script Language Binding

This appendix contains the complete ECMA Script binding for the Level 2 Document Object Model definitions. The definitions are divided into Core [p.397] , HTML [p.403] , StyleSheets [p.424] , CSS [p.425] , Events [p.440] , Traversal [p.443] , and Range [p.444] .

E.1: Document Object Model Core

Object **DOMString**

Object **DOMTimeStamp**

Object **DOMImplementation**

The **DOMImplementation** object has the following methods:

hasFeature(feature, version)

This method returns a **boolean**. The **feature** parameter is of type **DOMString**. The **version** parameter is of type **DOMString**.

createDocumentType(qualifiedName, publicId, systemId)

This method returns a **DocumentType**. The **qualifiedName** parameter is of type **DOMString**. The **publicId** parameter is of type **DOMString**. The **systemId** parameter is of type **DOMString**.

createDocument(namespaceURI, qualifiedName, doctype)

This method returns a **Document**. The **namespaceURI** parameter is of type **DOMString**. The **qualifiedName** parameter is of type **DOMString**. The **doctype** parameter is of type **DocumentType**.

Object **DocumentFragment**

DocumentFragment has all the properties and methods of **Node** as well as the properties and methods defined below.

Object **Document**

Document has all the properties and methods of **Node** as well as the properties and methods defined below.

The **Document** object has the following properties:

doctype

This property is of type **DocumentType**.

implementation

This property is of type **DOMImplementation**.

documentElement

This property is of type **Element**.

The **Document** object has the following methods:

createElement(tagName)

This method returns a **Element**. The **tagName** parameter is of type **DOMString**.

createDocumentFragment()

This method returns a **DocumentFragment**.

createTextNode(data)

This method returns a **Text**. The **data** parameter is of type **DOMString**.

createComment(data)

This method returns a **Comment**. The **data** parameter is of type **DOMString**.

createCDATASection(data)

This method returns a **CDATASection**. The **data** parameter is of type **DOMString**.

createProcessingInstruction(target, data)

This method returns a **ProcessingInstruction**. The **target** parameter is of type **DOMString**. The **data** parameter is of type **DOMString**.

createAttribute(name)

This method returns a **Attr**. The **name** parameter is of type **DOMString**.

createEntityReference(name)

This method returns a **EntityReference**. The **name** parameter is of type **DOMString**.

getElementsByTagName(tagname)

This method returns a **NodeList**. The **tagname** parameter is of type **DOMString**.

importNode(importedNode, deep)

This method returns a **Node**. The **importedNode** parameter is of type **Node**. The **deep** parameter is of type **boolean**.

createElementNS(namespaceURI, qualifiedName)

This method returns a **Element**. The **namespaceURI** parameter is of type **DOMString**. The **qualifiedName** parameter is of type **DOMString**.

createAttributeNS(namespaceURI, qualifiedName)

This method returns a **Attr**. The **namespaceURI** parameter is of type **DOMString**. The **qualifiedName** parameter is of type **DOMString**.

getElementsByTagNameNS(namespaceURI, localName)

This method returns a **NodeList**. The **namespaceURI** parameter is of type **DOMString**. The **localName** parameter is of type **DOMString**.

getElementById(elementId)

This method returns a **Element**. The **elementId** parameter is of type **DOMString**.

Class Node

The **Node** class has the following constants:

Node.ELEMENT_NODE

This constant is of type **short** and its value is **1**.

Node.ATTRIBUTE_NODE

This constant is of type **short** and its value is **2**.

Node.TEXT_NODE

This constant is of type **short** and its value is **3**.

Node.CDATA_SECTION_NODE

This constant is of type **short** and its value is **4**.

Node.ENTITY_REFERENCE_NODE

This constant is of type **short** and its value is **5**.

Node.ENTITY_NODE

This constant is of type **short** and its value is **6**.

Node.PROCESSING_INSTRUCTION_NODE

This constant is of type **short** and its value is **7**.

Node.COMMENT_NODE

This constant is of type **short** and its value is **8**.

Node.DOCUMENT_NODE

This constant is of type **short** and its value is **9**.

Node.DOCUMENT_TYPE_NODE

This constant is of type **short** and its value is **10**.

Node.DOCUMENT_FRAGMENT_NODE

This constant is of type **short** and its value is **11**.

Node.NOTATION_NODE

This constant is of type **short** and its value is **12**.

Object Node

The **Node** object has the following properties:

nodeName

This property is of type **String**.

nodeValue

This property is of type **String**.

nodeType

This property is of type **short**.

parentNode

This property is of type **Node**.

childNodes

This property is of type **NodeList**.

firstChild

This property is of type **Node**.

lastChild

This property is of type **Node**.

previousSibling

This property is of type **Node**.

nextSibling

This property is of type **Node**.

attributes

This property is of type **NamedNodeMap**.

ownerDocument

This property is of type **Document**.

namespaceURI

This property is of type **String**.

prefix

This property is of type **String**.

localName

This property is of type **String**.

The **Node** object has the following methods:

insertBefore(newChild, refChild)

This method returns a **Node**. The **newChild** parameter is of type **Node**. The **refChild** parameter is of type **Node**.

replaceChild(newChild, oldChild)

This method returns a **Node**. The **newChild** parameter is of type **Node**. The **oldChild** parameter is of type **Node**.

removeChild(oldChild)

This method returns a **Node**. The **oldChild** parameter is of type **Node**.

appendChild(newChild)

This method returns a **Node**. The **newChild** parameter is of type **Node**.

hasChildNodes()

This method returns a **boolean**.

cloneNode(deep)

This method returns a **Node**. The **deep** parameter is of type **boolean**.

normalize()

This method returns a **void**.

supports(feature, version)

This method returns a **boolean**. The **feature** parameter is of type **DOMString**. The **version** parameter is of type **DOMString**.

Object **NodeList**

The **NodeList** object has the following properties:

length

This property is of type **int**.

The **NodeList** object has the following methods:

item(index)

This method returns a **Node**. The **index** parameter is of type **unsigned long**. This object can also be dereferenced using square bracket notation (e.g. obj[1]). Dereferencing with an integer **index** is equivalent to invoking the **item** method with that index.

Object **NamedNodeMap**

The **NamedNodeMap** object has the following properties:

length

This property is of type **int**.

The **NamedNodeMap** object has the following methods:

getNamedItem(name)

This method returns a **Node**. The **name** parameter is of type **DOMString**.

setNamedItem(arg)

This method returns a **Node**. The **arg** parameter is of type **Node**.

removeNamedItem(name)

This method returns a **Node**. The **name** parameter is of type **DOMString**.

item(index)

This method returns a **Node**. The **index** parameter is of type **unsigned long**. This object can also be dereferenced using square bracket notation (e.g. obj[1]). Dereferencing with an integer **index** is equivalent to invoking the **item** method with that index.

getNamedItemNS(namespaceURI, localName)

This method returns a **Node**. The **namespaceURI** parameter is of type **DOMString**. The **localName** parameter is of type **DOMString**.

setNamedItemNS(arg)

This method returns a **Node**. The **arg** parameter is of type **Node**.

removeNamedItemNS(namespaceURI, localName)

This method returns a **Node**. The **namespaceURI** parameter is of type **DOMString**. The **localName** parameter is of type **DOMString**.

Object **CharacterData**

CharacterData has all the properties and methods of **Node** as well as the properties and methods defined below.

The **CharacterData** object has the following properties:

data

This property is of type **String**.

length

This property is of type **int**.

The **CharacterData** object has the following methods:

substringData(offset, count)

This method returns a **DOMString**. The **offset** parameter is of type **unsigned long**. The **count** parameter is of type **unsigned long**.

appendData(arg)

This method returns a **void**. The **arg** parameter is of type **DOMString**.

insertData(offset, arg)

This method returns a **void**. The **offset** parameter is of type **unsigned long**. The **arg** parameter is of type **DOMString**.

deleteData(offset, count)

This method returns a **void**. The **offset** parameter is of type **unsigned long**. The **count** parameter is of type **unsigned long**.

replaceData(offset, count, arg)

This method returns a **void**. The **offset** parameter is of type **unsigned long**. The **count** parameter is of type **unsigned long**. The **arg** parameter is of type **DOMString**.

Object **Attr**

Attr has the all the properties and methods of **Node** as well as the properties and methods defined below.

The **Attr** object has the following properties:

name

This property is of type **String**.

specified

This property is of type **boolean**.

value

This property is of type **String**.

ownerElement

This property is of type **Element**.

Object **Element**

Element has the all the properties and methods of **Node** as well as the properties and methods defined below.

The **Element** object has the following properties:

tagName

This property is of type **String**.

The **Element** object has the following methods:

getAttribute(name)

This method returns a **DOMString**. The **name** parameter is of type **DOMString**.

setAttribute(name, value)

This method returns a **void**. The **name** parameter is of type **DOMString**. The **value** parameter is of type **DOMString**.

removeAttribute(name)

This method returns a **void**. The **name** parameter is of type **DOMString**.

getAttributeNode(name)

This method returns a **Attr**. The **name** parameter is of type **DOMString**.

setAttributeNode(newAttr)

This method returns a **Attr**. The **newAttr** parameter is of type **Attr**.

removeAttributeNode(oldAttr)

This method returns a **Attr**. The **oldAttr** parameter is of type **Attr**.

getElementsByTagName(name)

This method returns a **NodeList**. The **name** parameter is of type **DOMString**.

getAttributeNS(namespaceURI, localName)

This method returns a **DOMString**. The **namespaceURI** parameter is of type **DOMString**. The **localName** parameter is of type **DOMString**.

setAttributeNS(namespaceURI, qualifiedName, value)

This method returns a **void**. The **namespaceURI** parameter is of type **DOMString**. The **qualifiedName** parameter is of type **DOMString**. The **value** parameter is of type **DOMString**.

removeAttributeNS(namespaceURI, localName)

This method returns a **void**. The **namespaceURI** parameter is of type **DOMString**. The **localName** parameter is of type **DOMString**.

getAttributeNodeNS(namespaceURI, localName)

This method returns a **Attr**. The **namespaceURI** parameter is of type **DOMString**. The **localName** parameter is of type **DOMString**.

setAttributeNodeNS(newAttr)

This method returns a **Attr**. The **newAttr** parameter is of type **Attr**.

getElementsByTagNameNS(namespaceURI, localName)

This method returns a **NodeList**. The **namespaceURI** parameter is of type **DOMString**. The **localName** parameter is of type **DOMString**.

hasAttribute(name)

This method returns a **boolean**. The **name** parameter is of type **DOMString**.

hasAttributeNS(namespaceURI, localName)

This method returns a **boolean**. The **namespaceURI** parameter is of type **DOMString**. The **localName** parameter is of type **DOMString**.

Object Text

Text has the all the properties and methods of **CharacterData** as well as the properties and methods defined below.

The **Text** object has the following methods:

splitText(offset)

This method returns a **Text**. The **offset** parameter is of type **unsigned long**.

Object Comment

Comment has the all the properties and methods of **CharacterData** as well as the properties and methods defined below.

Object CDATASection

CDATASection has the all the properties and methods of **Text** as well as the properties and methods defined below.

Object DocumentType

DocumentType has the all the properties and methods of **Node** as well as the properties and methods defined below.

The **DocumentType** object has the following properties:

name

This property is of type **String**.

entities

This property is of type **NamedNodeMap**.

notations

This property is of type **NamedNodeMap**.

publicId

This property is of type **String**.

systemId

This property is of type **String**.

internalSubset

This property is of type **String**.

Object **Notation**

Notation has the all the properties and methods of **Node** as well as the properties and methods defined below.

The **Notation** object has the following properties:

publicId

This property is of type **String**.

systemId

This property is of type **String**.

Object **Entity**

Entity has the all the properties and methods of **Node** as well as the properties and methods defined below.

The **Entity** object has the following properties:

publicId

This property is of type **String**.

systemId

This property is of type **String**.

notationName

This property is of type **String**.

Object **EntityReference**

EntityReference has the all the properties and methods of **Node** as well as the properties and methods defined below.

Object **ProcessingInstruction**

ProcessingInstruction has the all the properties and methods of **Node** as well as the properties and methods defined below.

The **ProcessingInstruction** object has the following properties:

target

This property is of type **String**.

data

This property is of type **String**.

E.2: Document Object Model HTML

Object **HTMLDOMImplementation**

HTMLDOMImplementation has all the properties and methods of **DOMImplementation** as well as the properties and methods defined below.

The **HTMLDOMImplementation** object has the following methods:

createHTMLDocument(title)

This method returns a **HTMLDocument**. The **title** parameter is of type **DOMString**.

Object **HTMLCollection**

The **HTMLCollection** object has the following properties:

length

This property is of type **int**.

The **HTMLCollection** object has the following methods:

item(index)

This method returns a **Node**. The **index** parameter is of type **unsigned long**. This object can also be dereferenced using square bracket notation (e.g. obj[1]). Dereferencing with an integer **index** is equivalent to invoking the **item** method with that index.

namedItem(name)

This method returns a **Node**. The **name** parameter is of type **DOMString**. This object can also be dereferenced using square bracket notation (e.g. obj["foo"]). Dereferencing using a string index is equivalent to invoking the **namedItem** method with that index.

Object **HTMLDocument**

HTMLDocument has all the properties and methods of **Document** as well as the properties and methods defined below.

The **HTMLDocument** object has the following properties:

title

This property is of type **String**.

referrer

This property is of type **String**.

domain

This property is of type **String**.

URL

This property is of type **String**.

body

This property is of type **HTMLElement**.

images

This property is of type **HTMLCollection**.

applets

This property is of type **HTMLCollection**.

links

This property is of type **HTMLCollection**.

forms

This property is of type **HTMLCollection**.

anchors

This property is of type **HTMLCollection**.

cookie

This property is of type **String**.

The **HTMLDocument** object has the following methods:

open()

This method returns a **void**.

close()

This method returns a **void**.

write(text)

This method returns a **void**. The **text** parameter is of type **DOMString**.

writeln(text)

This method returns a **void**. The **text** parameter is of type **DOMString**.

getElementsByName(elementName)

This method returns a **NodeList**. The **elementName** parameter is of type **DOMString**.

Object **HTMLElement**

HTMLElement has the all the properties and methods of **Element** as well as the properties and methods defined below.

The **HTMLElement** object has the following properties:

id

This property is of type **String**.

title

This property is of type **String**.

lang

This property is of type **String**.

dir

This property is of type **String**.

className

This property is of type **String**.

Object **HTMLHtmlElement**

HTMLHtmlElement has the all the properties and methods of **HTMLElement** as well as the properties and methods defined below.

The **HTMLHtmlElement** object has the following properties:

version

This property is of type **String**.

Object **HTMLHeadElement**

HTMLHeadElement has the all the properties and methods of **HTMLElement** as well as the properties and methods defined below.

The **HTMLHeadElement** object has the following properties:

profile

This property is of type **String**.

Object **HTMLLinkElement**

HTMLLinkElement has the all the properties and methods of **HTMLElement** as well as the properties and methods defined below.

The **HTMLLinkElement** object has the following properties:

disabled

This property is of type **boolean**.

charset

This property is of type **String**.

href

This property is of type **String**.

hreflang

This property is of type **String**.

media

This property is of type **String**.

rel

This property is of type **String**.

rev

This property is of type **String**.

target

This property is of type **String**.

type

This property is of type **String**.

Object **HTMLTitleElement**

HTMLTitleElement has the all the properties and methods of **HTMLElement** as well as the properties and methods defined below.

The **HTMLTitleElement** object has the following properties:

text

This property is of type **String**.

Object **HTMLMetaElement**

HTMLMetaElement has the all the properties and methods of **HTMLElement** as well as the properties and methods defined below.

The **HTMLMetaElement** object has the following properties:

content

This property is of type **String**.

httpEquiv

This property is of type **String**.

name

This property is of type **String**.

scheme

This property is of type **String**.

Object **HTMLBaseElement**

HTMLBaseElement has the all the properties and methods of **HTMLElement** as well as the properties and methods defined below.

The **HTMLBaseElement** object has the following properties:

href

This property is of type **String**.

target

This property is of type **String**.

Object **HTMLIsIndexElement**

HTMLIsIndexElement has the all the properties and methods of **HTMLElement** as well as the properties and methods defined below.

The **HTMLIsIndexElement** object has the following properties:

form

This property is of type **HTMLFormElement**.

prompt

This property is of type **String**.

Object **HTMLStyleElement**

HTMLStyleElement has the all the properties and methods of **HTMLElement** as well as the properties and methods defined below.

The **HTMLStyleElement** object has the following properties:

disabled

This property is of type **boolean**.

media

This property is of type **String**.

type

This property is of type **String**.

Object **HTMLBodyElement**

HTMLBodyElement has the all the properties and methods of **HTMLElement** as well as the properties and methods defined below.

The **HTMLBodyElement** object has the following properties:

aLink

This property is of type **String**.

background

This property is of type **String**.

bgColor

This property is of type **String**.

link

This property is of type **String**.

text

This property is of type **String**.

vLink

This property is of type **String**.

Object **HTMLFormElement**

HTMLFormElement has the all the properties and methods of **HTMLElement** as well as the properties and methods defined below.

The **HTMLFormElement** object has the following properties:

elements

This property is of type **HTMLCollection**.

length

This property is of type **long**.

name

This property is of type **String**.

acceptCharset

This property is of type **String**.

action

This property is of type **String**.

enctype

This property is of type **String**.

method

This property is of type **String**.

target

This property is of type **String**.

The **HTMLFormElement** object has the following methods:

submit()

This method returns a **void**.

reset()

This method returns a **void**.

Object **HTMLSelectElement**

HTMLSelectElement has all the properties and methods of **HTMLElement** as well as the properties and methods defined below.

The **HTMLSelectElement** object has the following properties:

type

This property is of type **String**.

selectedIndex

This property is of type **long**.

value

This property is of type **String**.

length

This property is of type **long**.

form

This property is of type **HTMLFormElement**.

options

This property is of type **HTMLCollection**.

disabled

This property is of type **boolean**.

multiple

This property is of type **boolean**.

name

This property is of type **String**.

size

This property is of type **long**.

tabIndex

This property is of type **long**.

The **HTMLSelectElement** object has the following methods:

add(element, before)

This method returns a **void**. The **element** parameter is of type **HTMLElement**. The **before** parameter is of type **HTMLElement**.

remove(index)

This method returns a **void**. The **index** parameter is of type **long**.

blur()

This method returns a **void**.

focus()

This method returns a **void**.

Object **HTMLOptGroupElement**

HTMLOptGroupElement has the all the properties and methods of **HTMLElement** as well as the properties and methods defined below.

The **HTMLOptGroupElement** object has the following properties:

disabled

This property is of type **boolean**.

label

This property is of type **String**.

Object **HTMLOptionElement**

HTMLOptionElement has the all the properties and methods of **HTMLElement** as well as the properties and methods defined below.

The **HTMLOptionElement** object has the following properties:

form

This property is of type **HTMLFormElement**.

defaultSelected

This property is of type **boolean**.

text

This property is of type **String**.

index

This property is of type **long**.

disabled

This property is of type **boolean**.

label

This property is of type **String**.

selected

This property is of type **boolean**.

value

This property is of type **String**.

Object **HTMLInputElement**

HTMLInputElement has the all the properties and methods of **HTMLElement** as well as the properties and methods defined below.

The **HTMLInputElement** object has the following properties:

defaultValue

This property is of type **String**.

defaultChecked

This property is of type **boolean**.

form

This property is of type **HTMLFormElement**.

accept

This property is of type **String**.

accessKey

This property is of type **String**.

align

This property is of type **String**.

alt
This property is of type **String**.

checked
This property is of type **boolean**.

disabled
This property is of type **boolean**.

maxLength
This property is of type **long**.

name
This property is of type **String**.

readOnly
This property is of type **boolean**.

size
This property is of type **String**.

src
This property is of type **String**.

tabIndex
This property is of type **long**.

type
This property is of type **String**.

useMap
This property is of type **String**.

value
This property is of type **String**.

The **HTMLInputElement** object has the following methods:

blur()
This method returns a **void**.

focus()
This method returns a **void**.

select()
This method returns a **void**.

click()
This method returns a **void**.

Object **HTMLTextAreaElement**

HTMLTextAreaElement has the all the properties and methods of **HTMLFormElement** as well as the properties and methods defined below.

The **HTMLTextAreaElement** object has the following properties:

defaultValue
This property is of type **String**.

form
This property is of type **HTMLFormElement**.

accessKey
This property is of type **String**.

cols
This property is of type **long**.

disabled

This property is of type **boolean**.

name

This property is of type **String**.

readOnly

This property is of type **boolean**.

rows

This property is of type **long**.

tabIndex

This property is of type **long**.

type

This property is of type **String**.

value

This property is of type **String**.

The **HTMLTextAreaElement** object has the following methods:

blur()

This method returns a **void**.

focus()

This method returns a **void**.

select()

This method returns a **void**.

Object **HTMLButtonElement**

HTMLButtonElement has the all the properties and methods of **HTMLElement** as well as the properties and methods defined below.

The **HTMLButtonElement** object has the following properties:

form

This property is of type **HTMLFormElement**.

accessKey

This property is of type **String**.

disabled

This property is of type **boolean**.

name

This property is of type **String**.

tabIndex

This property is of type **long**.

type

This property is of type **String**.

value

This property is of type **String**.

Object **HTMLLabelElement**

HTMLLabelElement has the all the properties and methods of **HTMLElement** as well as the properties and methods defined below.

The **HTMLLabelElement** object has the following properties:

form

This property is of type **HTMLFormElement**.

accessKey

This property is of type **String**.

htmlFor

This property is of type **String**.

Object **HTMLFieldSetElement**

HTMLFieldSetElement has the all the properties and methods of **HTMLInputElement** as well as the properties and methods defined below.

The **HTMLFieldSetElement** object has the following properties:

form

This property is of type **HTMLFormElement**.

Object **HTMLLegendElement**

HTMLLegendElement has the all the properties and methods of **HTMLInputElement** as well as the properties and methods defined below.

The **HTMLLegendElement** object has the following properties:

form

This property is of type **HTMLFormElement**.

accessKey

This property is of type **String**.

align

This property is of type **String**.

Object **HTMLUListElement**

HTMLUListElement has the all the properties and methods of **HTMLListElement** as well as the properties and methods defined below.

The **HTMLUListElement** object has the following properties:

compact

This property is of type **boolean**.

type

This property is of type **String**.

Object **HTMLOLListElement**

HTMLOLListElement has the all the properties and methods of **HTMLListElement** as well as the properties and methods defined below.

The **HTMLOLListElement** object has the following properties:

compact

This property is of type **boolean**.

start

This property is of type **long**.

type

This property is of type **String**.

Object **HTMLDListElement**

HTMLDListElement has the all the properties and methods of **HTMLListElement** as well as the properties and methods defined below.

The **HTMLDListElement** object has the following properties:

compact

This property is of type **boolean**.

Object **HTMLDirectoryElement**

HTMLDirectoryElement has the all the properties and methods of **HTMLElement** as well as the properties and methods defined below.

The **HTMLDirectoryElement** object has the following properties:

compact

This property is of type **boolean**.

Object **HTMLMenuElement**

HTMLMenuElement has the all the properties and methods of **HTMLElement** as well as the properties and methods defined below.

The **HTMLMenuElement** object has the following properties:

compact

This property is of type **boolean**.

Object **HTMLLIElement**

HTMLLIElement has the all the properties and methods of **HTMLElement** as well as the properties and methods defined below.

The **HTMLLIElement** object has the following properties:

type

This property is of type **String**.

value

This property is of type **long**.

Object **HTMLDivElement**

HTMLDivElement has the all the properties and methods of **HTMLElement** as well as the properties and methods defined below.

The **HTMLDivElement** object has the following properties:

align

This property is of type **String**.

Object **HTMLParagraphElement**

HTMLParagraphElement has the all the properties and methods of **HTMLElement** as well as the properties and methods defined below.

The **HTMLParagraphElement** object has the following properties:

align

This property is of type **String**.

Object **HTMLHeadingElement**

HTMLHeadingElement has the all the properties and methods of **HTMLElement** as well as the properties and methods defined below.

The **HTMLHeadingElement** object has the following properties:

align

This property is of type **String**.

Object **HTMLQuoteElement**

HTMLQuoteElement has the all the properties and methods of **HTMLElement** as well as the properties and methods defined below.

The **HTMLQuoteElement** object has the following properties:

cite

This property is of type **String**.

Object **HTMLPreElement**

HTMLPreElement has the all the properties and methods of **HTMLElement** as well as the properties and methods defined below.

The **HTMLPreElement** object has the following properties:

width

This property is of type **long**.

Object **HTMLBRElement**

HTMLBRElement has the all the properties and methods of **HTMLElement** as well as the properties and methods defined below.

The **HTMLBRElement** object has the following properties:

clear

This property is of type **String**.

Object **HTMLBaseFontElement**

HTMLBaseFontElement has the all the properties and methods of **HTMLElement** as well as the properties and methods defined below.

The **HTMLBaseFontElement** object has the following properties:

color

This property is of type **String**.

face

This property is of type **String**.

size

This property is of type **String**.

Object **HTMLFontElement**

HTMLFontElement has the all the properties and methods of **HTMLElement** as well as the properties and methods defined below.

The **HTMLFontElement** object has the following properties:

color

This property is of type **String**.

face

This property is of type **String**.

size

This property is of type **String**.

Object **HTMLHRElement**

HTMLHRElement has the all the properties and methods of **HTMLElement** as well as the properties and methods defined below.

The **HTMLHRElement** object has the following properties:

align

This property is of type **String**.

noShade

This property is of type **boolean**.

size

This property is of type **String**.

width

This property is of type **String**.

Object **HTMLModElement**

HTMLModElement has the all the properties and methods of **HTMLElement** as well as the properties and methods defined below.

The **HTMLModElement** object has the following properties:

cite

This property is of type **String**.

dateTime

This property is of type **String**.

Object **HTMLAnchorElement**

HTMLAnchorElement has the all the properties and methods of **HTMLElement** as well as the properties and methods defined below.

The **HTMLAnchorElement** object has the following properties:

accessKey

This property is of type **String**.

charset

This property is of type **String**.

coords

This property is of type **String**.

href

This property is of type **String**.

hreflang

This property is of type **String**.

name

This property is of type **String**.

rel

This property is of type **String**.

rev

This property is of type **String**.

shape

This property is of type **String**.

tabIndex

This property is of type **long**.

target

This property is of type **String**.

type

This property is of type **String**.

The **HTMLAnchorElement** object has the following methods:

blur()

This method returns a **void**.

focus()

This method returns a **void**.

Object **HTMLImageElement**

HTMLImageElement has the all the properties and methods of **HTMLElement** as well as the properties and methods defined below.

The **HTMLImageElement** object has the following properties:

lowSrc

This property is of type **String**.

name

This property is of type **String**.

- align**
This property is of type **String**.
- alt**
This property is of type **String**.
- border**
This property is of type **String**.
- height**
This property is of type **String**.
- hspace**
This property is of type **String**.
- isMap**
This property is of type **boolean**.
- longDesc**
This property is of type **String**.
- src**
This property is of type **String**.
- useMap**
This property is of type **String**.
- vspace**
This property is of type **String**.
- width**
This property is of type **String**.

Object **HTMLObjectElement**

HTMLObjectElement has all the properties and methods of **HTMLElement** as well as the properties and methods defined below.

The **HTMLObjectElement** object has the following properties:

- form**
This property is of type **HTMLFormElement**.
- code**
This property is of type **String**.
- align**
This property is of type **String**.
- archive**
This property is of type **String**.
- border**
This property is of type **String**.
- codeBase**
This property is of type **String**.
- codeType**
This property is of type **String**.
- data**
This property is of type **String**.
- declare**
This property is of type **boolean**.
- height**
This property is of type **String**.

hspace

This property is of type **String**.

name

This property is of type **String**.

standby

This property is of type **String**.

tabIndex

This property is of type **long**.

type

This property is of type **String**.

useMap

This property is of type **String**.

vspace

This property is of type **String**.

width

This property is of type **String**.

contentDocument

This property is of type **Document**.

Object **HTMLParamElement**

HTMLParamElement has the all the properties and methods of **HTMLElement** as well as the properties and methods defined below.

The **HTMLParamElement** object has the following properties:

name

This property is of type **String**.

type

This property is of type **String**.

value

This property is of type **String**.

valueType

This property is of type **String**.

Object **HTMLAppletElement**

HTMLAppletElement has the all the properties and methods of **HTMLElement** as well as the properties and methods defined below.

The **HTMLAppletElement** object has the following properties:

align

This property is of type **String**.

alt

This property is of type **String**.

archive

This property is of type **String**.

code

This property is of type **String**.

codeBase

This property is of type **String**.

height

This property is of type **String**.

hspace

This property is of type **String**.

name

This property is of type **String**.

object

This property is of type **String**.

vspace

This property is of type **String**.

width

This property is of type **String**.

Object **HTMLMapElement**

HTMLMapElement has the all the properties and methods of **HTMLInputElement** as well as the properties and methods defined below.

The **HTMLMapElement** object has the following properties:

areas

This property is of type **HTMLCollection**.

name

This property is of type **String**.

Object **HTMLAreaElement**

HTMLAreaElement has the all the properties and methods of **HTMLInputElement** as well as the properties and methods defined below.

The **HTMLAreaElement** object has the following properties:

accessKey

This property is of type **String**.

alt

This property is of type **String**.

coords

This property is of type **String**.

href

This property is of type **String**.

noHref

This property is of type **boolean**.

shape

This property is of type **String**.

tabIndex

This property is of type **long**.

target

This property is of type **String**.

Object **HTMLScriptElement**

HTMLScriptElement has the all the properties and methods of **HTMLInputElement** as well as the properties and methods defined below.

The **HTMLScriptElement** object has the following properties:

text

This property is of type **String**.

htmlFor

This property is of type **String**.

- event**
This property is of type **String**.
- charset**
This property is of type **String**.
- defer**
This property is of type **boolean**.
- src**
This property is of type **String**.
- type**
This property is of type **String**.

Object **HTMLTableElement**

HTMLTableElement has all the properties and methods of **HTMLElement** as well as the properties and methods defined below.

The **HTMLTableElement** object has the following properties:

- caption**
This property is of type **HTMLTableCaptionElement**.
- tHead**
This property is of type **HTMLTableSectionElement**.
- tFoot**
This property is of type **HTMLTableSectionElement**.
- rows**
This property is of type **HTMLCollection**.
- tBodies**
This property is of type **HTMLCollection**.
- align**
This property is of type **String**.
- bgColor**
This property is of type **String**.
- border**
This property is of type **String**.
- cellPadding**
This property is of type **String**.
- cellSpacing**
This property is of type **String**.
- frame**
This property is of type **String**.
- rules**
This property is of type **String**.
- summary**
This property is of type **String**.
- width**
This property is of type **String**.

The **HTMLTableElement** object has the following methods:

- createTHead()**
This method returns a **HTMLElement**.

deleteTHead()

This method returns a **void**.

createTFoot()

This method returns a **HTMLInputElement**.

deleteTFoot()

This method returns a **void**.

createCaption()

This method returns a **HTMLInputElement**.

deleteCaption()

This method returns a **void**.

insertRow(index)

This method returns a **HTMLInputElement**. The **index** parameter is of type **long**.

deleteRow(index)

This method returns a **void**. The **index** parameter is of type **long**.

Object **HTMLTableCaptionElement**

HTMLTableCaptionElement has the all the properties and methods of **HTMLInputElement** as well as the properties and methods defined below.

The **HTMLTableCaptionElement** object has the following properties:

align

This property is of type **String**.

Object **HTMLTableColElement**

HTMLTableColElement has the all the properties and methods of **HTMLInputElement** as well as the properties and methods defined below.

The **HTMLTableColElement** object has the following properties:

align

This property is of type **String**.

ch

This property is of type **String**.

chOff

This property is of type **String**.

span

This property is of type **long**.

vAlign

This property is of type **String**.

width

This property is of type **String**.

Object **HTMLTableSectionElement**

HTMLTableSectionElement has the all the properties and methods of **HTMLInputElement** as well as the properties and methods defined below.

The **HTMLTableSectionElement** object has the following properties:

align

This property is of type **String**.

ch

This property is of type **String**.

chOff

This property is of type **String**.

vAlign

This property is of type **String**.

rows

This property is of type **HTMLCollection**.

The **HTMLTableSectionElement** object has the following methods:

insertRow(index)

This method returns a **HTMLTableSectionElement**. The **index** parameter is of type **long**.

deleteRow(index)

This method returns a **void**. The **index** parameter is of type **long**.

Object **HTMLTableRowElement**

HTMLTableRowElement has all the properties and methods of **HTMLTableSectionElement** as well as the properties and methods defined below.

The **HTMLTableRowElement** object has the following properties:

rowIndex

This property is of type **long**.

sectionRowIndex

This property is of type **long**.

cells

This property is of type **HTMLCollection**.

align

This property is of type **String**.

bgColor

This property is of type **String**.

ch

This property is of type **String**.

chOff

This property is of type **String**.

vAlign

This property is of type **String**.

The **HTMLTableRowElement** object has the following methods:

insertCell(index)

This method returns a **HTMLTableSectionElement**. The **index** parameter is of type **long**.

deleteCell(index)

This method returns a **void**. The **index** parameter is of type **long**.

Object **HTMLTableCellElement**

HTMLTableCellElement has all the properties and methods of **HTMLTableSectionElement** as well as the properties and methods defined below.

The **HTMLTableCellElement** object has the following properties:

cellIndex

This property is of type **long**.

abbr

This property is of type **String**.

align

This property is of type **String**.

axis

This property is of type **String**.

bgColor

This property is of type **String**.

ch

This property is of type **String**.

chOff

This property is of type **String**.

colSpan

This property is of type **long**.

headers

This property is of type **String**.

height

This property is of type **String**.

noWrap

This property is of type **boolean**.

rowSpan

This property is of type **long**.

scope

This property is of type **String**.

vAlign

This property is of type **String**.

width

This property is of type **String**.

Object **HTMLFrameSetElement**

HTMLFrameSetElement has the all the properties and methods of **HTMLElement** as well as the properties and methods defined below.

The **HTMLFrameSetElement** object has the following properties:

cols

This property is of type **String**.

rows

This property is of type **String**.

Object **HTMLFrameElement**

HTMLFrameElement has the all the properties and methods of **HTMLElement** as well as the properties and methods defined below.

The **HTMLFrameElement** object has the following properties:

frameBorder

This property is of type **String**.

longDesc

This property is of type **String**.

marginHeight

This property is of type **String**.

marginWidth

This property is of type **String**.

name

This property is of type **String**.

noResize

This property is of type **boolean**.

scrolling

This property is of type **String**.

src

This property is of type **String**.

contentDocument

This property is of type **Document**.

Object **HTMLIFrameElement**

HTMLIFrameElement has all the properties and methods of **HTMLElement** as well as the properties and methods defined below.

The **HTMLIFrameElement** object has the following properties:

align

This property is of type **String**.

frameBorder

This property is of type **String**.

height

This property is of type **String**.

longDesc

This property is of type **String**.

marginHeight

This property is of type **String**.

marginWidth

This property is of type **String**.

name

This property is of type **String**.

scrolling

This property is of type **String**.

src

This property is of type **String**.

width

This property is of type **String**.

contentDocument

This property is of type **Document**.

E.3: Document Object Model Views

Object **AbstractView**

The **AbstractView** object has the following properties:

document

This property is of type **DocumentView**.

Object **DocumentView**

The **DocumentView** object has the following properties:

defaultView

This property is of type **AbstractView**.

E.4: Document Object Model StyleSheets

Object **StyleSheet**

The **StyleSheet** object has the following properties:

type

This property is of type **String**.

disabled

This property is of type **boolean**.

ownerNode

This property is of type **Node**.

parentStyleSheet

This property is of type **StyleSheet**.

href

This property is of type **String**.

title

This property is of type **String**.

media

This property is of type **MediaList**.

Object **StyleSheetList**

The **StyleSheetList** object has the following properties:

length

This property is of type **int**.

The **StyleSheetList** object has the following methods:

item(index)

This method returns a **StyleSheet**. The **index** parameter is of type **unsigned long**. This object can also be dereferenced using square bracket notation (e.g. obj[1]). Dereferencing with an integer **index** is equivalent to invoking the **item** method with that index.

Object **MediaList**

The **MediaList** object has the following properties:

mediaText

This property is of type **String**.

length

This property is of type **int**.

The **MediaList** object has the following methods:

item(index)

This method returns a **DOMString**. The **index** parameter is of type **unsigned long**. This object can also be dereferenced using square bracket notation (e.g. obj[1]). Dereferencing with an integer **index** is equivalent to invoking the **item** method with that index.

delete(oldMedium)

This method returns a **void**. The **oldMedium** parameter is of type **DOMString**.

append(newMedium)

This method returns a **void**. The **newMedium** parameter is of type **DOMString**.

Object **LinkStyle**

The **LinkStyle** object has the following properties:

sheet

This property is of type **StyleSheet**.

Object **DocumentStyle**

The **DocumentStyle** object has the following properties:

styleSheets

This property is of type **StyleSheetList**.

E.5: Document Object Model CSS

Object **CSSStyleSheet**

CSSStyleSheet has all the properties and methods of **StyleSheet** as well as the properties and methods defined below.

The **CSSStyleSheet** object has the following properties:

ownerRule

This property is of type **CSSRule**.

cssRules

This property is of type **CSSRuleList**.

The **CSSStyleSheet** object has the following methods:

insertRule(rule, index)

This method returns a **unsigned long**. The **rule** parameter is of type **DOMString**. The **index** parameter is of type **unsigned long**.

deleteRule(index)

This method returns a **void**. The **index** parameter is of type **unsigned long**.

Object **CSSRuleList**

The **CSSRuleList** object has the following properties:

length

This property is of type **int**.

The **CSSRuleList** object has the following methods:

item(index)

This method returns a **CSSRule**. The **index** parameter is of type **unsigned long**. This object can also be dereferenced using square bracket notation (e.g. `obj[1]`). Dereferencing with an integer `index` is equivalent to invoking the **item** method with that index.

Class **CSSRule**

The **CSSRule** class has the following constants:

CSSRule.UNKNOWN_RULE

This constant is of type **short** and its value is **0**.

CSSRule.STYLE_RULE

This constant is of type **short** and its value is **1**.

CSSRule.CHARSET_RULE

This constant is of type **short** and its value is **2**.

CSSRule.IMPORT_RULE

This constant is of type **short** and its value is **3**.

CSSRule.MEDIA_RULE

This constant is of type **short** and its value is **4**.

CSSRule.FONT_FACE_RULE

This constant is of type **short** and its value is **5**.

CSSRule.PAGE_RULE

This constant is of type **short** and its value is **6**.

Object **CSSRule**

The **CSSRule** object has the following properties:

type

This property is of type **short**.

cssText

This property is of type **String**.

parentStyleSheet

This property is of type **CSSStyleSheet**.

parentRule

This property is of type **CSSRule**.

Object **CSSStyleRule**

CSSStyleRule has the all the properties and methods of **CSSRule** as well as the properties and methods defined below.

The **CSSStyleRule** object has the following properties:

selectorText

This property is of type **String**.

style

This property is of type **CSSStyleDeclaration**.

Object **CSSMediaRule**

CSSMediaRule has the all the properties and methods of **CSSRule** as well as the properties and methods defined below.

The **CSSMediaRule** object has the following properties:

media

This property is of type **MediaList**.

cssRules

This property is of type **CSSRuleList**.

The **CSSMediaRule** object has the following methods:

insertRule(rule, index)

This method returns a **unsigned long**. The **rule** parameter is of type **DOMString**. The **index** parameter is of type **unsigned long**.

deleteRule(index)

This method returns a **void**. The **index** parameter is of type **unsigned long**.

Object **CSSFontFaceRule**

CSSFontFaceRule has the all the properties and methods of **CSSRule** as well as the properties and methods defined below.

The **CSSFontFaceRule** object has the following properties:

style

This property is of type **CSSStyleDeclaration**.

Object **CSSPageRule**

CSSPageRule has the all the properties and methods of **CSSRule** as well as the properties and methods defined below.

The **CSSPageRule** object has the following properties:

selectorText

This property is of type **String**.

style

This property is of type **CSSStyleDeclaration**.

Object **CSSImportRule**

CSSImportRule has the all the properties and methods of **CSSRule** as well as the properties and methods defined below.

The **CSSImportRule** object has the following properties:

href

This property is of type **String**.

media

This property is of type **MediaList**.

styleSheet

This property is of type **CSSStyleSheet**.

Object **CSSCharsetRule**

CSSCharsetRule has the all the properties and methods of **CSSRule** as well as the properties and methods defined below.

The **CSSCharsetRule** object has the following properties:

encoding

This property is of type **String**.

Object **CSSUnknownRule**

CSSUnknownRule has the all the properties and methods of **CSSRule** as well as the properties and methods defined below.

Object **CSSStyleDeclaration**

The **CSSStyleDeclaration** object has the following properties:

cssText

This property is of type **String**.

length

This property is of type **int**.

parentRule

This property is of type **CSSRule**.

The **CSSStyleDeclaration** object has the following methods:

getPropertyValue(propertyName)

This method returns a **DOMString**. The **propertyName** parameter is of type **DOMString**.

getPropertyCSSValue(propertyName)

This method returns a **CSSValue**. The **propertyName** parameter is of type **DOMString**.

removeProperty(propertyName)

This method returns a **DOMString**. The **propertyName** parameter is of type **DOMString**.

getPropertyPriority(propertyName)

This method returns a **DOMString**. The **propertyName** parameter is of type **DOMString**.

setProperty(propertyName, value, priority)

This method returns a **void**. The **propertyName** parameter is of type **DOMString**. The **value** parameter is of type **DOMString**. The **priority** parameter is of type **DOMString**.

item(index)

This method returns a **DOMString**. The **index** parameter is of type **unsigned long**. This

object can also be dereferenced using square bracket notation (e.g. obj[1]). Dereferencing with an integer `index` is equivalent to invoking the **item** method with that index.

Class **CSSValue**

The **CSSValue** class has the following constants:

CSSValue.CSS_INHERIT

This constant is of type **short** and its value is **0**.

CSSValue.CSS_PRIMITIVE_VALUE

This constant is of type **short** and its value is **1**.

CSSValue.CSS_VALUE_LIST

This constant is of type **short** and its value is **2**.

CSSValue.CSS_CUSTOM

This constant is of type **short** and its value is **3**.

Object **CSSValue**

The **CSSValue** object has the following properties:

cssText

This property is of type **String**.

valueType

This property is of type **short**.

Class **CSSPrimitiveValue**

The **CSSPrimitiveValue** class has the following constants:

CSSPrimitiveValue.CSS_UNKNOWN

This constant is of type **short** and its value is **0**.

CSSPrimitiveValue.CSS_NUMBER

This constant is of type **short** and its value is **1**.

CSSPrimitiveValue.CSS_PERCENTAGE

This constant is of type **short** and its value is **2**.

CSSPrimitiveValue.CSS_EMS

This constant is of type **short** and its value is **3**.

CSSPrimitiveValue.CSS_EXS

This constant is of type **short** and its value is **4**.

CSSPrimitiveValue.CSS_PX

This constant is of type **short** and its value is **5**.

CSSPrimitiveValue.CSS_CM

This constant is of type **short** and its value is **6**.

CSSPrimitiveValue.CSS_MM

This constant is of type **short** and its value is **7**.

CSSPrimitiveValue.CSS_IN

This constant is of type **short** and its value is **8**.

CSSPrimitiveValue.CSS_PT

This constant is of type **short** and its value is **9**.

CSSPrimitiveValue.CSS_PC

This constant is of type **short** and its value is **10**.

CSSPrimitiveValue.CSS_DEG

This constant is of type **short** and its value is **11**.

CSSPrimitiveValue.CSS_RAD

This constant is of type **short** and its value is **12**.

CSSPrimitiveValue.CSS_GRAD

This constant is of type **short** and its value is **13**.

CSSPrimitiveValue.CSS_MS

This constant is of type **short** and its value is **14**.

CSSPrimitiveValue.CSS_S

This constant is of type **short** and its value is **15**.

CSSPrimitiveValue.CSS_HZ

This constant is of type **short** and its value is **16**.

CSSPrimitiveValue.CSS_KHZ

This constant is of type **short** and its value is **17**.

CSSPrimitiveValue.CSS_DIMENSION

This constant is of type **short** and its value is **18**.

CSSPrimitiveValue.CSS_STRING

This constant is of type **short** and its value is **19**.

CSSPrimitiveValue.CSS_URI

This constant is of type **short** and its value is **20**.

CSSPrimitiveValue.CSS_IDENT

This constant is of type **short** and its value is **21**.

CSSPrimitiveValue.CSS_ATTR

This constant is of type **short** and its value is **22**.

CSSPrimitiveValue.CSS_COUNTER

This constant is of type **short** and its value is **23**.

CSSPrimitiveValue.CSS_RECT

This constant is of type **short** and its value is **24**.

CSSPrimitiveValue.CSS_RGBCOLOR

This constant is of type **short** and its value is **25**.

Object CSSPrimitiveValue

CSSPrimitiveValue has all the properties and methods of **CSSValue** as well as the properties and methods defined below.

The **CSSPrimitiveValue** object has the following properties:

primitiveType

This property is of type **short**.

The **CSSPrimitiveValue** object has the following methods:

setFloatValue(unitType, floatValue)

This method returns a **void**. The **unitType** parameter is of type **unsigned short**. The **floatValue** parameter is of type **float**.

getFloatValue(unitType)

This method returns a **float**. The **unitType** parameter is of type **unsigned short**.

setStringValue(stringType, stringValue)

This method returns a **void**. The **stringType** parameter is of type **unsigned short**. The **stringValue** parameter is of type **DOMString**.

getStringValue()

This method returns a **DOMString**.

getCounterValue()

This method returns a **Counter**.

getRectValue()

This method returns a **Rect**.

getRGBColorValue()

This method returns a **RGBColor**.

Object **CSSValueList**

CSSValueList has all the properties and methods of **CSSValue** as well as the properties and methods defined below.

The **CSSValueList** object has the following properties:

length

This property is of type **int**.

The **CSSValueList** object has the following methods:

item(index)

This method returns a **CSSValue**. The **index** parameter is of type **unsigned long**. This object can also be dereferenced using square bracket notation (e.g. obj[1]). Dereferencing with an integer `index` is equivalent to invoking the **item** method with that index.

Object **RGBColor**

The **RGBColor** object has the following properties:

red

This property is of type **CSSPrimitiveValue**.

green

This property is of type **CSSPrimitiveValue**.

blue

This property is of type **CSSPrimitiveValue**.

Object **Rect**

The **Rect** object has the following properties:

top

This property is of type **CSSPrimitiveValue**.

right

This property is of type **CSSPrimitiveValue**.

bottom

This property is of type **CSSPrimitiveValue**.

left

This property is of type **CSSPrimitiveValue**.

Object **Counter**

The **Counter** object has the following properties:

identifier

This property is of type **String**.

listStyle

This property is of type **String**.

separator

This property is of type **String**.

Object **ViewCSS**

ViewCSS has all the properties and methods of **AbstractView** as well as the properties and methods defined below.

The **ViewCSS** object has the following methods:

getComputedStyle(elt, pseudoElt)

This method returns a **CSSStyleDeclaration**. The **elt** parameter is of type **Element**. The **pseudoElt** parameter is of type **DOMString**.

Object **DocumentCSS**

DocumentCSS has the all the properties and methods of **DocumentStyle** as well as the properties and methods defined below.

The **DocumentCSS** object has the following methods:

getOverrideStyle(elt, pseudoElt)

This method returns a **CSSStyleDeclaration**. The **elt** parameter is of type **Element**. The **pseudoElt** parameter is of type **DOMString**.

Object **DOMImplementationCSS**

DOMImplementationCSS has the all the properties and methods of **DOMImplementation** as well as the properties and methods defined below.

The **DOMImplementationCSS** object has the following methods:

createCSSStyleSheet(title, media)

This method returns a **CSSStyleSheet**. The **title** parameter is of type **DOMString**. The **media** parameter is of type **DOMString**.

Object **ElementCSSInlineStyle**

The **ElementCSSInlineStyle** object has the following properties:

style

This property is of type **CSSStyleDeclaration**.

Object **CSS2Azimuth**

CSS2Azimuth has the all the properties and methods of **CSSValue** as well as the properties and methods defined below.

The **CSS2Azimuth** object has the following properties:

azimuthType

This property is of type **short**.

identifier

This property is of type **String**.

behind

This property is of type **boolean**.

The **CSS2Azimuth** object has the following methods:

setAngleValue(uType, fValue)

This method returns a **void**. The **uType** parameter is of type **unsigned short**. The **fValue** parameter is of type **float**.

getAngleValue(uType)

This method returns a **float**. The **uType** parameter is of type **unsigned short**.

setIdentifier(ident, b)

This method returns a **void**. The **ident** parameter is of type **DOMString**. The **b** parameter is of type **boolean**.

Object **CSS2BackgroundPosition**

CSS2BackgroundPosition has the all the properties and methods of **CSSValue** as well as the properties and methods defined below.

The **CSS2BackgroundPosition** object has the following properties:

horizontalType

This property is of type **short**.

verticalType

This property is of type **short**.

horizontalIdentifier

This property is of type **String**.

verticalIdentifier

This property is of type **String**.

The **CSS2BackgroundPosition** object has the following methods:

getHorizontalPosition(hType)

This method returns a **float**. The **hType** parameter is of type **float**.

getVerticalPosition(vType)

This method returns a **float**. The **vType** parameter is of type **float**.

setHorizontalPosition(hType, value)

This method returns a **void**. The **hType** parameter is of type **unsigned short**. The **value** parameter is of type **float**.

setVerticalPosition(vType, value)

This method returns a **void**. The **vType** parameter is of type **unsigned short**. The **value** parameter is of type **float**.

setPositionIdentifier(hIdentifier, vIdentifier)

This method returns a **void**. The **hIdentifier** parameter is of type **DOMString**. The **vIdentifier** parameter is of type **DOMString**.

Object **CSS2BorderSpacing**

CSS2BorderSpacing has the all the properties and methods of **CSSValue** as well as the properties and methods defined below.

The **CSS2BorderSpacing** object has the following properties:

horizontalType

This property is of type **short**.

verticalType

This property is of type **short**.

The **CSS2BorderSpacing** object has the following methods:

getHorizontalSpacing(hType)

This method returns a **float**. The **hType** parameter is of type **float**.

getVerticalSpacing(vType)

This method returns a **float**. The **vType** parameter is of type **float**.

setHorizontalSpacing(hType, value)

This method returns a **void**. The **hType** parameter is of type **unsigned short**. The **value** parameter is of type **float**.

setVerticalSpacing(vType, value)

This method returns a **void**. The **vType** parameter is of type **unsigned short**. The **value** parameter is of type **float**.

Object **CSS2CounterReset**

CSS2CounterReset has the all the properties and methods of **CSSValue** as well as the properties and methods defined below.

The **CSS2CounterReset** object has the following properties:

identifier

This property is of type **String**.

reset

This property is of type **short**.

Object **CSS2CounterIncrement**

CSS2CounterIncrement has the all the properties and methods of **CSSValue** as well as the properties and methods defined below.

The **CSS2CounterIncrement** object has the following properties:

identifier

This property is of type **String**.

increment

This property is of type **short**.

Object **CSS2Cursor**

CSS2Cursor has the all the properties and methods of **CSSValue** as well as the properties and methods defined below.

The **CSS2Cursor** object has the following properties:

uris

This property is of type **CSSValueList**.

predefinedCursor

This property is of type **String**.

Object **CSS2PlayDuring**

CSS2PlayDuring has the all the properties and methods of **CSSValue** as well as the properties and methods defined below.

The **CSS2PlayDuring** object has the following properties:

playDuringType

This property is of type **short**.

playDuringIdentifier

This property is of type **String**.

uri

This property is of type **String**.

mix

This property is of type **boolean**.

repeat

This property is of type **boolean**.

Object **CSS2TextShadow**

The **CSS2TextShadow** object has the following properties:

color

This property is of type **CSSValue**.

horizontal

This property is of type **CSSValue**.

vertical

This property is of type **CSSValue**.

blur

This property is of type **CSSValue**.

Object **CSS2FontFaceSrc**

The **CSS2FontFaceSrc** object has the following properties:

uri

This property is of type **String**.

format

This property is of type **CSSValueList**.

fontFaceName

This property is of type **String**.

Object **CSS2FontFaceWidths**

The **CSS2FontFaceWidths** object has the following properties:

urange

This property is of type **String**.

numbers

This property is of type **CSSValueList**.

Object **CSS2PageSize**

CSS2PageSize has the all the properties and methods of **CSSValue** as well as the properties and methods defined below.

The **CSS2PageSize** object has the following properties:

widthType

This property is of type **short**.

heightType

This property is of type **short**.

identifier

This property is of type **String**.

The **CSS2PageSize** object has the following methods:

getWidth(wType)

This method returns a **float**. The **wType** parameter is of type **float**.

getHeightSize(hType)

This method returns a **float**. The **hType** parameter is of type **float**.

setWidthSize(wType, value)

This method returns a **void**. The **wType** parameter is of type **unsigned short**. The **value** parameter is of type **float**.

setHeightSize(hType, value)

This method returns a **void**. The **hType** parameter is of type **unsigned short**. The **value** parameter is of type **float**.

setIdentifier(ident)

This method returns a **void**. The **ident** parameter is of type **DOMString**.

Object **CSS2Properties**

The **CSS2Properties** object has the following properties:

azimuth

This property is of type **String**.

background

This property is of type **String**.

backgroundAttachment

This property is of type **String**.

backgroundColor

This property is of type **String**.

backgroundImage

This property is of type **String**.

backgroundPosition

This property is of type **String**.

backgroundRepeat

This property is of type **String**.

border

This property is of type **String**.

borderCollapse

This property is of type **String**.

borderColor

This property is of type **String**.

borderSpacing

This property is of type **String**.

borderStyle

This property is of type **String**.

borderTop

This property is of type **String**.

borderRight

This property is of type **String**.

borderBottom

This property is of type **String**.

borderLeft

This property is of type **String**.

borderTopColor

This property is of type **String**.

borderRightColor

This property is of type **String**.

borderBottomColor

This property is of type **String**.

borderLeftColor

This property is of type **String**.

borderTopStyle

This property is of type **String**.

borderRightStyle

This property is of type **String**.

borderBottomStyle

This property is of type **String**.

borderLeftStyle

This property is of type **String**.

borderTopWidth

This property is of type **String**.

borderRightWidth

This property is of type **String**.

borderBottomWidth

This property is of type **String**.

borderLeftWidth

This property is of type **String**.

borderWidth

This property is of type **String**.

bottom

This property is of type **String**.

captionSide

This property is of type **String**.

clear

This property is of type **String**.

clip

This property is of type **String**.

color

This property is of type **String**.

content

This property is of type **String**.

counterIncrement

This property is of type **String**.

counterReset

This property is of type **String**.

cue

This property is of type **String**.

cueAfter

This property is of type **String**.

cueBefore

This property is of type **String**.

cursor

This property is of type **String**.

direction

This property is of type **String**.

display

This property is of type **String**.

elevation

This property is of type **String**.

emptyCells

This property is of type **String**.

cssFloat

This property is of type **String**.

font

This property is of type **String**.

fontFamily

This property is of type **String**.

fontSize

This property is of type **String**.

fontSizeAdjust

This property is of type **String**.

fontStretch

This property is of type **String**.

fontStyle

This property is of type **String**.

fontVariant

This property is of type **String**.

fontWeight

This property is of type **String**.

height

This property is of type **String**.

left

This property is of type **String**.

letterSpacing

This property is of type **String**.

lineHeight

This property is of type **String**.

listStyle

This property is of type **String**.

listStyleImage

This property is of type **String**.

listStylePosition

This property is of type **String**.

listStyleType

This property is of type **String**.

margin

This property is of type **String**.

marginTop

This property is of type **String**.

marginRight

This property is of type **String**.

marginBottom

This property is of type **String**.

marginLeft

This property is of type **String**.

markerOffset

This property is of type **String**.

marks

This property is of type **String**.

maxHeight

This property is of type **String**.

maxWidth

This property is of type **String**.

minHeight

This property is of type **String**.

minWidth

This property is of type **String**.

orphans

This property is of type **String**.

outline

This property is of type **String**.

outlineColor

This property is of type **String**.

outlineStyle

This property is of type **String**.

outlineWidth

This property is of type **String**.

overflow

This property is of type **String**.

padding

This property is of type **String**.

paddingTop

This property is of type **String**.

paddingRight

This property is of type **String**.

paddingBottom

This property is of type **String**.

paddingLeft

This property is of type **String**.

page

This property is of type **String**.

pageBreakAfter

This property is of type **String**.

pageBreakBefore

This property is of type **String**.

pageBreakInside

This property is of type **String**.

pause

This property is of type **String**.

pauseAfter

This property is of type **String**.

pauseBefore

This property is of type **String**.

pitch

This property is of type **String**.

pitchRange

This property is of type **String**.

playDuring

This property is of type **String**.

position

This property is of type **String**.

quotes

This property is of type **String**.

richness

This property is of type **String**.

right
This property is of type **String**.

size
This property is of type **String**.

speak
This property is of type **String**.

speakHeader
This property is of type **String**.

speakNumeral
This property is of type **String**.

speakPunctuation
This property is of type **String**.

speechRate
This property is of type **String**.

stress
This property is of type **String**.

tableLayout
This property is of type **String**.

textAlign
This property is of type **String**.

textDecoration
This property is of type **String**.

textIndent
This property is of type **String**.

textShadow
This property is of type **String**.

textTransform
This property is of type **String**.

top
This property is of type **String**.

unicodeBidi
This property is of type **String**.

verticalAlign
This property is of type **String**.

visibility
This property is of type **String**.

voiceFamily
This property is of type **String**.

volume
This property is of type **String**.

whiteSpace
This property is of type **String**.

widows
This property is of type **String**.

width
This property is of type **String**.

wordSpacing

This property is of type **String**.

zIndex

This property is of type **String**.

E.6: Document Object Model Events

Object **EventTarget**

The **EventTarget** object has the following methods:

addEventListener(type, listener, useCapture)

This method returns a **void**. The **type** parameter is of type **DOMString**. The **listener** parameter is of type **EventListener**. The **useCapture** parameter is of type **boolean**.

removeEventListener(type, listener, useCapture)

This method returns a **void**. The **type** parameter is of type **DOMString**. The **listener** parameter is of type **EventListener**. The **useCapture** parameter is of type **boolean**.

dispatchEvent(evt)

This method returns a **boolean**. The **evt** parameter is of type **Event**.

Object **EventListener**

This is an ECMAScript function reference. This method returns a **void**. The parameter is of type **Event**.

Class **Event**

The **Event** class has the following constants:

Event.CAPTURING_PHASE

This constant is of type **short** and its value is **1**.

Event.AT_TARGET

This constant is of type **short** and its value is **2**.

Event.BUBBLING_PHASE

This constant is of type **short** and its value is **3**.

Object **Event**

The **Event** object has the following properties:

type

This property is of type **String**.

target

This property is of type **EventTarget**.

currentNode

This property is of type **Node**.

eventPhase

This property is of type **short**.

bubbles

This property is of type **boolean**.

cancelable

This property is of type **boolean**.

timeStamp

This property is of type **Date**.

The **Event** object has the following methods:

stopPropagation()

This method returns a **void**.

preventDefault()

This method returns a **void**.

initEvent(eventTypeArg, canBubbleArg, cancelableArg)

This method returns a **void**. The **eventTypeArg** parameter is of type **DOMString**. The **canBubbleArg** parameter is of type **boolean**. The **cancelableArg** parameter is of type **boolean**.

Object **DocumentEvent**

The **DocumentEvent** object has the following methods:

createEvent(eventType)

This method returns a **Event**. The **eventType** parameter is of type **DOMString**.

Object **UIEvent**

UIEvent has all the properties and methods of **Event** as well as the properties and methods defined below.

The **UIEvent** object has the following properties:

view

This property is of type **AbstractView**.

detail

This property is of type **long**.

The **UIEvent** object has the following methods:

initUIEvent(typeArg, canBubbleArg, cancelableArg, viewArg, detailArg)

This method returns a **void**. The **typeArg** parameter is of type **DOMString**. The **canBubbleArg** parameter is of type **boolean**. The **cancelableArg** parameter is of type **boolean**. The **viewArg** parameter is of type **views::AbstractView**. The **detailArg** parameter is of type **long**.

Object **MouseEvent**

MouseEvent has all the properties and methods of **UIEvent** as well as the properties and methods defined below.

The **MouseEvent** object has the following properties:

screenX

This property is of type **long**.

screenY

This property is of type **long**.

clientX

This property is of type **long**.

clientY

This property is of type **long**.

ctrlKey

This property is of type **boolean**.

shiftKey

This property is of type **boolean**.

altKey

This property is of type **boolean**.

metaKey

This property is of type **boolean**.

button

This property is of type **short**.

relatedNode

This property is of type **Node**.

The **MouseEvent** object has the following methods:

initMouseEvent(typeArg, canBubbleArg, cancelableArg, viewArg, detailArg, screenXArg, screenYArg, clientXArg, clientYArg, ctrlKeyArg, altKeyArg, shiftKeyArg, metaKeyArg, buttonArg, relatedNodeArg)

This method returns a **void**. The **typeArg** parameter is of type **DOMString**. The **canBubbleArg** parameter is of type **boolean**. The **cancelableArg** parameter is of type **boolean**. The **viewArg** parameter is of type **views::AbstractView**. The **detailArg** parameter is of type **long**. The **screenXArg** parameter is of type **long**. The **screenYArg** parameter is of type **long**. The **clientXArg** parameter is of type **long**. The **clientYArg** parameter is of type **long**. The **ctrlKeyArg** parameter is of type **boolean**. The **altKeyArg** parameter is of type **boolean**. The **shiftKeyArg** parameter is of type **boolean**. The **metaKeyArg** parameter is of type **boolean**. The **buttonArg** parameter is of type **unsigned short**. The **relatedNodeArg** parameter is of type **Node**.

Object **MutationEvent**

MutationEvent has the all the properties and methods of **Event** as well as the properties and methods defined below.

The **MutationEvent** object has the following properties:

relatedNode

This property is of type **Node**.

prevValue

This property is of type **String**.

newValue

This property is of type **String**.

attrName

This property is of type **String**.

The **MutationEvent** object has the following methods:

initMutationEvent(typeArg, canBubbleArg, cancelableArg, relatedNodeArg, prevValueArg, newValueArg, attrNameArg)

This method returns a **void**. The **typeArg** parameter is of type **DOMString**. The **canBubbleArg** parameter is of type **boolean**. The **cancelableArg** parameter is of type **boolean**. The **relatedNodeArg** parameter is of type **Node**. The **prevValueArg** parameter is of type **DOMString**. The **newValueArg** parameter is of type **DOMString**. The **attrNameArg** parameter is of type **DOMString**.

The following example will add an ECMA Script based EventListener to the Node 'exampleNode':

```
// Given the Node 'exampleNode'

// Define the EventListener function
function clickHandler(evt)
{
    // Function contents
}

// The following line will add a non-capturing 'click' listener
// to 'exampleNode'.
exampleNode.addEventListener("click", clickHandler, false);
```

E.7: Document Object Model Traversal

Object **NodeIterator**

The **NodeIterator** object has the following properties:

root

This property is of type **Node**.

whatToShow

This property is of type **int**.

filter

This property is of type **NodeFilter**.

expandEntityReferences

This property is of type **boolean**.

The **NodeIterator** object has the following methods:

nextNode()

This method returns a **Node**.

previousNode()

This method returns a **Node**.

detach()

This method returns a **void**.

Object **NodeFilter**

This is an ECMAScript function reference. This method returns a **short**. The parameter is of type **Node**.

Object **TreeWalker**

The **TreeWalker** object has the following properties:

root

This property is of type **Node**.

whatToShow

This property is of type **int**.

filter

This property is of type **NodeFilter**.

expandEntityReferences

This property is of type **boolean**.

currentNode

This property is of type **Node**.

The **TreeWalker** object has the following methods:

parentNode()

This method returns a **Node**.

firstChild()

This method returns a **Node**.

lastChild()

This method returns a **Node**.

previousSibling()

This method returns a **Node**.

nextSibling()

This method returns a **Node**.

previousNode()

This method returns a **Node**.

nextNode()

This method returns a **Node**.

Object **DocumentTraversal**

The **DocumentTraversal** object has the following methods:

createNodeIterator(root, whatToShow, filter, entityReferenceExpansion)

This method returns a **NodeIterator**. The **root** parameter is of type **Node**. The **whatToShow** parameter is of type **unsigned long**. The **filter** parameter is of type **NodeFilter**. The **entityReferenceExpansion** parameter is of type **boolean**.

createTreeWalker(root, whatToShow, filter, entityReferenceExpansion)

This method returns a **TreeWalker**. The **root** parameter is of type **Node**. The **whatToShow** parameter is of type **unsigned long**. The **filter** parameter is of type **NodeFilter**. The **entityReferenceExpansion** parameter is of type **boolean**.

E.8: Document Object Model Range

Class **Range**

The **Range** class has the following constants:

Range.START_TO_START

This constant is of type **short** and its value is **0**.

Range.START_TO_END

This constant is of type **short** and its value is **1**.

Range.END_TO_END

This constant is of type **short** and its value is **2**.

Range.END_TO_START

This constant is of type **short** and its value is **3**.

Object **Range**

The **Range** object has the following properties:

startContainer

This property is of type **Node**.

startOffset

This property is of type **long**.

endContainer

This property is of type **Node**.

endOffset

This property is of type **long**.

collapsed

This property is of type **boolean**.

commonAncestorContainer

This property is of type **Node**.

The **Range** object has the following methods:

setStart(refNode, offset)

This method returns a **void**. The **refNode** parameter is of type **Node**. The **offset** parameter is of type **long**.

setEnd(refNode, offset)

This method returns a **void**. The **refNode** parameter is of type **Node**. The **offset** parameter is of type **long**.

setStartBefore(refNode)

This method returns a **void**. The **refNode** parameter is of type **Node**.

setStartAfter(refNode)

This method returns a **void**. The **refNode** parameter is of type **Node**.

setEndBefore(refNode)

This method returns a **void**. The **refNode** parameter is of type **Node**.

setEndAfter(refNode)

This method returns a **void**. The **refNode** parameter is of type **Node**.

collapse(toStart)

This method returns a **void**. The **toStart** parameter is of type **boolean**.

selectNode(refNode)

This method returns a **void**. The **refNode** parameter is of type **Node**.

selectNodeContents(refNode)

This method returns a **void**. The **refNode** parameter is of type **Node**.

compareBoundaryPoints(how, sourceRange)

This method returns a **short**. The **how** parameter is of type **unsigned short**. The **sourceRange** parameter is of type **Range**.

deleteContents()

This method returns a **void**.

extractContents()

This method returns a **DocumentFragment**.

cloneContents()

This method returns a **DocumentFragment**.

insertNode(newNode)

This method returns a **void**. The **newNode** parameter is of type **Node**.

surroundContents(newParent)

This method returns a **void**. The **newParent** parameter is of type **Node**.

cloneRange()

This method returns a **Range**.

toString()

This method returns a **DOMString**.

detach()

This method returns a **void**.

Object **DocumentRange**

The **DocumentRange** object has the following methods:

createRange()

This method returns a **Range**.

Acknowledgments

Many people contributed to this specification, including members of the DOM Working Group and the DOM Interest Group. We especially thank the following:

Lauren Wood (SoftQuad Software Inc., *chair*), Arnaud Le Hors (W3C, *W3C staff contact*), Andrew Watson (Object Management Group), Andy Heninger (IBM), Ben Chang (Oracle), Bill Smith (Sun), Bill Shea (Merrill Lynch), Bob Sutor (IBM), Chris Lovett (Microsoft), Chris Wilson (Microsoft), David Brownell (Sun), David Singer (IBM), Don Park (invited), Eric Vasilik (Microsoft), Gavin Nicol (INSO), Ian Jacobs (W3C), James Clark (invited), James Davidson (Sun), Jared Sorensen (Novell), Joe Kesselman (IBM), Joe Lapp (webMethods), Jonathan Robie (Texcel Research and Software AG), Kim Adamson-Sharpe (SoftQuad Software Inc.), Laurence Cable (Sun), Mark Davis (IBM), Mark Scardina (Oracle), Martin Dürst (W3C), Mike Champion (ArborText and Software AG), Miles Sabin (Cromwell Media), Patti Lutsky (Arbortext), Paul Grosso (Arbortext), Peter Sharpe (SoftQuad Software Inc.), Phil Karlton (Netscape), Philippe Le Hégarret (W3C), Ramesh Lekshmyarayanan (Merrill Lynch), Ray Whitmer (iMall and Excite@Home), Rich Rollman (Microsoft), Rick Gessner (Netscape), Scott Isaacs (Microsoft), Sharon Adler (INSO), Steve Byrne (JavaSoft), Tim Bray (invited), Tom Pixley (Netscape), Vidur Apparao (Netscape), Vinod Anupam (Lucent).

Thanks to all those who have helped to improve this specification by sending suggestions and corrections.

Thanks to Joe English, author of cost for helping so much in allowing us to develop a framework that made the production of this specification possible.

Thanks to Jan Kärman, author of html2ps for helping so much in creating the PostScript version of the specification.

Acknowledgments

Glossary

Editors

Arnaud Le Hors, W3C

Robert S. Sutor, IBM Research (for DOM Level 1)

Several of the following term definitions have been borrowed or modified from similar definitions in other W3C or standards documents. See the links within the definitions for more information.

16-bit unit

The base unit of a `DOMString` [p.21]. This indicates that indexing on a `DOMString` occurs in units of 16 bits. This must not be misunderstood to mean that a `DOMString` can store arbitrary 16-bit units. A `DOMString` is a character string encoded in UTF-16; this means that the restrictions of UTF-16 as well as the other relevant restrictions on character strings must be maintained. A single character, for example in the form of a numeric character reference, may correspond to one or two 16-bit units.

ancestor

An *ancestor* node of any node A is any node above A in a tree model of a document, where "above" means "toward the root."

API

An *API* is an application programming interface, a set of functions or methods used to access some functionality.

child

A *child* is an immediate descendant node of a node.

client application

A [client] application is any software that uses the Document Object Model programming interfaces provided by the hosting implementation to accomplish useful work. Some examples of client applications are scripts within an HTML or XML document.

COM

COM is Microsoft's Component Object Model [COM], a technology for building applications from binary software components.

content model

The *content model* is a simple grammar governing the allowed types of the child elements and the order in which they appear. See *Element Content* in XML [XML].

context

A *context* specifies an access pattern (or path): a set of interfaces which give you a way to interact with a model. For example, imagine a model with different colored arcs connecting data nodes. A context might be a sheet of colored acetate that is placed over the model allowing you a partial view of the total information in the model.

convenience

A *convenience method* is an operation on an object that could be accomplished by a program consisting of more basic operations on the object. Convenience methods are usually provided to make the API easier and simpler to use or to allow specific programs to create more optimized implementations for common operations. A similar definition holds for a *convenience property*.

cooked model

A model for a document that represents the document after it has been manipulated in some way. For example, any combination of any of the following transformations would create a cooked model:

1. Expansion of internal text entities.
2. Expansion of external entities.
3. Model augmentation with style-specified generated text.
4. Execution of style-specified reordering.
5. Execution of scripts.

A browser might only be able to provide access to a cooked model, while an editor might provide access to a cooked or the initial structure model (also known as the *uncooked model*) for a document.

CORBA

CORBA is the *Common Object Request Broker Architecture* from the OMG [CORBA]. This architecture is a collection of objects and libraries that allow the creation of applications containing objects that make and receive requests and responses in a distributed environment.

cursor

A *cursor* is an object representation of a node. It may possess information about context and the path traversed to reach the node.

data model

A *data model* is a collection of descriptions of data structures and their contained fields, together with the operations or functions that manipulate them.

deprecation

When new releases of specifications are released, some older features may be marked as being *deprecated*. This means that new work should not use the features and that although they are supported in the current release, they may not be supported or available in future releases.

descendant

A *descendant* node of any node A is any node below A in a tree model of a document, where "above" means "toward the root."

DOM Level 0

The term "DOM Level 0" refers to a mix (not formally specified) of HTML document functionalities offered by Netscape Navigator version 3.0 and Microsoft Internet Explorer version 3.0. In some cases, attributes or methods have been included for reasons of backward compatibility with "DOM Level 0".

ECMAScript

The programming language defined by the ECMA-262 standard [ECMAScript]. As stated in the standard, the originating technology for ECMAScript was JavaScript [JavaScript]. Note that in the ECMAScript binding, the word "property" is used in the same sense as the IDL term "attribute."

element

Each document contains one or more elements, the boundaries of which are either delimited by start-tags and end-tags, or, for empty elements by an empty-element tag. Each element has a type, identified by name, and may have a set of attributes. Each attribute has a name and a value. See *Logical Structures* in XML [XML].

event propagation, also known as event bubbling

This is the idea that an event can affect one object and a set of related objects. Any of the potentially affected objects can block the event or substitute a different one (upward event propagation). The event is broadcast from the node at which it originates to every parent node.

equivalence

Two nodes are *equivalent* if they have the same node type and same node name. Also, if the nodes contain data, that must be the same. Finally, if the nodes have attributes the collection of attribute names must be the same and the attributes corresponding by name must be equivalent as nodes.

Two nodes are *deeply equivalent* if they are *equivalent*, their child node lists are equivalent NodeList [p.48] objects, and their attributes are deeply equivalent.

Two NodeList [p.48] objects are *equivalent* if they have the same length, and the nodes corresponding by index are deeply equivalent.

Two NamedNodeMap [p.49] objects are *equivalent* if they have the same length, they have same collection of names, and the nodes corresponding by name in the maps are deeply equivalent.

Two DocumentType [p.69] nodes are *equivalent* if they are equivalent as nodes, have the same names, and have equivalent entities and attributes NamedNodeMap [p.49] objects.

information item

An information item is an abstract representation of some component of an XML document. See the [InfoSet] for details.

hosting implementation

A [hosting] implementation is a software module that provides an implementation of the DOM interfaces so that a client application can use them. Some examples of hosting implementations are browsers, editors and document repositories.

HTML

The HyperText Markup Language (*HTML*) is a simple markup language used to create hypertext documents that are portable from one platform to another. HTML documents are SGML documents with generic semantics that are appropriate for representing information from a wide range of applications. [HTML4.0]

IDL

An Interface Definition Language (*IDL*) is used to define the interfaces for accessing and operating upon objects. Examples of IDLs are the Object Management Group's IDL [CORBA], Microsoft's IDL [MIDL], and Sun's Java IDL [JavaIDL].

implementor

Companies, organizations, and individuals that claim to support the Document Object Model as an API for their products.

inheritance

In object-oriented programming, the ability to create new classes (or interfaces) that contain all the methods and properties of another class (or interface), plus additional methods and properties. If class (or interface) D inherits from class (or interface) B, then D is said to be *derived* from B. B is said to be a *base* class (or interface) for D. Some programming languages allow for multiple inheritance, that is, inheritance from more than one class or interface.

initial structure model

Also known as the *raw structure model* or the *uncooked model*, this represents the document before it has been modified by entity expansions, generated text, style-specified reordering, or the execution of scripts. In some implementations, this might correspond to the "initial parse tree" for the document, if it ever exists. Note that a given implementation might not be able to provide access to the initial structure model for a document, though an editor probably would.

interface

An *interface* is a declaration of a set of methods with no information given about their implementation. In object systems that support interfaces and inheritance, interfaces can usually

inherit from one another.

language binding

A programming *language binding* for an IDL specification is an implementation of the interfaces in the specification for the given language. For example, a Java language binding for the Document Object Model IDL specification would implement the concrete Java classes that provide the functionality exposed by the interfaces.

local name

A *local name* is the local part of a *qualified name*. This is called the *local part* in Namespaces in XML [Namespaces].

method

A *method* is an operation or function that is associated with an object and is allowed to manipulate the object's data.

model

A *model* is the actual data representation for the information at hand. Examples are the structural model and the style model representing the parse structure and the style information associated with a document. The model might be a tree, or a directed graph, or something else.

namespace prefix

A *namespace prefix* is a string that associates an element or attribute name with a *namespace URI* in XML. See *namespace prefix* in Namespaces in XML [Namespaces].

namespace URI

A *namespace URI* is a URI that identifies an XML namespace. This is called the *namespace name* in Namespaces in XML [Namespaces].

object model

An *object model* is a collection of descriptions of classes or interfaces, together with their member data, member functions, and class-static operations.

parent

A *parent* is an immediate ancestor node of a node.

qualified name

A *qualified name* is the name of an element or attribute defined as the concatenation of a *local name* (as defined in this specification), optionally preceded by a *namespace prefix* and colon character. See *Qualified Names* in Namespaces in XML [Namespaces].

root node

The *root node* is the unique node that is not a child of any other node. All other nodes are children or other descendants of the root node. See *Well-Formed XML Documents* in XML [XML].

readonly node

A *readonly node* is a node that is immutable. This means its list of children, its content, and its attributes, when it is an element, cannot be changed in any way. However, a readonly node can possibly be moved, when it is not itself contained in a readonly node.

sibling

Two nodes are *siblings* if they have the same parent node.

string comparison

When string matching is required, it is to occur as though the comparison was between 2 sequences of code points from the Unicode 2.0 standard.

tag valid document

A document is *tag valid* if all begin and end tags are properly balanced and nested.

type valid document

A document is *type valid* if it conforms to an explicit DTD.

uncooked model

See initial structure model.

well-formed document

A document is *well-formed* if it is tag valid and entities are limited to single elements (i.e., single sub-trees).

XML

Extensible Markup Language (*XML*) is an extremely simple dialect of SGML. The goal is to enable generic SGML to be served, received, and processed on the Web in the way that is now possible with HTML. XML has been designed for ease of implementation and for interoperability with both SGML and HTML. [XML]

XML name

See *XML name* in the XML specification [XML].

XML namespace

An *XML namespace* is a collection of names, identified by a URI reference [RFC2396], which are used in XML documents as element types and attribute names. [Namespaces]

References

Charmod

W3C (World Wide Web Consortium) *Character Model for the World Wide Web*. See <http://www.w3.org/TR/charmod>.

COM

Microsoft *The Component Object Model*. See <http://www.microsoft.com/com>.

CORBA

OMG (Object Management Group) *The Common Object Request Broker: Architecture and Specification*. See <http://www.omg.org/library/c2indx.html>.

CSS2

W3C (World Wide Web Consortium) *Cascading Style Sheets, level 2 Specification*. See <http://www.w3.org/TR/1998/REC-CSS2-19980512>.

DOM-Level-1

W3C (World Wide Web Consortium) *DOM Level 1 Specification*. See <http://www.w3.org/TR/REC-DOM-Level-1>.

ECMAScript

ECMA (European Computer Manufacturers Association) *ECMAScript Language Specification*. See <http://www.ecma.ch/stand/ecma-262.htm>.

HTML4.0

W3C (World Wide Web Consortium) *HTML 4.0 Specification*. See <http://www.w3.org/TR/1998/REC-html40-19980424>.

Infoset

W3C (World Wide Web Consortium) *XML Information Set*. See <http://www.w3.org/TR/xml-infoset>.

ISO/IEC 10646

ISO (International Organization for Standardization). *ISO/IEC 10646-1993 (E). Information technology 8212; Universal212; Universal Multiple-Octet Coded Character Set (UCS) 8212; Part 1:212; Part 1: Architecture and Basic Multilingual Plane*. [Geneva]: International Organization for Standardization, 1993 (plus amendments AM 1 through AM 7).

Java

Sun *The Java Language Specification*. See <http://java.sun.com/docs/books/jls>.

JavaIDL

Sun *Java IDL*. See <http://java.sun.com/products/jdk/1.2/docs/guide/idl>.

JavaScript

Netscape *JavaScript Resources*. See <http://developer.netscape.com/tech/javascript/resources.html>.

ContentTypes

Registered Content Types. See <ftp://ftp.isi.edu/in-notes/iana/assignments/media-types/>.

MIDL

Microsoft *MIDL Language Reference*. See http://msdn.microsoft.com/library/psdk/midl/mi-laref_1r1h.htm.

Namespaces

W3C (World Wide Web Consortium) *Namespaces in XML*. See <http://www.w3.org/TR/REC-xml-names>.

RFC2396

IETF (Internet Engineering Task Force) *RFC 2396: Uniform Resource Identifiers (URI): Generic Syntax*, eds. T. Berners-Lee, R. Fielding, L. Masinter. August 1998.

Unicode

The Unicode Consortium. *The Unicode Standard, Version 3.0*. To be published in 2000. See Unicode 3.0.

XHTML10

W3C (World Wide Web Consortium) *XHTML 1.0: Extensible HyperText Markup Language, A Reformulation of HTML 4.0 in XML 1.0*. See <http://www.w3.org/TR/xhtml1>.

XML

W3C (World Wide Web Consortium) *Extensible Markup Language (XML) 1.0*. See <http://www.w3.org/TR/REC-xml>.

XML-StyleSheet

W3C (World Wide Web Consortium) *Associating Style Sheets with XML documents Version 1.0*. See <http://www.w3.org/TR/xml-stylesheet>.

Objects Index

Document Object Model Core

Attr, 57	CDATASection, 69	CharacterData, 53
Comment, 68	DOMException, 24	DOMImplementation, 26
DOMString, 21	DOMTimeStamp, 22	Document, 29
DocumentFragment, 29	DocumentType, 69	Element, 59
Entity, 71	EntityReference, 72	ExceptionCode, 25
NamedNodeMap, 49	Node, 39	NodeList, 48
Notation, 71	ProcessingInstruction, 73	Text, 67

Document Object Model HTML

HTMLAnchorElement, 105	HTMLAppletElement, 110	HTMLAreaElement, 112
HTMLBRElement, 102	HTMLBaseElement, 85	HTMLBaseFontElement, 103
HTMLBodyElement, 86	HTMLButtonElement, 97	HTMLCollection, 77
HTMLDListElement, 100	HTMLDOMImplementation, 76	HTMLDirectoryElement, 100
HTMLDivElement, 101	HTMLDocument, 78	HTMLElement, 82
HTMLFieldSetElement, 98	HTMLFontElement, 103	HTMLFormElement, 87
HTMLFrameElement, 123	HTMLFrameSetElement, 123	HTMLHRElement, 104
HTMLHeadElement, 83	HTMLHeadingElement, 102	HTMLHtmlElement, 83
HTMLIFrameElement, 124	HTMLImageElement, 106	HTMLInputElement, 92
HTMLIsIndexElement, 86	HTMLLIElement, 101	HTMLLabelElement, 98
HTMMLegendElement, 98	HTMMLinkElement, 83	HTMLMapElement, 111
HTMLMenuElement, 100	HTMLMetaElement, 85	HTMLModElement, 104
HTMLOListElement, 99	HTMLObjectElement, 108	HTMLOptGroupElement, 91
HTMLOptionElement, 91	HTMLParagraphElement, 101	HTMLParamElement, 110
HTMLPreElement, 102	HTMLQuoteElement, 102	HTMLScriptElement, 113
HTMLSelectElement, 88	HTMLStyleElement, 86	HTMLTableCaptionElement, 117
HTMLTableCellElement, 121	HTMLTableColElement, 117	HTMLTableElement, 113
HTMLTableRowElement, 120	HTMLTableSectionElement, 118	HTMLTextAreaElement, 95
HTMLTitleElement, 84	HTMLULListElement, 99	

Document Object Model Views

AbstractView, 127 DocumentView, 128

Document Object Model StyleSheets

DocumentStyle, 133 LinkStyle, 133 MediaList, 131
 StyleSheet, 129 StyleSheetList, 130

Document Object Model CSS

CSS2Azimuth, 165	CSS2BackgroundPosition, 167	CSS2BorderSpacing, 170
CSS2CounterIncrement, 173	CSS2CounterReset, 173	CSS2Cursor, 174
CSS2FontFaceSrc, 178	CSS2FontFaceWidths, 178	CSS2PageSize, 179
CSS2PlayDuring, 175	CSS2Properties, 182	CSS2TextShadow, 176
CSSCharsetRule, 144	CSSFontFaceRule, 142	CSSImportRule, 143
CSSMediaRule, 140	CSSPageRule, 143	CSSPrimitiveValue, 149
CSSRule, 138	CSSRuleList, 138	CSSStyleDeclaration, 145
CSSStyleRule, 140	CSSStyleSheet, 136	CSSUnknownRule, 144
CSSValue, 148	CSSValueList, 156	Counter, 157
DOMImplementationCSS, 160	DocumentCSS, 159	ElementCSSInlineStyle, 161
RGBColor, 156	Rect, 157	ViewCSS, 158

Document Object Model Events

DocumentEvent, 231	Event, 227	EventException, 230
EventExceptionCode, 230	EventListener, 226	EventTarget, 224
MouseEvent, 234	MutationEvent, 239	UIEvent, 232

Document Object Model Traversal

DocumentTraversal, 263	NodeFilter, 256	NodeIterator, 254
TreeWalker, 260		

Document Object Model Range

DocumentRange, 289	Range, 278	RangeException, 290
RangeExceptionCode, 290		

Index

- abbr 122
- acceptCharset 88
- action 88
- align 93, 99, 101, 101, 102, 104, 107, 108, 110, 114, 117, 118, 118, 120, 122, 125
- altKey 235
- appendChild 44
- archive 108, 111
- Attr 57
- attrName 239
- azimuthType 165

- background 87, 190
- backgroundImage 190
- BAD_BOUNDARYPOINTS_ERR 290
- blue 157
- border 107, 108, 114, 191
- borderBottomStyle 192
- borderColor 193
- borderLeftStyle 193
- borderRightColor 194
- borderSpacing 195
- borderTopColor 196
- borderWidth 196
- BUBBLING_PHASE 228

- cancelable 228
- CAPTURING_PHASE 228
- cellIndex 122
- cellSpacing 114
- charset 84, 105, 113
- childNodes 42

- AbstractView 127
- acceptNode 260
- add 90
- aLink 87
- anchors 79
- appendData 55
- areas 112
- ATTRIBUTE_NODE 41
- axis 122

- backgroundAttachment 190
- backgroundPosition 191
- behind 165
- blur 176, 90, 94, 96, 106
- borderBottom 191
- borderBottomWidth 192
- borderLeft 193
- borderLeftWidth 194
- borderRightStyle 194
- borderStyle 195
- borderTopStyle 196
- bottom 157, 197
- button 235

- caption 114
- CDATA_SECTION_NODE 41
- cellPadding 114
- ch 118, 118, 120, 122
- CHARSET_RULE 139
- chOff 118, 118, 120, 122

- accept 93
- accessKey 93, 95, 97, 98, 99, 105, 112
- addEventListener 224
- alt 93, 107, 111, 112
- append 132
- applets 79
- AT_TARGET 228
- attributes 42
- azimuth 190

- backgroundColor 190
- backgroundRepeat 191
- bgColor 87, 114, 120, 122
- body 79
- borderBottomColor 192
- borderCollapse 192
- borderLeftColor 193
- borderRight 194
- borderRightWidth 195
- borderTop 195
- borderTopWidth 196
- bubbles 228

- captionSide 197
- CDATASection 69
- cells 120
- CharacterData 53
- checked 93
- cite 102, 104

Index

className 82
clientX 235
cloneContents 281
close 80
codeType 108
color 103, 103, 176, 198
Comment 68
compact 99, 100, 100, 100, 101
cookie 79
counterIncrement 198
createAttributeNS 31
createComment 33
createDocumentFragment 33
createElementNS 34
createHTMLDocument 77
createRange 290
createTHead 116
CSS2BackgroundPosition 167
CSS2CounterReset 173
CSS2FontFaceWidths 178
CSS2Properties 182
CSS_CM 150
CSS_DEG 150
CSS_EXS 150
CSS_IDENT 150
CSS_KHZ 150
CSS_NUMBER 150
CSS_PRIMITIVE_VALUE 148
CSS_RAD 150
CSS_S 150
CSS_URI 150
cssFloat 199
CSSMediaRule 140
CSSRule 138
clear 103, 197
clientY 235
cloneNode 45
code 108, 111
collapse 282
cols 96, 123
COMMENT_NODE 41
compareBoundaryPoints 282
coords 105, 112
counterReset 198
createCaption 115
createCSSStyleSheet 160
createDocumentType 27
createEntityReference 35
createNodeIterator 264
createTextNode 36
createTreeWalker 265
CSS2BorderSpacing 170
CSS2Cursor 174
CSS2PageSize 179
CSS2TextShadow 176
CSS_COUNTER 150
CSS_DIMENSION 150
CSS_GRAD 150
CSS_IN 150
CSS_MM 150
CSS_PC 150
CSS_PT 150
CSS_RECT 150
CSS_STRING 150
CSS_VALUE_LIST 148
CSSFontFaceRule 142
CSSPageRule 143
CSSRuleList 138
click 95
clip 197
cloneRange 281
codeBase 108, 111
collapsed 280
colSpan 122
commonAncestorContainer 280
content 85, 198
Counter 157
createAttribute 31
createCDATASection 32
createDocument 26
createElement 33
createEvent 231
createProcessingInstruction 35
createTFoot 115
CSS2Azimuth 165
CSS2CounterIncrement 173
CSS2FontFaceSrc 178
CSS2PlayDuring 175
CSS_ATTR 150
CSS_CUSTOM 148
CSS_EMS 150
CSS_HZ 150
CSS_INHERIT 148
CSS_MS 150
CSS_PERCENTAGE 150
CSS_PX 150
CSS_RGBCOLOR 150
CSS_UNKNOWN 150
CSSCharsetRule 144
CSSImportRule 143
CSSPrimitiveValue 149
cssRules 136, 141

Index

<p>CSSStyleDeclaration 145</p> <p>cssText 139, 145, 149</p> <p>CSSValueList 156</p> <p>cueAfter 199</p> <p>cursor 200</p>	<p>CSSStyleRule 140</p> <p>CSSUnknownRule 144</p> <p>ctrlKey 235</p> <p>cueBefore 199</p>	<p>CSSStyleSheet 136</p> <p>CSSValue 148</p> <p>cue 199</p> <p>currentNode 228, 261</p>
<p>data 54, 73, 109</p> <p>defaultChecked 93</p> <p>defaultView 128</p> <p>deleteCaption 116</p> <p>deleteData 55</p> <p>deleteTFoot 116</p> <p>detail 232</p> <p>disabled 84, 86, 89, 91, 92, 93, 96, 97, 129</p> <p>doctype 30</p> <p>DOCUMENT_FRAGMENT_NODE 41</p> <p>DocumentCSS 159</p> <p>DocumentFragment 29</p> <p>DocumentTraversal 263</p> <p>domain 79</p> <p>DOMImplementationCSS 160</p> <p>DOMTimeStamp 22</p>	<p>dateTime 105</p> <p>defaultSelected 91</p> <p>defer 113</p> <p>deleteCell 121</p> <p>deleteRow 116, 119</p> <p>deleteTHead 116</p> <p>dir 83</p> <p>dispatchEvent 225</p> <p>Document 29</p> <p>DOCUMENT_NODE 41</p> <p>documentElement 30</p> <p>DocumentRange 289</p> <p>DocumentType 69</p> <p>DOMException 24</p> <p>DOMString 21</p>	<p>declare 109</p> <p>defaultValue 93, 96</p> <p>delete 132</p> <p>deleteContents 282</p> <p>deleteRule 136, 141</p> <p>detach 255, 283</p> <p>direction 200</p> <p>display 200</p> <p>document 128</p> <p>DOCUMENT_TYPE_NODE 41</p> <p>DocumentEvent 231</p> <p>DocumentStyle 133</p> <p>DocumentView 128</p> <p>DOMImplementation 26</p> <p>DOMSTRING_SIZE_ERR 25</p>
<p>Element 59</p> <p>elements 88</p> <p>emptyCells 201</p> <p>END_TO_END 279</p> <p>endOffset 280</p> <p>ENTITY_NODE 41</p> <p>Event 227</p> <p>EventListener 226</p> <p>expandEntityReferences 255, 261</p>	<p>ELEMENT_NODE 41</p> <p>elevation 200</p> <p>encoding 144</p> <p>END_TO_START 279</p> <p>entities 70</p> <p>ENTITY_REFERENCE_NODE 41</p> <p>event 113</p> <p>eventPhase 229</p> <p>extractContents 283</p>	<p>ElementCSSInlineStyle 161</p> <p>contentDocument 109, 123, 125</p> <p>enctype 88</p> <p>endContainer 280</p> <p>Entity 71</p> <p>EntityReference 72</p> <p>EventException 230</p> <p>EventTarget 224</p>

Index

face 103, 103
FILTER_REJECT 257
focus 90, 95, 97, 106
fontFaceName 178
fontSizeAdjust 202
fontVariant 202
format 178
frameBorder 124, 125

getAngleValue 166
getAttributeNodeNS 61
getCounterValue 152
getElementsByTagName 37, 61
getHeightSize 180
getNamedItem 50
getPropertyCSSValue 146
getRectValue 153
getVerticalPosition 168
green 157

handleEvent 227
hasChildNodes 45
height 107, 109, 111, 122, 125, 203
horizontal 176
href 84, 85, 105, 112, 130, 143
HTMLAnchorElement 105
HTMLBaseElement 85
HTMLBRElement 102
HTMLDirectoryElement 100
HTMLDocument 78
HTMLFieldSetElement 98
HTMLFormElement 87
HTMLHeadElement 83
filter 255, 261
FILTER_SKIP 257
font 201
fontFamily 201
fontStretch 202
fontWeight 203
forms 79

getAttribute 60
getAttributeNS 60
getElementById 36
getElementsByTagNameNS 37, 62
getHorizontalPosition 168
getNamedItemNS 50
getPropertyPriority 146
getRGBColorValue 153
getVerticalSpacing 171
hasAttribute 62
hasFeature 28
heightType 180
horizontalIdentifier 168
hreflang 84, 105
HTMLAppletElement 110
HTMLBaseFontElement 103
HTMLButtonElement 97
HTMLDivElement 101
HTMLDOMImplementation 76
HTMLFontElement 103
HTMLFrameElement 123
HTMLHeadingElement 102
FILTER_ACCEPT 257
firstChild 42, 261
FONT_FACE_RULE 139
fontSize 201
fontStyle 202
form 86, 89, 92, 94, 96, 97, 98, 98, 99, 109
frame 115

getAttributeNode 61
getComputedStyle 158
getElementsByName 80
getFloatValue 153
getHorizontalSpacing 171
getOverrideStyle 159
getPropertyValue 146
getStringValue 154
getWidth 180
hasAttributeNS 63
headers 122
HIERARCHY_REQUEST_ERR 25
horizontalType 168, 171
hspace 107, 109, 111
HTMLAreaElement 112
HTMLBodyElement 86
HTMLCollection 77
HTMLDLListElement 100
HTMLFormElement 82
htmlFor 98, 113
HTMLFormSetElement 123
HTMLHRElement 104

Index

<p>HTMLHtmlElement 83</p> <p>HTMLInputElement 92</p> <p>HTMLLegendElement 98</p> <p>HTMLMapElement 111</p> <p>HTMLModElement 104</p> <p>HTMLOptGroupElement 91</p> <p>HTMLParamElement 110</p> <p>HTMLScriptElement 113</p> <p>HTMLTableCaptionElement 117</p> <p>HTMLTableElement 113</p> <p>HTMLTextAreaElement 95</p> <p>httpEquiv 85</p> <p>id 83</p> <p>implementation 31</p> <p>increment 174</p> <p>initEvent 229</p> <p>initUIEvent 233</p> <p>insertData 55</p> <p>insertRule 137, 141</p> <p>INVALID_ACCESS_ERR 25</p> <p>INVALID_NODE_TYPE_ERR 290</p> <p>item 49, 51, 77, 131, 132, 138, 147, 156</p> <p>label 91, 92</p> <p>left 157, 203</p> <p>lineHeight 204</p> <p>LinkStyle 133</p> <p>listStylePosition 204</p> <p>longDesc 107, 124, 125</p> <p>margin 205</p>	<p>HTMLIFrameElement 124</p> <p>HTMLIsIndexElement 86</p> <p>HTMLLIElement 101</p> <p>HTMLMenuElement 100</p> <p>HTMLObjectElement 108</p> <p>HTMLOptionElement 91</p> <p>HTMLPreElement 102</p> <p>HTMLSelectElement 88</p> <p>HTMLTableCellElement 121</p> <p>HTMLTableRowElement 120</p> <p>HTMLTitleElement 84</p> <p>identifier 158, 166, 173, 174, 180</p> <p>IMPORT_RULE 139</p> <p>index 92</p> <p>initMouseEvent 236</p> <p>insertBefore 46</p> <p>insertNode 284</p> <p>internalSubset 70</p> <p>INVALID_CHARACTER_ERR 25</p> <p>INVALID_STATE_ERR 25</p> <p>lang 83</p> <p>length 49, 50, 54, 77, 88, 89, 131, 131, 138, 145, 156</p> <p>link 87</p> <p>listStyle 158, 204</p> <p>listStyleType 205</p> <p>lowSrc 107</p> <p>marginBottom 205</p>	<p>HTMLImageElement 106</p> <p>HTMLLabelElement 98</p> <p>HTMLLinkElement 83</p> <p>HTMLMetaElement 85</p> <p>HTMLOLListElement 99</p> <p>HTMLParagraphElement 101</p> <p>HTMLQuoteElement 102</p> <p>HTMLStyleElement 86</p> <p>HTMLTableColElement 117</p> <p>HTMLTableSectionElement 118</p> <p>HTMLULListElement 99</p> <p>images 79</p> <p>importNode 37</p> <p>INDEX_SIZE_ERR 25</p> <p>initMutationEvent 240</p> <p>insertCell 121</p> <p>insertRow 117, 119</p> <p>INUSE_ATTRIBUTE_ERR 25</p> <p>INVALID_MODIFICATION_ERR 25</p> <p>isMap 107</p> <p>lastChild 42, 262</p> <p>letterSpacing 203</p> <p>links 79</p> <p>listStyleImage 204</p> <p>localName 42</p> <p>marginHeight 124, 125</p>
---	---	---

Index

marginLeft 205
marginWidth 124, 125
maxHeight 207
media 84, 86, 130, 141, 143
mediaText 131
minHeight 207
MouseEvent 234

name 58, 70, 85, 88, 89, 94, 96, 97, 105, 107, 109, 110, 111, 112, 124, 125
NAMESPACE_ERR 25
nextNode 256, 262
NO_MODIFICATION_ALLOWED_ERR 25
NodeIterator 254
nodeType 43
noResize 124
NOT_FOUND_ERR 25
NOTATION_NODE 41
noWrap 122

object 111
orphans 208
outlineStyle 208
ownerDocument 43
ownerRule 136

padding 209
paddingRight 210
PAGE_RULE 139
pageBreakInside 211
parentStyleSheet 130, 140
pauseBefore 212
playDuring 213
position 213

marginRight 206
markerOffset 206
maxLength 94
MEDIA_RULE 139
metaKey 235
minWidth 207
multiple 89

namedItem 78
namespaceURI 43
nextSibling 43, 262
Node 39
NodeList 48
nodeValue 43
normalize 46
NOT_SUPPORTED_ERR 25
notationName 72
numbers 179

open 80
outline 208
outlineWidth 209
ownerElement 58

paddingBottom 209
paddingTop 210
pageBreakAfter 211
parentNode 43, 262
pause 211
pitch 212
playDuringIdentifier 175
predefinedCursor 174

marginTop 206
marks 206
maxWidth 207
MediaList 131
method 88
mix 175
MutationEvent 239

NamedNodeMap 49
newValue 239
NO_DATA_ALLOWED_ERR 25
NodeFilter 256
nodeName 43
noHref 112
noShade 104
Notation 71
notations 71

options 89
outlineColor 208
overflow 209
ownerNode 130

paddingLeft 210
page 210
pageBreakBefore 211
parentRule 139, 146
pauseAfter 212
pitchRange 212
playDuringType 175
prefix 44

Index

preventDefault 230
prevValue 239
ProcessingInstruction 73
publicId 71, 71, 72

quotes 213

Range 278
Rect 157
rel 84, 105
removeAttribute 63
removeChild 47
removeNamedItemNS 51
replaceChild 47
rev 84, 106
right 157, 214
rows 96, 115, 119, 123

scheme 85
screenY 236
select 95, 97
selectNode 284
separator 158
setAttributeNode 66
setEnd 285
setFloatValue 154
setHorizontalSpacing 172
setNamedItemNS 53
setStart 287
setStringValue 155
setWidthSize 182
shiftKey 236
SHOW_CDATA_SECTION 258

previousNode 256, 263
primitiveType 152
profile 83

RangeException 290
red 157
relatedNode 235, 240
removeAttributeNode 64
removeEventListener 226
removeProperty 147
replaceData 56
RGBColor 156
root 255, 261
rowSpan 122

scope 123
scrolling 124, 125
selected 92
selectNodeContents 285
setAngleValue 166
setAttributeNodeNS 67
setEndAfter 286
setHeightSize 181
setIdentifier 167, 181
setPositionIdentifier 169
setStartAfter 287
setVerticalPosition 170
shape 106, 112
SHOW_ALL 258
SHOW_COMMENT 258

previousSibling 44, 263
PROCESSING_INSTRUCTION_NODE 41
prompt 86

readOnly 94, 96
referrer 80
remove 91
removeAttributeNS 63
removeNamedItem 51
repeat 176
reset 173, 88
richness 213
rowIndex 120
rules 115

screenX 236
sectionRowIndex 120
selectedIndex 89
selectorText 140, 143
setAttribute 64
setAttributeNS 65
setEndBefore 286
setHorizontalPosition 169
setNamedItem 52
setProperty 148
setStartBefore 288
setVerticalSpacing 172
sheet 133
SHOW_ATTRIBUTE 258
SHOW_DOCUMENT 258

Index

SHOW_DOCUMENT_FRAGMENT 258	SHOW_DOCUMENT_TYPE 258	SHOW_ELEMENT 258
SHOW_ENTITY 258	SHOW_ENTITY_REFERENCE 258	SHOW_NOTATION 258
SHOW_PROCESSING_INSTRUCTION 258	SHOW_TEXT 258	size 90, 94, 103, 104, 104, 214
span 118	speak 214	speakHeader 214
speakNumeral 215	speakPunctuation 215	specified 58
speechRate 215	splitText 68	src 94, 107, 113, 124, 125
standby 109	start 100	START_TO_END 279
START_TO_START 279	startContainer 281	startOffset 281
stopPropagation 230	stress 215	style 140, 142, 143, 161
STYLE_RULE 139	styleSheet 144	StyleSheet 129
StyleSheetList 130	styleSheets 133	submit 88
substringData 56	summary 115	supports 48
surroundContents 288	SYNTAX_ERR 25	systemId 71, 71, 72
tabIndex 90, 94, 96, 97, 106, 109, 112	tableLayout 216	tagName 60
target 73, 84, 85, 88, 106, 113, 229	tBodies 115	Text 67
text 85, 87, 92, 113	TEXT_NODE 41	textAlign 216
textDecoration 216	textIndent 216	textShadow 217
textTransform 217	tFoot 115	tHead 115
timeStamp 229	title 80, 83, 130	top 157, 217
toString 289	TreeWalker 260	type 84, 86, 90, 94, 96, 98, 99, 100, 101, 106, 109, 110, 113, 130, 140, 229
UIEvent 232	unicodeBidi 217	UNKNOWN_RULE 139
UNSPECIFIED_EVENT_TYPE_ERR 230	urange 179	uri 176, 178
uris 174	URL 79	useMap 94, 107, 109
vAlign 118, 119, 120, 123	value 58, 90, 92, 94, 96, 98, 101, 110	valueType 110, 149
version 83	vertical 176	verticalAlign 218
verticalIdentifier 168	verticalType 168, 171	view 233
ViewCSS 158	visibility 218	vLink 87

Index

voiceFamily 218

width 102, 104, 107, 109, 111, 115, 118, 123, 125, 219

write 80

zIndex 220

volume 218

whiteSpace 219

widthType 180

writeln 81

vspace 107, 109, 111

widows 219

wordSpacing 219

WRONG_DOCUMENT_ERR 25